

Where to Find Information

This Startup Guide

Provides you with the basic information you need to start using your EPSON STYLUS PRO 7000 and its optional and consumable products.

Online Guide (may not be available in some countries)

Provides you with detailed information about printing on roll paper or cut sheet media, the control panel, the printer software, and tips that will help you get the results you want. You can view this guide directly from the CD-ROM, or install it into your computer and view it from your hard disk.

Note:

Microsoft Internet Explorer 4.0 or later, or Netscape Navigator 4.0 or later, must be installed in your computer to read the online guide.

Online Help

Provides you with detailed information and instructions on the printer software that controls your printer. (Online help will be automatically installed when you install the printer software.) See your *Online Guide* for information on accessing online help.

EPSON STYLUS™ PRO 7000

Color Ink Jet Printer

All rights reserved. No part of this publication may be reproduced, stored in a retrieval system, or transmitted in any form or by any means, electronic, mechanical, photocopying, recording, or otherwise, without the prior written permission of SEIKO EPSON CORPORATION. The information contained herein is designed only for use with this EPSON printer. EPSON is not responsible for any use of this information as applied to other printers.

Neither SEIKO EPSON CORPORATION nor its affiliates shall be liable to the purchaser of this product or third parties for damages, losses, costs, or expenses incurred by the purchaser or third parties as a result of: accident, misuse, or abuse of this product or unauthorized modifications, repairs, or alterations to this product, or (excluding the U.S.) failure to strictly comply with SEIKO EPSON CORPORATION's operating and maintenance instructions.

SEIKO EPSON CORPORATION shall not be liable for any damages or problems arising from the use of any options or any consumable products other than those designated as Original EPSON Products or EPSON Approved Products by SEIKO EPSON CORPORATION.

SEIKO EPSON CORPORATION shall not be held liable for any damage resulting from electromagnetic interference that occurs from the use of any interface cables other than EPSON Approved Products by SEIKO EPSON CORPORATION.

EPSON is a registered trademark and ESC/P Raster and EPSON STYLUS are trademarks of SEIKO EPSON CORPORATION.

Microsoft and Windows are registered trademarks of Microsoft Corporation.

General Notice: Other product names used herein are for identification purposes only and may be trademarks of their respective owners. EPSON disclaims any and all rights in those marks.

Copyright © 2000 by SEIKO EPSON CORPORATION, Nagano, Japan.



Printed on Recycled Paper.

Startup Guide

Contents

Safety Instructions

Important Safety Instructions	1
A Few Precautions	3
ENERGY STAR Compliance	4
Warnings, Cautions, and Notes	4

Taking a Look at Your Printer

Front view	6
Rear view	6

Chapter 1 Setting up the Printer with Your Computer

Connecting the Printer	1-2
Using the built-in parallel interface for PCs	1-2
Using a USB connection	1-3
Using an optional interface card	1-4
Installing the Printer Software	1-8
For Windows	1-8
For Macintosh	1-11
Setting up Your Printer on a Network	1-14
For Windows 95 and 98	1-14
For Windows NT 4.0	1-18
For Macintosh	1-22

Chapter 2 Printing and Printer Management

Loading Roll Paper	2-2
Attaching the roll paper to the printer	2-2
Loading the roll paper	2-6
Loading Cut Sheet Media	2-10

Loading cut sheet media longer than 483 mm (long edge of Super A3/B size)	2-10
Loading cut sheet with a length of 483 mm (long edge of Super A3/B) or shorter.	2-13
Printing from Your PC	2-14
Making the printer driver settings.	2-14
Cancelling printing from your PC	2-19
Printing from Your Macintosh.	2-20
Making the printer driver settings.	2-20
Cancelling printing from your Macintosh	2-23

Chapter 3 Checking the Printer's Condition

Using Printer Utilities	3-2
Accessing the printer utilities	3-2
Printing the Nozzle Check Pattern	3-3
Cleaning the Print Heads	3-4
Aligning the Print Heads	3-6

Safety Instructions

Important Safety Instructions

Read all of these instructions before using your printer. Also be sure to follow all warnings and instructions marked on the printer.

- ❑ Do not block or cover the openings in the printer's cabinet.
- ❑ Do not insert objects through the slots. Take care not to spill liquid on the printer.
- ❑ Use only the type of power source indicated on the printer's label.
- ❑ Connect all equipment to properly grounded power outlets. Avoid using outlets on the same circuit as photocopiers or air control systems that regularly switch on and off.
- ❑ Avoid electrical outlets controlled by wall switches or automatic timers.
- ❑ Keep the entire computer system away from potential sources of electromagnetic interference, such as loudspeakers or the base units of cordless telephones.
- ❑ Do not use a damaged or frayed power cord.
- ❑ If you use an extension cord with the printer, make sure the total ampere rating of the devices plugged into the extension cord does not exceed the cord's ampere rating. Also, make sure the total ampere rating of all devices plugged into the wall outlet does not exceed the wall outlet's ampere rating.
- ❑ Do not attempt to service the printer yourself.

- ❑ Unplug the printer and refer servicing to qualified service personnel under the following conditions:

The power cord or plug is damaged; liquid has entered the printer; the printer has been dropped or the cabinet damaged; the printer does not operate normally or exhibits a distinct change in performance.

A Few Precautions

When using the printer

- ❑ Do not put your hand inside the printer or touch the ink cartridges during printing.
- ❑ Do not move the print heads by hand; otherwise you may damage the printer.
- ❑ Always turn the printer off using the Power button on the control panel. When this button is pressed, the Operate light flashes briefly then goes off. Do not unplug the printer or turn off the power to the outlet until the Operate light stops flashing.
- ❑ Before transporting the printer, make sure the print heads are in the home (far right) position and the ink cartridges are in place.

When handling the ink cartridges

- ❑ Keep ink cartridges out of the reach of children and do not drink.
- ❑ If ink gets on your skin, wash it off with soap and water. If it gets in your eyes, flush them immediately with water.
- ❑ Do not shake ink cartridges as this can cause leakage.
- ❑ Once you install an ink cartridge, do not remove the cartridge except to replace it with a new one. The printer may not determine the correct level of ink remaining.
- ❑ Do not use an ink cartridge beyond the date printed on the cartridge carton.
- ❑ Do not dismantle the ink cartridges or try to refill them. This could damage the print heads.

When choosing a place for the printer

- ❑ Place the printer on a flat, stable surface that is larger than the printer. The printer will not operate properly if it is tilted or at an angle.
- ❑ Avoid places subject to rapid changes in temperature and humidity. Also keep it away from direct sunlight, strong light, or heat sources.
- ❑ Avoid places subject to shocks and vibrations.
- ❑ Place the printer near a wall outlet where the plug can be easily unplugged.

ENERGY STAR Compliance



As an ENERGY STAR Partner, EPSON has determined that this product meets the ENERGY STAR guidelines for energy efficiency.

The International ENERGY STAR Office Equipment Program is a voluntary partnership with the computer and office equipment industry to promote the introduction of energy-efficient personal computers, monitors, printers, fax machines, and copiers in an effort to reduce air pollution caused by power generation.

Warnings, Cautions, and Notes



Warnings must be followed carefully to avoid bodily injury.

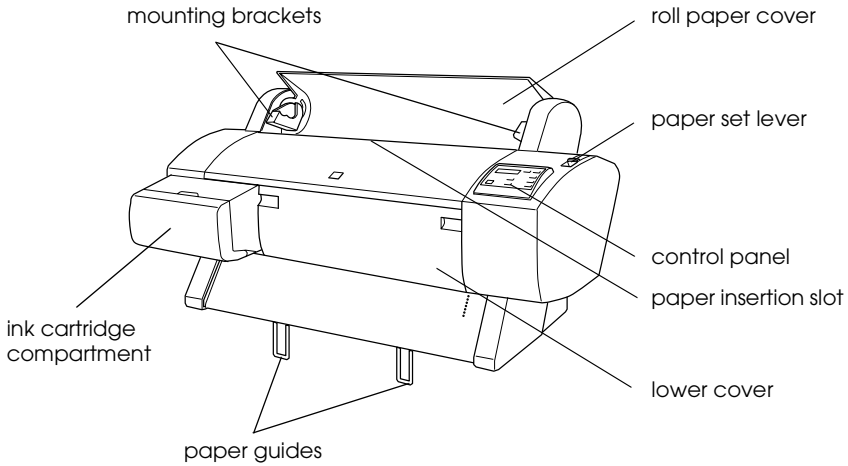


Cautions
must be observed to avoid damage to your equipment.

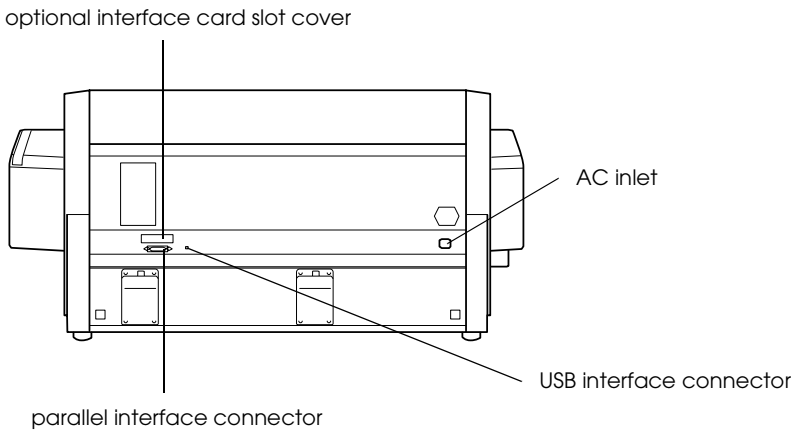
Notes contain important information and useful tips on the operation of your printer.

Taking a Look at Your Printer

Front view



Rear view



Setting up the Printer with Your Computer

Connecting the Printer	1-2
Using the built-in parallel interface for PCs	1-2
Using a USB connection.	1-3
Using an optional interface card	1-4
Installing the Printer Software	1-8
For Windows	1-8
For Macintosh	1-11
Setting up Your Printer on a Network	1-14
For Windows 95 and 98	1-14
For Windows NT 4.0	1-18
For Macintosh	1-22

Connecting the Printer

The method you use to connect the printer to your computer depends on whether you want to send print jobs directly to the printer using the printer's built-in parallel interface or a USB connection, or send print jobs to the printer over a network using an optional interface card. To connect the printer using the built-in parallel interface, see the next section. To connect the printer using a USB connection, see "Using a USB connection" on page 1-3. For information on using optional interface cards, see "Using an optional interface card" on page 1-4.

Using the built-in parallel interface for PCs

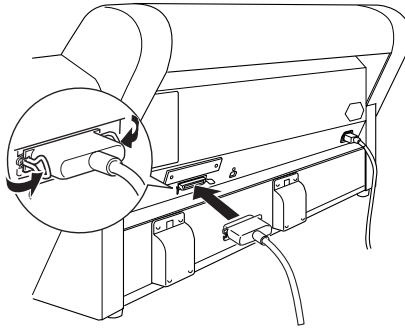
To use the printer's built-in parallel interface, you will need a shielded, twisted-pair cable. Follow the steps below to connect the printer to your computer.

Note:

Before you connect the parallel interface cable, disconnect the USB cable from the printer, if installed.

1. Make sure both the printer and computer are turned off.

2. Plug the cable connector securely into the printer's interface. Then squeeze the wire clips together until they lock into place on both sides. If your cable has a ground wire, connect it to the ground connector beside the interface connector.



3. Plug the other end of the cable into the computer's parallel port. If there is a ground wire at the computer end of the cable, connect it to the ground connector at the back of the computer.

Now see "Installing the Printer Software" on page 1-8. You must install the printer software before using your printer.

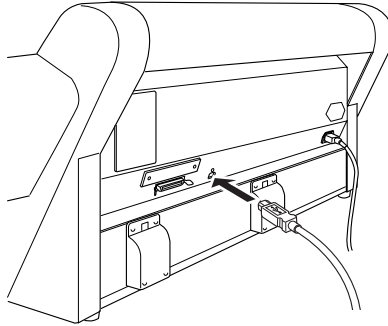
Using a USB connection

To connect the printer to a USB port, you need a standard shielded USB cable. Follow the steps below to connect the printer to your computer.

Note:

- ❑ *The EPSON Printer Port and DMA transfer features (For Windows 95 and 98 only) of the EPSON printer driver you installed are not available with USB connection. They are available only with the parallel interface connection. For information on the EPSON Printer Port and DMA transfer, see the Online Guide.*
- ❑ *You need to select COMPAT in the PARA. I/F setting of SelectType mode. For details, see "SelectType Settings" in the Online Guide.*

1. Make sure both the printer and computer are turned off.
2. Plug the appropriate end of the cable into the USB port on the back of the printer. (The end that fits the printer has a different shape from the end that fits the computer.)



3. Connect the other end of the cable to the computer's USB port.

Now see "Installing the Printer Software" on page 1-8. You must install the printer software before using your printer.

Using an optional interface card

Available optional interface cards

The optional Ethernet Interface Cards listed below let you use your printer on a network. The Ethernet card automatically detects the protocols on your network, so you can print from Windows 95, 98, NT 4.0, and Macintosh on an AppleTalk network.

Type B Ethernet Interface Card (10BASE-T)	C82362*
Type B Ethernet Interface Card (100BASE-TX)	C82363*
IEEE 1394 Interface Card	C82372*

Note:

The asterisk in the product number is a substitute for the last digit, which varies by country.

Installing the optional interface card

To install an optional interface card, follow these steps:

Note:

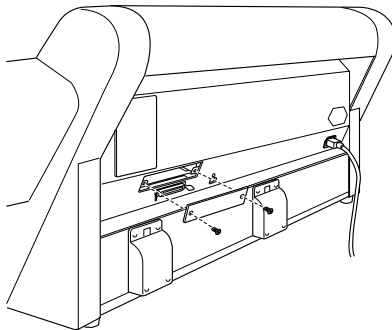
Before you install the optional interface card, see the documentation that comes with the card for setup information.

1. Make sure the printer is turned off.
2. Make sure that the power cord is unplugged from the electrical outlet.

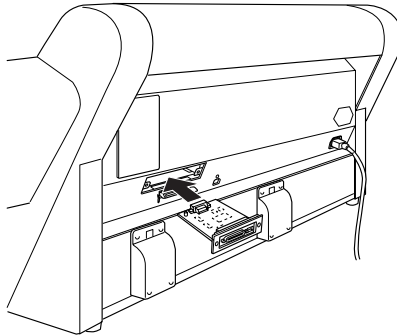
**Warning:**

Do not install the interface card when the printer is connected to an electrical outlet. Doing so may damage the printer.

3. Disconnect the interface cable, if necessary.
4. Use a cross-head screwdriver to remove the two screws securing the shield plate to the optional interface slot, and lift off the plate. Be sure to keep the screws to use when you re-install the shield plate.

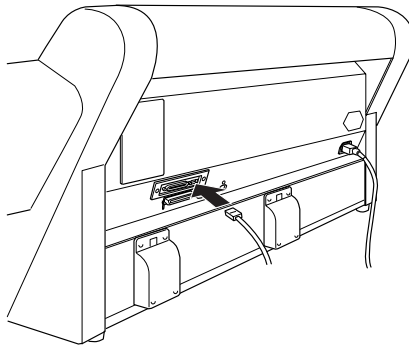


5. Set the DIP switches and jumpers on the card, if necessary. See the interface card's documentation for details.
6. Slide the interface card along the slots on both sides of the interface compartment. Push it in firmly to fully insert the connector at the rear of the interface card into the printer's internal socket.



7. Secure the interface card in the slot with the two screws included with the interface card.
8. Connect a compatible interface cable to the interface card and to your computer. If the cable has a ground wire, secure it with one of the screws.

Also, if you are using more than one computer, reconnect the other interface cable.



9. Make sure the printer is turned off. Then plug in the power cord.

Now see “Installing the Printer Software” on page 1-8 and “Setting up Your Printer on a Network” on page 1-14.

To remove an interface card, follow the above steps in reverse order.

Installing the Printer Software

After connecting the printer to your computer, you need to install the software included on the “Printer Software for EPSON STYLUS PRO 7000” CD-ROM shipped with your printer.

Your printer software includes:

❑ **Printer driver and utilities**

The printer driver runs, or “drives,” your printer; use it to make settings such as print quality, speed, media type, and paper size. The Nozzle Check, Head Cleaning, and Print Head Alignment utilities help you keep your printer in top operating condition. EPSON Status Monitor 3 (for Windows) or EPSON StatusMonitor (for Macintosh) notifies you of printer errors and displays printer status information such as the amount of ink remaining.

❑ **Online guide**

The online *Reference Guide* helps you learn more about your printer.

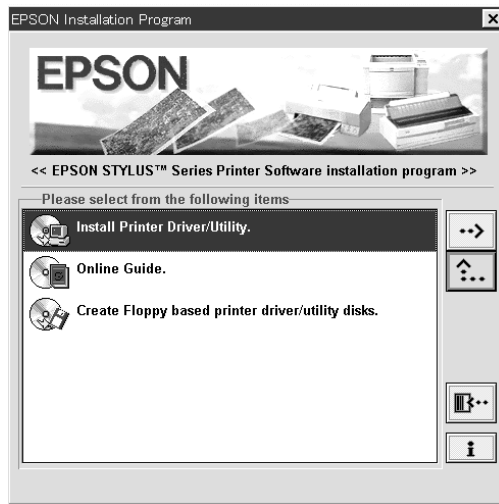
If you are using the floppy disk version of the software, make a backup copy of the EPSON printer software disk before you begin installation. If you wish to make a floppy disk version of the printer software on your CD-ROM, you can use the driver disk creation utility included on the CD-ROM.

For Windows

Follow these steps to install your printer software.

1. Make sure that your printer is off.
2. Turn on your computer and start Windows. If the New Hardware Found screen or any other Wizard appears, click Cancel.

3. Insert the printer software CD-ROM shipped with your printer in the CD-ROM drive. The Installer dialog box appears. (For floppy disk users, insert the disk in the disk drive and double-click the My Computer icon, then the floppy disk drive icon, and then Setup.exe.)
4. Click Install Printer Driver/Utility, then the right arrow, and then OK in the dialog box that appears to start the printer software installation.



5. Windows 95 and NT users should proceed to step 6.

For Windows 98 users, follow the on-screen instructions to turn on your printer. The printer port configuration starts automatically.

For printers connected via USB cable, the USB device driver installation starts automatically at this point.

6. When a message appears informing you that installation is complete, click OK.

Note:

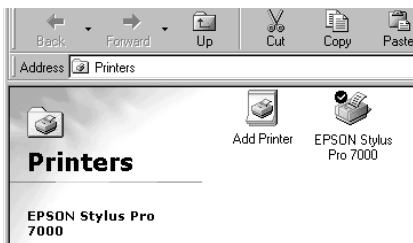
If an error message appears, either the printer driver or the EPSON USB printer device driver is not installed correctly. See “Troubleshooting” in the Online Guide.

For information on opening and using the printer software, see “Printing from Your PC” on page 2-14. If you use your printer on a network, see “Setting up Your Printer on a Network” on page 1-14.

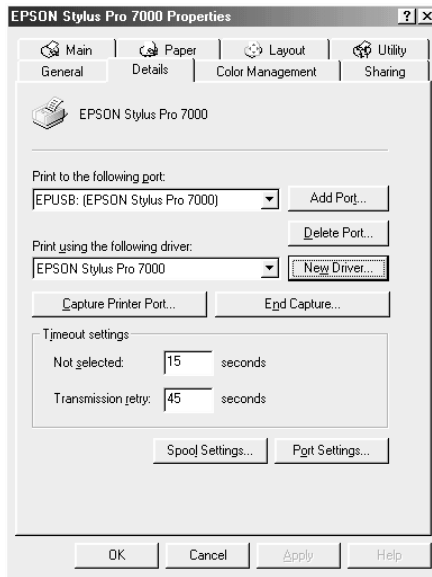
Ensuring that the USB driver is installed correctly in Windows

After the printer software installation is complete, confirm that the USB driver is installed correctly.

1. Click the Start button, point to Settings, and click Printers. Make sure that the icon for your printer appears in the Printers window.
2. Click the icon for your printer, then click Properties on the File menu.



3. Click the Details tab and make sure that EPUSBx: (EPSON Stylus Pro 7000) is displayed in the Print to the following port list box.



Note:

If the correct port is not displayed, refer to the “Troubleshooting” section of the Online Guide.

For Macintosh



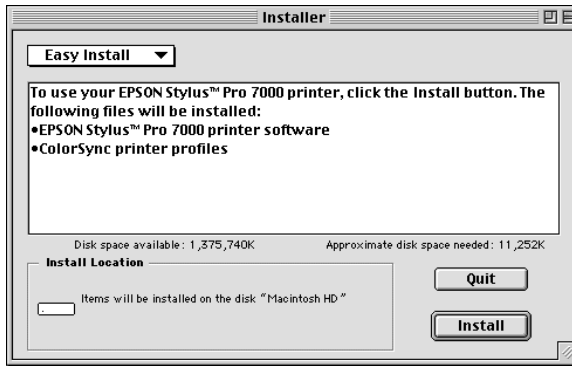
Caution:

Turn off all virus protection programs before you install your printer software.

Follow these steps to install your printer software.

1. Turn on your Macintosh and insert the software CD-ROM shipped with your printer in the CD-ROM drive. The EPSON printer software disk opens automatically.

2. If a single Installer icon appears, double-click the icon. If separate folders containing installer icons for several languages appear, double-click the folder for your preferred language, then double-click the Installer icon inside it.
3. At the initial screen, click Continue. The following dialog box appears.

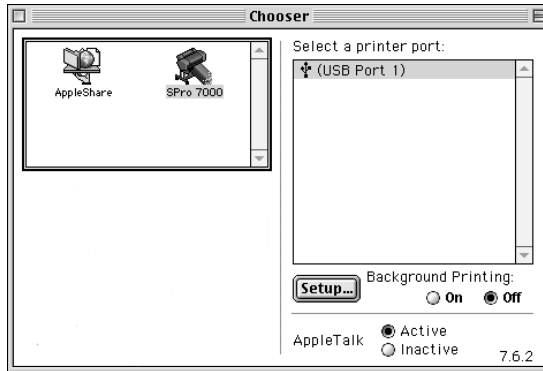


4. To install the printer software included on your printer software CD-ROM, make sure the Install Location box displays the correct disk drive, then click Install.
5. When a message appears informing you that the installation is complete, click Restart to restart your computer.

Selecting your printer in the Chooser for Macintosh

After you have installed the printer software on your Macintosh, you need to open the Chooser and select your printer. You must select a printer the first time you use it or whenever you want to switch to another printer. Your Macintosh will always print using the last printer selected.

1. Select Chooser from the Apple menu. Then click your printer's icon and the port your printer is connected to.



2. Select the appropriate Background Printing radio button to turn background printing on or off.

With background printing on, you can use your Macintosh while it is preparing a document for printing. In order to use the EPSON Monitor3 utility to manage print jobs, background printing must be turned on.

3. Close the Chooser.

For information on opening and using the printer software, see "Printing from Your Macintosh" on page 2-20. If you use your printer on a network, see "Setting up Your Printer on a Network" on page 1-14.

Setting up Your Printer on a Network

For Windows 95 and 98

This section tells you how to set up your printer so that other computers on the network can use it.

First, you need to set up the printer as a shared printer on the computer to which it is connected. Then, you must specify the network path to the printer from each computer that will use it, and install the printer software on those computers.

Note:

This section describes how to use your printer as a shared printer on a network. To connect your printer directly to a network without setting it up as a shared printer, consult your network administrator.

Setting up your printer as a shared printer

Follow these steps to share a printer connected directly to your computer with other computers on a network.

1. Click Start, point to Settings, then click Control Panel.
2. Double-click Network.
3. Click the File and Print Sharing button.

4. Select the I want to be able to allow others to print to my printer(s) check box and click OK.

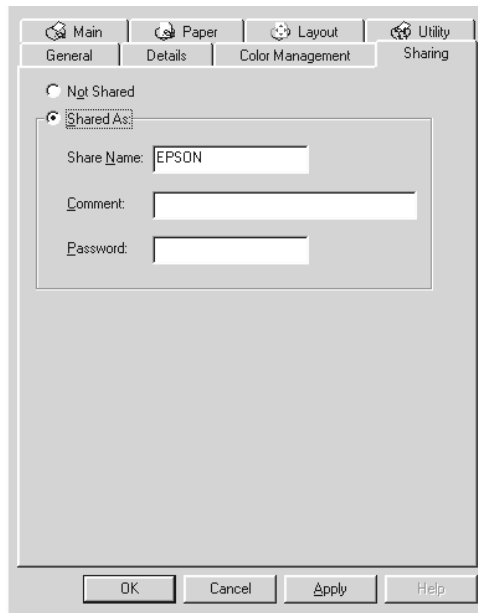


5. In the Network window, click OK.
6. In the Control Panel, double-click Printers.

Note:

- ❑ *If a dialog box requesting the Windows 95 or 98 CD-ROM appears, insert the CD-ROM in the CD-ROM drive, then follow the messages on the screen.*
 - ❑ *If a dialog box appears requesting you to restart your computer, do so. Then open the Printers folder, and continue from step 7.*
7. Select your printer, and choose Sharing on the File menu.

8. Select **Shared As**, enter the printer information as needed, then click **OK**.



Accessing the printer through a network

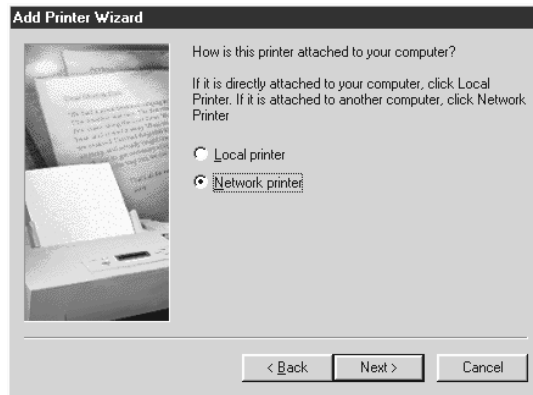
To access your printer from another computer on the network, follow these steps.

Note:

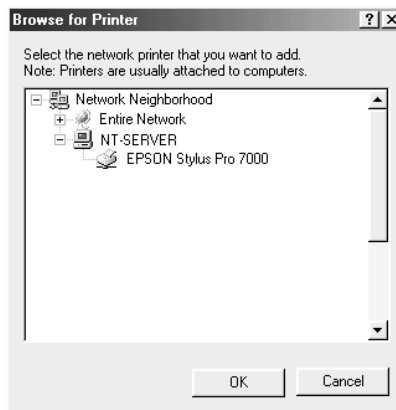
Your printer must be set up as a shared resource on the computer to which it is directly connected before you can access it from another computer. For instructions, see "Setting up your printer as a shared printer" on page 1-14.

1. On the computer from which you want to access the printer, click **Start**, point to **Settings**, and click **Printers**.
2. Double-click the **Add Printer** icon.

3. The Add Printer Wizard screen appears. Click Next.
4. Click Network printer, then click Next.



5. Click Browse.
6. Double-click the icon of the computer that is directly connected to the printer. Then click the printer's icon.



7. Click OK and follow the messages on the screen.

For Windows NT 4.0

Note:

This section is written for small network users only. If you are on a large network and would like to share your printer, consult your network administrator.

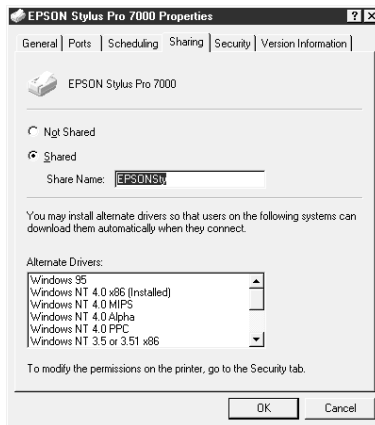
This section tells you how to set up your printer so that other computers on the network can use it.

First, you need to set up the printer as a shared printer on the computer to which it is connected. Then, you must specify the network path to the printer from each computer that will use it, and install the printer software on those computers.

Setting up your printer as a shared printer

Follow these steps to share a printer that is connected directly to your computer with others on a network.

1. Click Start, point to Settings, and click Printers.
2. Select your printer, then click Sharing on the File menu.
3. Click Shared and enter the Share Name.



4. Click OK.

Note:

Do not choose any drivers from the Alternate Drivers list.

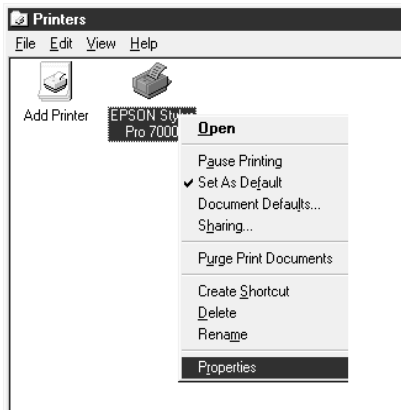
Accessing the printer through a network

To access your printer from another computer on the network, follow these steps.

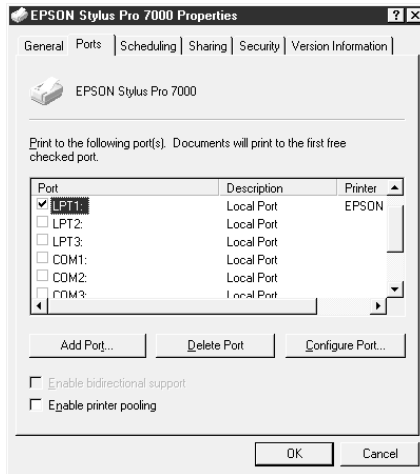
Note:

Your printer must be set up as a shared resource on the computer to which it is directly connected before you can access it from another computer. For instructions, see "Setting up your printer as a shared printer" on page 1-18.

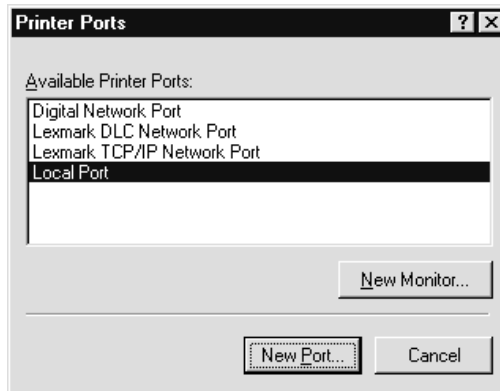
1. Install the printer driver to the client computer from the software CD-ROM.
2. Open the Printer folder from the Control Panel, right-click your printer's icon, then open the Properties for your printer.



3. Click the Ports tab, then click Add Port.



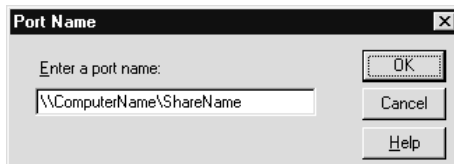
4. The following dialog appears. Select Local Port, then click New Port.



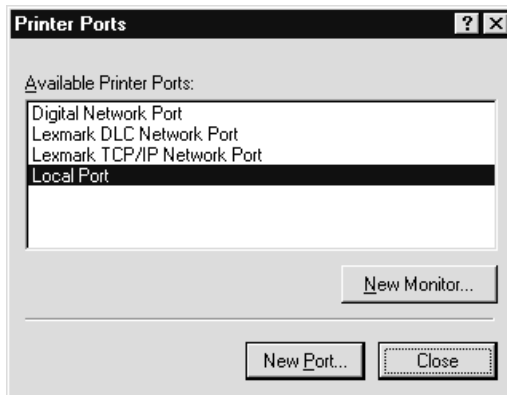
- The following dialog appears. In the text box, type the following information:

\\name of computer that is connected to the printer\name of the shared printer

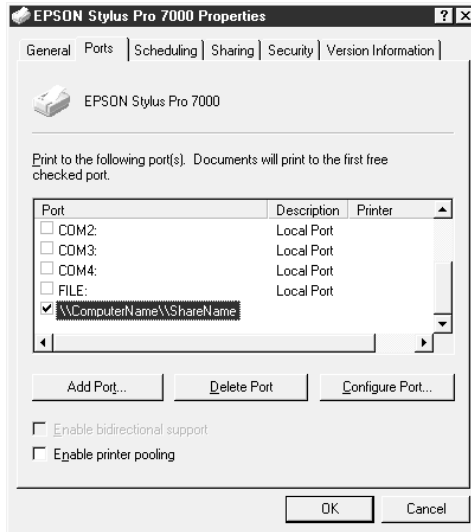
Then click OK.



- In the Printer Ports dialog box, click Close to return to the Ports menu.



7. On the Ports menu, make sure that the new port is added and the check box is selected. Click OK to close the printer driver.



For Macintosh

This section tells you how to set up the printer for use on an AppleTalk network. By setting up your local printer as a shared printer, it becomes connected to the network and can be used by other computers.

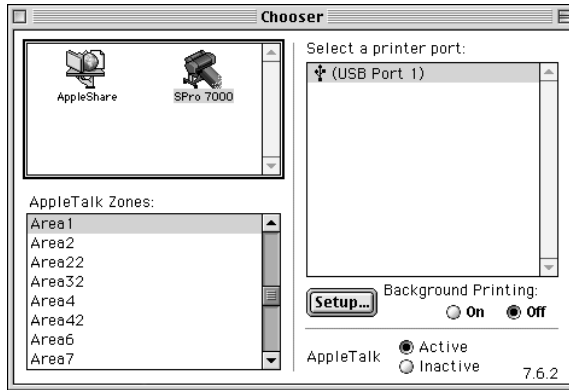
First, you need to setup the printer as a shared printer on the computer to which it is connected. Then, you must specify the network path to the printer from each computer that will use it, and install the printer software on those computers.

Setting up your printer as a shared printer

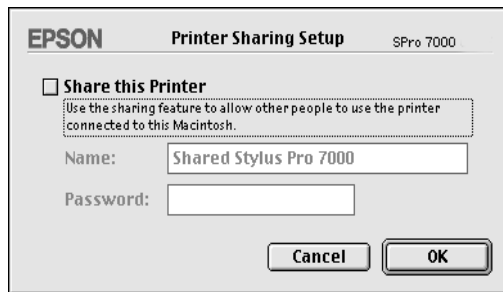
Follow these steps to share a printer connected directly to your computer with other computers on an AppleTalk network.

1. Turn on the printer.

2. Select Chooser from the Apple menu and click the printer's icon. Then select the port to which the printer is connected.



3. Click the Setup button. The following dialog box appears.

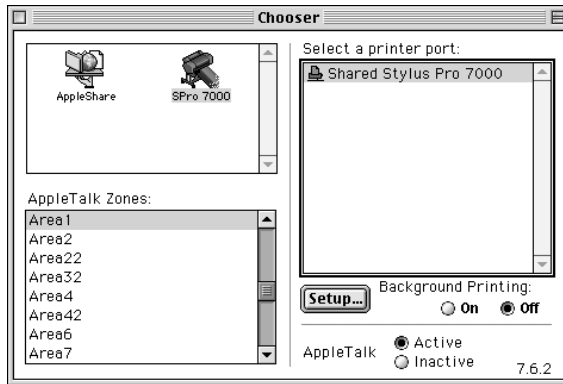


4. Select the Share this Printer check box, then type the printer name and password information as needed.
5. Click OK. The name of the shared printer appears in the port list in the Chooser.
6. Close the Chooser.

Accessing the printer through a network

To access your printer from another computer on the network, follow these steps.

1. Turn on your printer.
2. On each computer from which you want to access the printer, select Chooser from the Apple menu. Then click your printer's icon and select the printer port you want to use from the Select a printer port box on the right. You can only select from the printers connected to your current AppleTalk zone.



3. If the following dialog box appears, enter the password for the printer, then click OK.



4. Select the appropriate Background Printing option button to turn background printing on or off.
5. Close the Chooser.

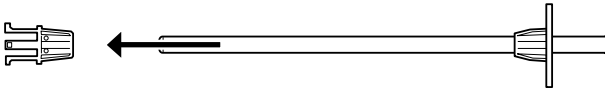
Loading Roll Paper	2-2
Attaching the roll paper to the printer	2-2
Loading the roll paper	2-6
Loading Cut Sheet Media	2-10
Loading cut sheet media longer than 483 mm (long edge of Super A3/B size)	2-10
Loading cut sheet with a length of 483 mm (long edge of Super A3/B) or shorter	2-13
Printing from Your PC	2-14
Making the printer driver settings	2-14
Cancelling printing from your PC	2-19
Printing from Your Macintosh	2-20
Making the printer driver settings	2-20
Cancelling printing from your Macintosh	2-23

Loading Roll Paper

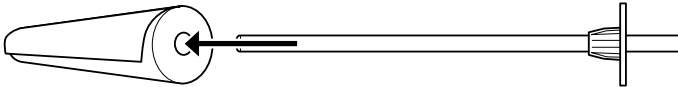
Attaching the roll paper to the printer

To attach the roll paper to the printer, follow the steps below.

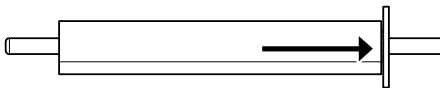
1. Slide the movable flange off the end of the spindle.



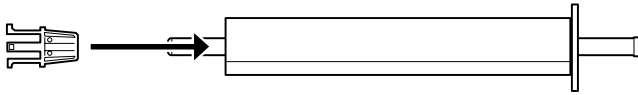
2. Place the roll paper on a flat surface so that the paper unwinds in the direction shown below.



3. Slide the roll paper onto the spindle until it fixes into place on the fixed flange.

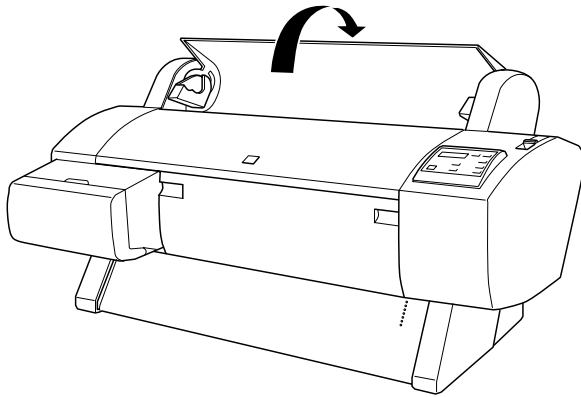


- Slide the movable flange (removed in step 1) onto the spindle until it fixes into place in the end of the roll paper.

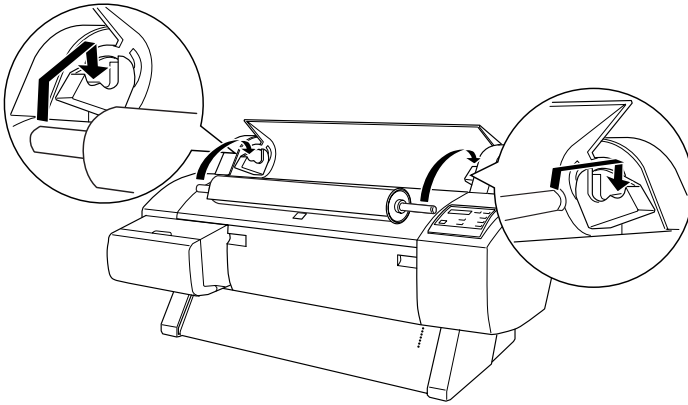


2

- Open the roll paper cover.



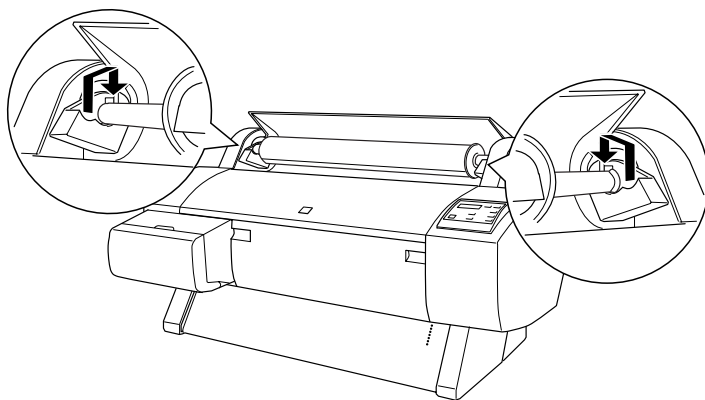
6. Hold the roll paper spindle so that the fixed flange is on the right side. Then place the spindle on the groove on top of the printer once.



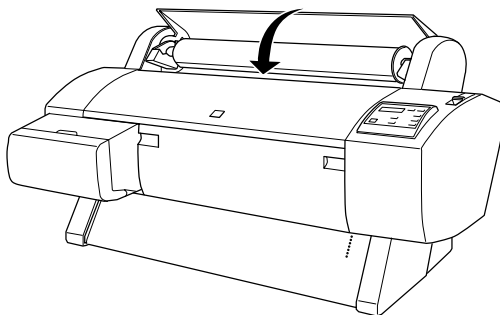
Note:

To mount the spindle correctly, match the color of the end of the spindle with the mounting bracket.

7. Lift the spindle again, then place it on the mounting brackets inside the printer.



8. Close the roll paper cover until it locks into place or see “Loading the roll paper” to load the paper.



Loading the roll paper

To load roll paper, follow the steps below.

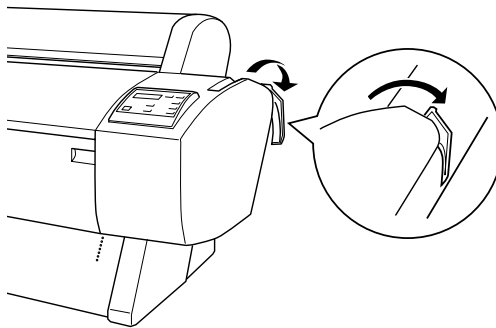
1. Make sure that the printer is on.
2. Press the Paper Source button repeatedly until the Roll Auto Cut light or Roll Cutter Off light comes on.



Caution:

Depending on the kind of paper used, automatic cutting may not be possible.

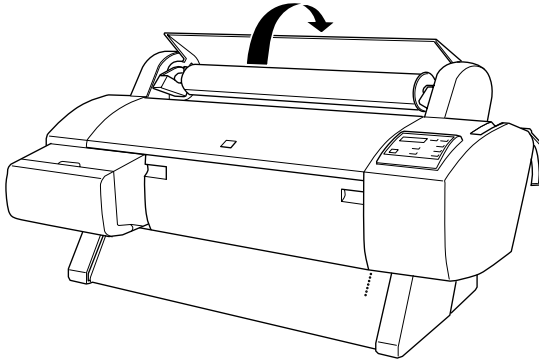
3. Make sure the Operate light and Pause light are not flashing, then push the paper set lever all the way down. LOAD PAPER appears on the LCD panel.



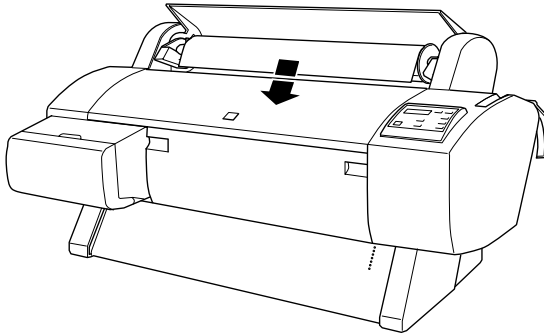
Caution:

Do not move the paper set lever while the Operate light or Pause light is flashing. Doing so may damage the printer.

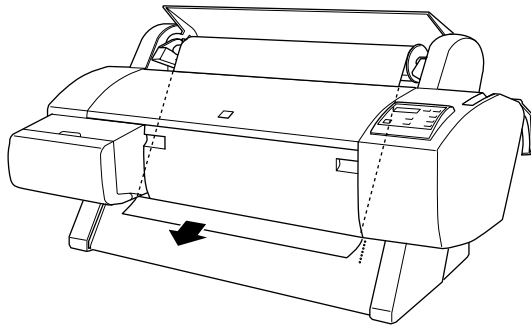
4. Open the roll paper cover.



5. Load the paper into the paper insertion slot.



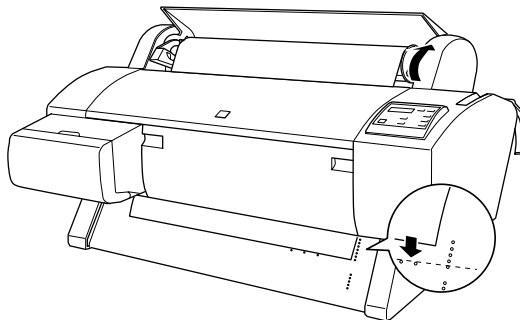
- Pull the paper down a small way through the paper insertion slot.



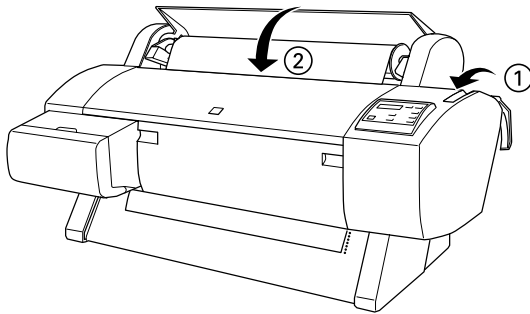
Note:

If the bottom edge of the paper does not come out below the lower cover, open the lower cover by pulling down on the handles, then pull the paper through.

- Holding the bottom edge of the paper, roll back the roll paper using the flange on the right to remove the slack. Make sure that the bottom edge of the paper is straight and in line with the rows of punch holes.



8. Pull the paper set lever all the way up, then close the roll paper cover. **PRESS PAUSE BUTTON** appears on the LCD panel.



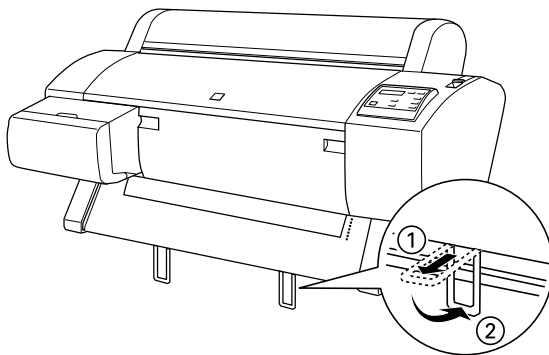
9. Press the Pause button.

The print heads move and the paper automatically feeds into the printing position. **READY** appears on the LCD panel.

Note:

*Even if you do not press the Pause button, the print heads move, the paper automatically feeds into the printing position. **READY** appears on the LCD panel.*

10. Extend the two paper guides out from the lower printer.



Now you are ready to print on the roll paper. Make the printer driver settings, then send a print job. See “Printing from Your PC” on page 2-14 or “Printing from Your Macintosh” on page 2-20.

Loading Cut Sheet Media

To load a cut sheet longer than 483 mm (long edge of Super A3/B size), see the next section. To load paper with a length of 483 mm or shorter, see “Loading cut sheet with a length of 483 mm (long edge of Super A3/B) or shorter” on page 2-13.

If you are printing on thick paper (0.5 to 1.6 mm), see the *Online Guide*.

Loading cut sheet media longer than 483 mm (long edge of Super A3/B size)

To load cut sheet media longer than 483 mm, follow the steps below.

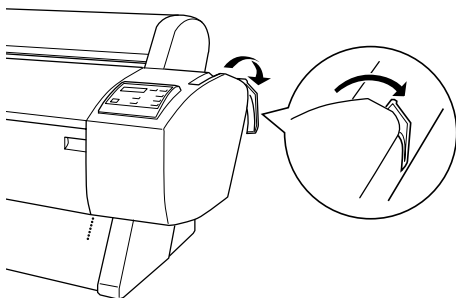


Caution:

As much as possible, keep your fingers off the printable surface of the media, as fingerprints may reduce printout quality.

1. Make sure that the printer is on and the roll paper cover is closed.
2. Press the Paper Source button repeatedly until the Sheet light comes on.

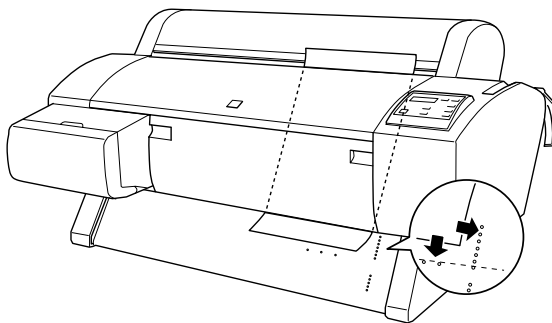
3. Make sure the Operate light and Pause light are not flashing, then push the paper set lever all the way down. LOAD PAPER appears on the LCD panel.



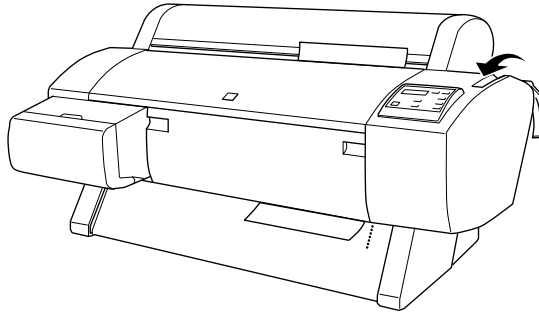
Caution:

Do not move the paper set lever while the Operate light or Pause light is flashing. Doing so may damage the printer.

4. Load the sheet into the paper insertion slot until it comes out below. Make sure that the right and bottom edges of the sheet are straight and in line with the rows of punch holes.



5. Pull the paper set lever all the way up. **PRESS PAUSE BUTTON** appears on the LCD panel.



6. Press the Pause button.

The print heads move and the sheet automatically feeds into the printing position. **READY** appears on the LCD panel.

Note:

*Even if you do not press the Pause button, the print heads move, the paper automatically feeds into the printing position. **READY** appears on the LCD panel.*

Now you are ready to print on the cut sheet media. Make the printer driver settings, then send a print job. See “Printing from Your PC” on page 2-14 or “Printing from Your Macintosh” on page 2-20.

Loading cut sheet with a length of 483 mm (long edge of Super A3/B) or shorter

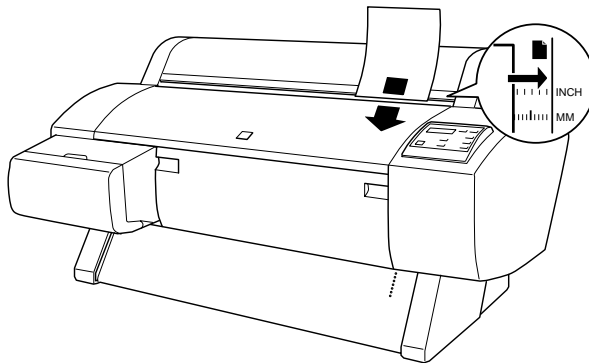
To load cut sheet media with a length of 483 mm or shorter, follow the steps below.



Caution:

As much as possible, keep your fingers off the printable surface of the media, as fingerprints may reduce printout quality.

1. Make sure that the printer is on and the roll paper cover is closed.
2. Press the Paper Source button repeatedly until the Sheet light comes on.
3. Make sure that the paper set lever is all the way up. Then load the sheet into the paper insertion slot until it meets resistance. Make sure that the right edge of the paper is straight and in line with the right edge of the scale on the roll paper cover. **PRESS PAUSE BUTTON** appears on the LCD panel.



4. Press the PAUSE button.
The print heads move and the sheet automatically feeds into the printing position. READY appears on the LCD panel.

Now you are ready to print on the cut sheet media. Make the printer driver settings, then send a print job. See “Printing from Your PC” on page 2-14 or “Printing from Your Macintosh” on page 2-20.

When printing is complete, the printer supports the printed media, and PAPER OUT is displayed on the LCD panel. To remove the paper, hold it while pressing the Paper Feed button. The paper can be removed from the printer.

Printing from Your PC

After loading the paper, you are ready to print your document from your PC.

Note:

To ensure print quality, you may need to check the printer's condition before printing. See Chapter 3, “Checking the Printer's Condition.”

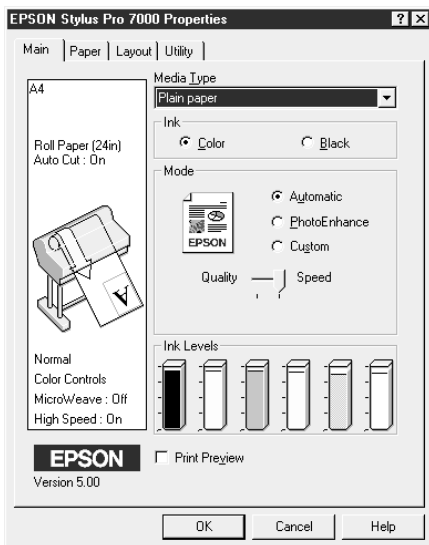
Making the printer driver settings

To make the basic settings to print your documents, access the Main menu and Paper menu in the printer driver. In the Paper menu, you can set particular settings for printing on roll paper; Auto Rotate, Auto Cut, Print Page Line, and Save Roll Paper.

For details about the printer software, see online help by pressing the Help button in the driver settings window.

1. Click Print on the File menu. The Print dialog box appears.

2. Make sure your printer is selected and then click Properties, or Options. You may need to click a combination of these buttons. The driver settings window appears.
3. Click the Main tab to display the Main menu.



4. Select the media you loaded in the printer from the Media Type list.

Note:

The Media Type setting determines what other settings are available, so you should always make this setting first.

5. In the Ink box, select Color to print in color, or Black to print in black and white.

6. Make sure the Automatic radio button in the Mode box is selected.

Note:

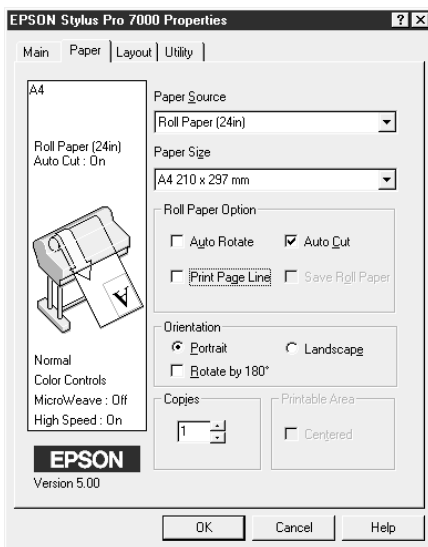
When Automatic is selected, the printer driver takes control of all detailed settings based on the current Media Type setting and Ink setting.

7. Adjust Speed and Quality in the Mode box if a slider appears. Drag the slider left or right depending on which is more important. This setting is usually automatically decided in accordance with your Media Type setting.

Note:

Depending on the media selected in the Media Type list (while Automatic is selected), a slider appears under the Custom radio button that lets you choose from Quality or Speed settings. Select Quality when print quality is more important than speed.

8. Click the Paper tab to display the Paper menu.



9. Select the type of paper you loaded in the printer from the Paper Source list.
10. Select the paper size you loaded in the printer from the Paper Size list/Page Size list (available only for Roll Paper (Banner)).

Note:

Most Windows applications feature paper size and page size settings that override similar settings in the printer driver.

11. If you are using the roll paper, set the Roll Paper Option as required.

Auto Rotate (unavailable for Roll Paper (Banner))

If the length of your document is shorter than the printable width of the roll paper, the document will automatically be turned by 90 degrees and printed crosswise when you select Auto Rotate. You can save paper by using this function.

Auto Cut

Roll paper will automatically be cut after printing one page when you select Auto Cut.

Print Page Line

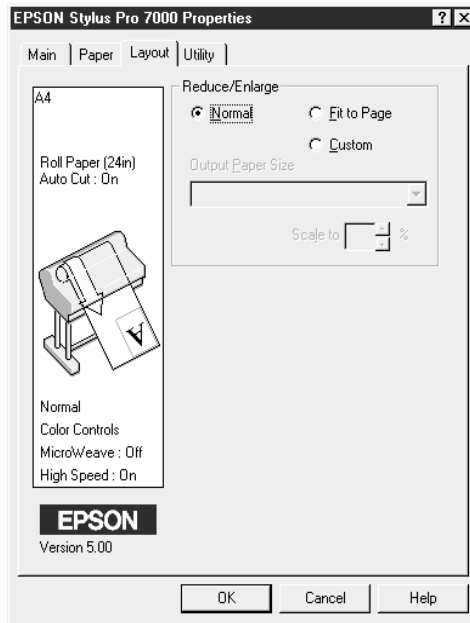
Page lines will be printed on the right side and below the document for manual cutting when you select Print Page Line.

Save Roll Paper (available only for Roll Paper (Banner))

Select this check box when you wish to save roll paper. The blank portion of the last page of your document is not fed through the printer.

12. Make settings for Orientation, Copies, and Printable Area. (The Printable Area setting is available only when Sheet is selected in the Paper Source list.)

13. Click the Layout tab to display the Layout menu.

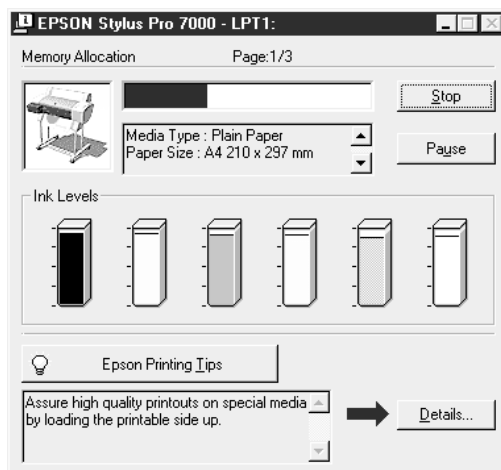


14. Make sure the Normal radio button in the Reduce/Enlarge box is selected.

15. Click the OK button at the bottom of the window. The screen returns to the Print dialog box (or a similar dialog box).

16. Click Close, OK, or Print to print. You may need to click a combination of these buttons.

While printing, the EPSON Progress Meter will appear, showing the progress of printing and the status of your printer.



For details, see “Printer Software” in the *Online Guide*.

Canceling printing from your PC

To cancel the printing in progress, press the Stop button on the EPSON Progress Meter.

You can also pause or restart printing. To pause printing, press the Pause button. To resume printing, press this button again.



Caution:

When you stop printing in progress, you may need to start printing again from the beginning for best result. Otherwise misalignment or banding may appear on the printed image.

Printing from Your Macintosh

After loading the paper, you are ready to print your document from your Macintosh.

Note:

To ensure print quality, you may need to check the printer's condition before printing. See Chapter 3, "Checking the Printer's Condition."

Making the printer driver settings

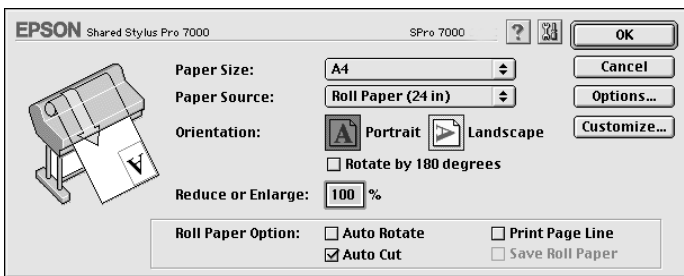
To make the printer driver settings, follow the steps below.

For details about the printer software, see online help by pressing the Help icon button (marked with "?") in the driver setting dialog boxes.

Note:

While many Macintosh applications override the settings made in the printer driver, some do not, so you must verify the settings to get the results you expect.

1. Choose Page Setup from the File menu. This brings up the Page Setup dialog box shown below.



2. Select the paper size you loaded in the printer from the Paper Size list.

3. Select the type of paper you loaded in the printer from the Paper Source list.
4. If you are using roll paper, set the Roll Paper Option as required.

Auto Rotate (unavailable for Roll Paper (Banner))

If the length of your document is shorter than the printable width of the roll paper, the document will automatically be turned by 90 degrees and printed crosswise when you select Auto Rotate. You can save paper by using this function.

Auto Cut

Roll paper will automatically be cut after a document is printed when you select Auto Cut.

Print Page Line

Page lines will be printed on the right side and below the document for manual cutting when you select Print Page Line.

Save Roll Paper (available only for Roll Paper (Banner))

Select this check box when you wish to save roll paper. The blank portion of the last page of your document is not fed through the printer.

5. Make settings for Orientation, Reduce or Enlarge, and Printable Area. (The Printable Area setting is available only for Sheet.)
6. After making your settings, click the OK button to close the Page Setup dialog box.

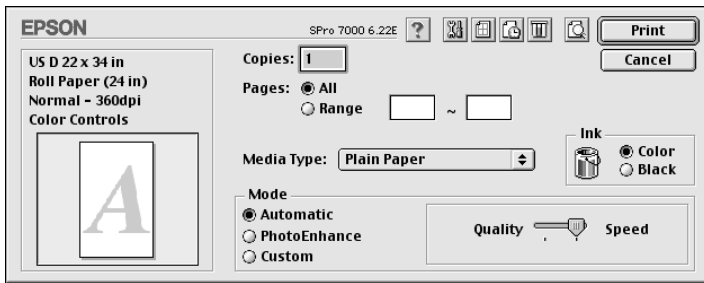
Note:

You cannot print from the Page Setup dialog box. You can only print from the Print dialog box.

7. Choose Print from the File menu. The Print dialog box appears as shown below.

Note:

You can also open the Print dialog box by pressing the Options button in the Page Setup dialog box.



8. Select the media you loaded in the printer from the Media Type list.

Note:

The Media Type setting determines what other settings are available, so you should always make this setting first.

9. In the Ink box, select Color to print in color, or Black to print in black and white.
10. Make sure the Mode option is set to Automatic.

Note:

When Automatic is selected, the printer driver takes control of all detailed settings based on the current Media Type setting and Ink settings.

11. Adjust Speed and Quality in the Mode box if a slider appears. Drag the slider left or right depending on which is more important. This setting is usually automatically decided in accordance with your Media Type setting.

Note:

Depending on the media selected in the Media Type list (while Automatic is selected), a slider appears on the right of the Mode box that lets you choose from Quality or Speed settings. Select Quality when print quality is more important than speed.

12. Be sure to make the settings for Copies and Pages, then click the Print button to start printing.

Canceling printing from your Macintosh

To cancel the printing in progress, follow the instructions below.




Caution:

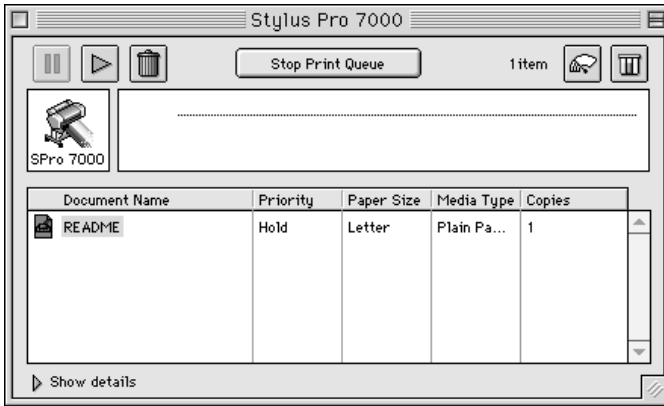
When you stop printing in progress, you may need to start printing again from the beginning for best result. Otherwise misalignment or banding may appear on the printed image.

When background printing is on

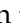
1. Press the Power button to turn off the printer.
2. Select EPSON Monitor3 from the application menu.



3. Click the name of the document which is printing in the Document Name list, then click the  stop button to cancel the print job.



When background printing is off

1. Press the Power button to turn off the printer.
2. Hold down the  key while pressing the period key [.] to cancel the print job.

Checking the Printer's Condition

Using Printer Utilities	3-2
Accessing the printer utilities	3-2
Printing the Nozzle Check Pattern	3-3
Cleaning the Print Heads	3-4
Aligning the Print Heads	3-6



Using Printer Utilities

To ensure print quality, you may need to check the printer's condition using the following utilities from the printer software.

Note:

You can also check from the printer's control panel. See "The Control Panel" in the Online Guide.

- Nozzle Check
- Print Head Cleaning
- Print Head Alignment


Accessing the printer utilities

To access the printer utilities, follow the steps below.

For Windows

1. Double-click the My Computer icon, then double-click the Printers folder.
2. For Windows 95 and 98, right-click your Printer icon, then click Properties. For Windows NT 4.0, right-click your Printer icon, then click Document Defaults. The printer software window appears. Then click the Utility tab.

For Macintosh

From the File menu of your application, choose Print or Page Setup to access the Print dialog box or Page Setup dialog box. Then click the  utility icon.

Printing the Nozzle Check Pattern

You can check the print head nozzles from your computer with the Nozzle Check utility in the printer software.

Note:

Do not start the Nozzle Check utility while printing is in progress. Doing so may smudge your printout.

Follow the steps below:

1. Make sure the printer is turned on and paper is loaded in the printer. (A4 or wider paper)
2. Access the printer software. See “Accessing the printer utilities” on page 3-2.
3. Click the Nozzle Check button.
4. Follow the messages on your screen.

The printer prints an operational check page including firmware (ROM) version information and a nozzle check pattern. The nozzle check pattern will resemble one of the two samples shown below:

Nozzle Check Pattern

Good Condition: Print heads do not require cleaning.



Poor Condition: Segments are missing. Print heads require cleaning.



Note:

Actual tests are printed in color.

Missing segments in printed lines in your nozzle check indicate that the ink nozzles are clogged and the print heads require cleaning.



Caution:

Make sure that the nozzle check pattern printing is complete before you start printing. Otherwise, print quality may suffer.

Cleaning the Print Heads

You can clean the heads from your computer using the Head Cleaning utility in the printer software, as explained in the following steps.

Note:

- ❑ *Print head cleaning uses ink. To avoid wasting ink, clean the print heads only if print quality declines.*
- ❑ *Use the Nozzle Check utility to confirm that the print heads need to be cleaned, as this uses only a little ink.*
- ❑ *When an Ink Out light on the printer is flashing (ink low) or on (ink out), you cannot clean the print heads before replacing the appropriate ink cartridge first.*
- ❑ *Do not start the Head Cleaning or Nozzle Check utilities while printing is in progress. Doing so may smudge your printout.*

Follow the steps below:

1. Make sure the lights on the control panel do not indicate that ink is low or ink is out.
2. Access the printer software. See “Accessing the printer utilities” on page 3-2.
3. Click the Head Cleaning button.
4. Follow the messages on your screen.

The Pause light on the printer flashes during the cleaning cycle, which takes about one minute to complete.



Caution:

Never turn off the printer until the cleaning cycle is finished and the Pause light has stopped flashing. Doing so may damage the printer.

5. When the Pause light is off, click Print nozzle check pattern (Windows) or the Confirmation button (Macintosh) in the Head Cleaning dialog box, or print a few lines from a document, to confirm that the heads are clean.

Nozzle Check Pattern

Good Condition: Print head cleaning was successful.



Poor Condition: Segments are missing. Print heads require further cleaning.



Note:

Actual tests are printed in color.

In the check pattern, if you find that segments are still missing from the test lines, you may need to repeat the head cleaning function and print the nozzle check pattern again.

If print quality does not improve even after repeating this procedure several times, contact your dealer.

Aligning the Print Heads

You can align the print heads using the Print Head Alignment utility in the printer software.

Note:

- ❑ *Do not start the Print Head Alignment utility while printing is in progress. Doing so may smudge your printout.*
- ❑ *Alignment pattern printing requires 1.5 m roll paper.*

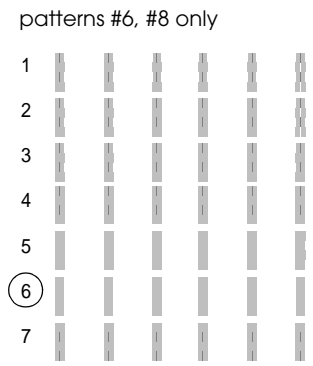
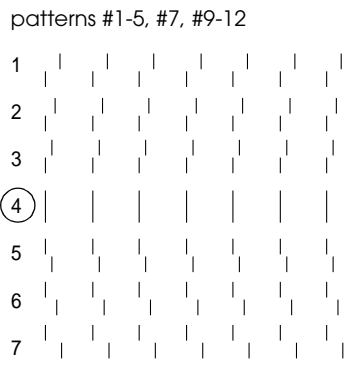
Follow the steps below:

1. Make sure the printer is turned on, and the EPSON special roll paper you plan to use is loaded in the printer. (24 inch roll paper is recommended.)

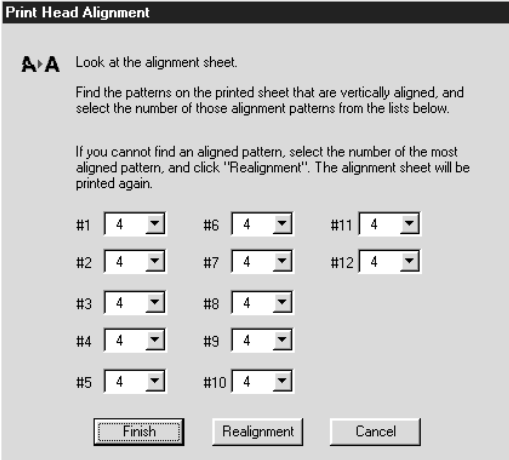
Note:

If you plan to use paper other than EPSON special paper, you may need to align the print heads using the SelecType settings. See “SelecType Settings” in the Online Guide.

- 2. Access the printer software. See “Accessing the printer utilities” on page 3-2.
- 3. Click the Print Head Alignment button.
- 4. Follow the messages on your screen. The printer prints the head alignment patterns.
- 5. Choose the set number that has the smallest gaps in each alignment pattern. In the example below, the marked set numbers have the smallest gaps.



6. Select the number you chose in step 5 (for example, number 4), then click Finish.



Print Head Alignment

A A Look at the alignment sheet.

Find the patterns on the printed sheet that are vertically aligned, and select the number of those alignment patterns from the lists below.

If you cannot find an aligned pattern, select the number of the most aligned pattern, and click "Realignment". The alignment sheet will be printed again.

#1	4	#6	4	#11	4
#2	4	#7	4	#12	4
#3	4	#8	4		
#4	4	#9	4		
#5	4	#10	4		

Note:

If the set with the smallest gaps is unclear and cannot be selected, click the Realignment button and repeat from step 5.