

All rights reserved. No part of this publication may be reproduced, stored in a retrieval system, or transmitted in any form or by any means, electronic, mechanical, photocopying, recording, or otherwise, without the prior written permission of SEIKO EPSON CORPORATION. The information contained herein is designed only for use with this EPSON printer. EPSON is not responsible for any use of this information as applied to other printers.

Neither SEIKO EPSON CORPORATION nor its affiliates shall be liable to the purchaser of this product or third parties for damages, losses, costs, or expenses incurred by the purchaser or third parties as a result of: accident, misuse, or abuse of this product or unauthorized modifications, repairs, or alterations to this product, or (excluding the U.S.) failure to strictly comply with SEIKO EPSON CORPORATION's operating and maintenance instructions.

SEIKO EPSON CORPORATION shall not be liable for any damages or problems arising from the use of any options or any consumable products other than those designated as Original EPSON Products or EPSON Approved Products by SEIKO EPSON CORPORATION.

SEIKO EPSON CORPORATION shall not be held liable for any damage resulting from electromagnetic interference that occurs from the use of any interface cables other than those designated as EPSON Approved Products by SEIKO EPSON CORPORATION.

EPSON is a registered trademark and ESC/P Raster and EPSON STYLUS are trademarks of SEIKO EPSON CORPORATION.

Microsoft and Windows are registered trademarks of Microsoft Corporation.

General Notice: Other product names used herein are for identification purposes only and may be trademarks of their respective owners. EPSON disclaims any and all rights in those marks.

Copyright © 2000 by SEIKO EPSON CORPORATION, Nagano, Japan.

Where to Find Information

This Setup Guide

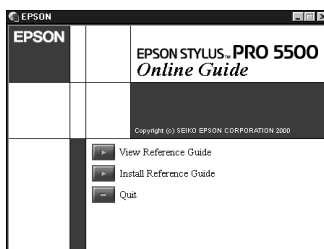
This guide provides you with the basic information you need to start using your EPSON STYLUS PRO 5500 and its optional and consumable products. Store this manual for future reference to set up your printer after it has been transported.

Reference Guide included on the CD-ROM

This guide provides you with detailed information about printing, the control panel, the printer software, and tips that will help you get the results you want.

Opening the Reference Guide

Insert the printer software CD in the CD-ROM drive. Double-click Online Guide in the Installer dialog box (Windows) or double-click the Online Guide folder in the EPSON window, EPSON STYLUS PRO 5500 (Macintosh). The dialog box shown below appears.



Click View Reference Guide to open the guide.

To install the Reference Guide on your hard disk, click Install Reference Guide and follow the on-screen instructions. When installation is complete, the ESPR5500 (Windows) or a View Reference Guide (Macintosh) icon appears in the EPSON folder. Double-click the icon to open the guide.

Note:

If your hard disk does not have enough space to install the Reference Guide, view it directly from the CD.

Online Help

Online help provides you with detailed information and instructions on the printer software that controls your printer. (Online help will be automatically installed when you install the printer software.) See your *Reference Guide* in the *Online Guide* for information on accessing online help.

System Requirements

To use your printer with a PC

To use your printer, you need Microsoft® Windows® Me, 98, 95, 2000, or NT® 4.0, and a shielded, twisted-pair parallel cable. If you want to connect your printer to a USB port, you need a Windows 98 or 2000 pre-installed PC equipped with a USB port, and a shielded USB cable.

Minimum system	Recommended system
i486/25 MHz for Windows 95 and NT 4.0 i486/66 MHz for Windows 98 Pentium 133 MHz for Windows 2000 Pentium 150 MHz for Windows Me	Pentium II 450 MHz or higher processor
16 MB RAM for Windows 98, 95, NT 4.0 32MB RAM for Windows Me 64 MB RAM for Windows 2000	128 MB RAM or more
20 MB hard disk space for Windows Me, 98, and 95 40 MB for Windows 2000 and NT 4.0	500 MB or more free disk space
VGA monitor	VGA or better monitor

Your computer dealer can help you update your system if it does not meet these requirements.

To use your printer with a Macintosh

To use this printer, your Apple® Macintosh® must meet the following system requirements. You also need a USB cable to connect this printer to Apple Macintosh computers.

Minimum system	Recommended system
PowerPC	PowerPC G3 400 MHz or higher processor
Mac OS 7.6.1	Mac OS 8.6.x or 9.x
16 MB of available memory 20 MB of available memory when background printing is turned on	42 MB or more of available memory 70 MB of available memory when background printing is turned on

Note:

- ❑ *The amount of available memory varies according to the number and size of applications that are open. To see how much memory is available, choose About This Macintosh from the Apple menu and refer to the memory size (listed in kilobytes) under “Largest Unused Block” (1,024 K = 1 MB).*
- ❑ *The memory requirements above are for printing on Super A3/B size paper. These requirements may vary depending on the size of the paper, the type of application you are using, and the complexity of the document you want to print.*
- ❑ *The available interface varies according to Macintosh system version as follows.
Network interface: 7.6.1 to 9.x
USB interface: 8.1 to 9.x
IEEE 1394 interface: 8.6.x to 9.x*

In addition to these system and memory requirements, you also need 12 MB of free hard disk space to install your printer software. To print, 500 MB or more of free hard disk space is recommended.

To use the Online Guide with a PC

System	Microsoft Windows 98, 95, 2000 or NT 4.0
CPU	i486/25 MHz (for Windows 95/NT 4.0) i486/66 MHz (for Windows 98) (Pentium or better recommended) (Pentium 133 MHz (for Windows 2000))
Memory	16 MB (32 MB or more recommended)
Hard disk space	3 MB free to install the Reference Guide
CD-ROM drive	Double-speed (Quad-speed or better recommended)
Display	640 × 480 pixel or 800 × 600 pixel resolution, with High Color (16 bit) or True Color (32 bit) setting
Browser	Web browser (Microsoft Internet Explorer 4.0 or later recommended)

To use the Online Guide with a Macintosh

System	System 7.5.1 (System 7.6 or later recommended)
Memory	16 MB (32 MB or more recommended)
Hard disk space	3 MB free to install the Reference Guide
CD-ROM drive	Double-speed (Quad-speed or better recommended)
Display	Color monitor with 640 × 480 pixel resolution or greater (Thousands of colors recommended)
Browser	Web browser (Microsoft Internet Explorer 4.0 or later recommended)

Contents

Chapter 1 Safety Instructions

Important Safety Instructions	1-2
A Few Precautions	1-3
ENERGY STAR Compliance	1-5
For United Kingdom Users	1-6
Use of options	1-6
Safety information	1-6
Warnings, Cautions, and Notes	1-7

Chapter 2 Assembling the Printer

Choosing a Place for the Printer	2-2
Using a printer stand	2-3
Unpacking the Printer	2-4
Installing the Paper Tray	2-5
Plugging in the Printer	2-5
Taking a Look at Your Printer	2-6
Front view	2-6
Rear view	2-6
Inside view	2-7
Control panel	2-7
Installing the Ink Cartridges	2-8

Chapter 3 Setting up the Printer with Your Computer

Connecting the Printer	3-2
Using the built-in parallel interface for PCs	3-2
Using a USB connection (For Windows Me, 98, 2000, and Macintosh)	3-3
Using an optional interface card	3-4
Installing the Printer Software	3-7
For Windows	3-8
For Macintosh	3-11
Accessing the Printer Software.	3-13
Accessing the printer software for Windows	3-13
Accessing the printer software for Macintosh	3-14
Setting up Your Printer on a Network	3-14
For Windows 98 and 95	3-14
For Windows 2000 and NT 4.0	3-18
For Macintosh	3-23
Testing the Printer	3-26
Loading paper in a paper tray.	3-26
Checking the printer nozzles.	3-31
Aligning the print heads	3-32

Safety Instructions

Important Safety Instructions1-2

A Few Precautions.....1-3

ENERGY STAR Compliance1-5

For United Kingdom Users1-6

 Use of options1-6

 Safety information1-6

Warnings, Cautions, and Notes.....1-7

Important Safety Instructions

Read all of these instructions before using your printer. Also be sure to follow all warnings and instructions marked on the printer.

- ❑ Do not block or cover the openings in the printer's cabinet.
- ❑ Do not insert objects through the slots. Take care not to spill liquid on the printer.
- ❑ Use only the type of power source indicated on the printer's label.
- ❑ Connect all equipment to properly grounded power outlets. Avoid using outlets on the same circuit as photocopiers or air control systems that regularly switch on and off.
- ❑ Avoid electrical outlets controlled by wall switches or automatic timers.
- ❑ Keep the entire computer system away from potential sources of electromagnetic interference, such as loudspeakers or the base units of cordless telephones.
- ❑ Do not use a damaged or frayed power cord.
- ❑ If you use an extension cord with the printer, make sure the total ampere rating of the devices plugged into the extension cord does not exceed the cord's ampere rating. Also, make sure the total ampere rating of all devices plugged into the wall outlet does not exceed the wall outlet's ampere rating.
- ❑ Do not attempt to service the printer yourself.
- ❑ Unplug the printer and refer servicing to qualified service personnel under the following conditions:

The power cord or plug is damaged; liquid has entered the printer; the printer has been dropped or the cabinet damaged; the printer does not operate normally or exhibits a distinct change in performance.

- ❑ If you plan to use the printer in Germany, observe the following:

To provide adequate short-circuit protection and over-current protection for this printer, the building installation must be protected by a 10 or 16 amp circuit breaker.

Bei Anschluss des Druckers an die Stromversorgung muss sichergestellt werden, dass die Gebäudeinstallation mit einer 10 A-oder 16 A-Sicherung abgesichert ist.

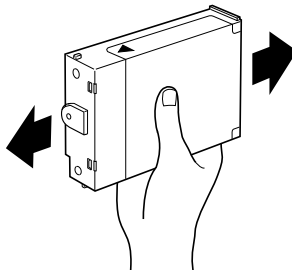
A Few Precautions

When using the printer

- ❑ Do not put your hand inside the printer or touch the ink cartridges during printing.
- ❑ Do not attempt to remove the paper by hand. Please wait for the paper to be ejected automatically.
- ❑ Do not move the print heads by hand; otherwise you may damage the printer.
- ❑ Always turn the printer off using the Operate button on the control panel. When this button is pressed, the Operate light flashes briefly then goes off. Do not unplug the printer or turn off the power to the outlet until the Operate light stops flashing.
- ❑ Before transporting the printer, make sure the print heads are in the home (far right) position, and the ink cartridges are removed.

When handling the ink cartridges

- ❑ Keep ink cartridges out of the reach of children. Do not drink the ink.
- ❑ If ink gets on your skin, wash it off with soap and water. If it gets in your eyes, flush them immediately with water.
- ❑ For best results, shake the ink cartridge gently before installing it.



Caution:

Do not shake cartridges that have been installed previously.

- ❑ Once you install an ink cartridge, do not remove the cartridge except to replace it with a new one. The printer may not be able to determine the correct level of ink remaining.
- ❑ Do not use an ink cartridge beyond the date printed on the cartridge carton.
- ❑ For best results, use up the ink cartridges within six months of installation.
- ❑ Do not dismantle the ink cartridges or try to refill them. This could damage the print heads.

When choosing a place for the printer

- ❑ Place the printer on a flat, stable surface that is larger than the printer. The printer will not operate properly if it is tilted or at an angle.
- ❑ Avoid placing the printer on soft surfaces, such as rubber sheets or urethane rubber sheets. Doing so may affect the quality of printed images.
- ❑ Avoid areas subject to rapid changes in temperature and humidity. Also keep it away from direct sunlight, strong light, or heat sources.
- ❑ Avoid areas subject to shock and vibration.
- ❑ Keep the printer away from dusty areas.
- ❑ Place the printer near a wall outlet where the plug can be easily unplugged.

Note for French-speaking users:

Placez l'imprimante près d'une prise de contact où la fiche peut être débranchée facilement.

ENERGY STAR Compliance



As an ENERGY STAR Partner, EPSON has determined that this product meets the ENERGY STAR guidelines for energy efficiency.

The International ENERGY STAR Office Equipment Program is a voluntary partnership with the computer and office equipment industry to promote the introduction of energy-efficient personal computers, monitors, printers, fax machines, and copiers in an effort to reduce air pollution caused by power generation.

For United Kingdom Users

Use of options

Epson (UK) Limited shall not be liable against any damage or problems arising from the use of any options or consumable products other than those designated as Original EPSON Products or EPSON Approved Products by Epson (UK) Limited.

Safety information



Warning:

This appliance must be earthed. Refer to the rating plate for the voltage and check that the appliance voltage corresponds to the supply voltage.

Important:

The wires in the mains lead fitted to this appliance are coloured in accordance with the following code:

Green and yellow – Earth

Blue – Neutral

Brown – Live

If you have to fit a plug:

As the colours of the mains lead of this appliance may not match the coloured markings used to identify the terminals in a plug, please proceed as follows:

The green and yellow wire must be connected to the terminal in the plug which is marked with the letter E or the earth symbol (\perp).

The blue wire must be connected to the terminal in the plug marked with the letter N.

The brown wire must be connected to the terminal in the plug marked with the letter L.

If damage occurs to the plug, replace the cord set or consult a qualified electrician.

Replace fuses only with others of the correct size and rating.

Warnings, Cautions, and Notes



Warnings must be followed carefully to avoid bodily injury.



Cautions must be observed to avoid damage to your equipment.

Notes contain important information and useful tips on the operation of your printer.

Assembling the Printer

Choosing a Place for the Printer 2-2
 Using a printer stand 2-3

Unpacking the Printer 2-4

Installing the Paper Tray 2-5

Plugging in the Printer 2-5

Taking a Look at Your Printer 2-6
 Front view 2-6
 Rear view 2-6
 Inside view 2-7
 Control panel 2-7

Installing the Ink Cartridges 2-8

Choosing a Place for the Printer

Follow the guidelines listed below when placing your printer.

- ❑ Place the printer on a flat, stable surface that is larger than the printer. The printer will not operate properly if it is tilted or at an angle.
- ❑ Avoid placing the printer on soft surfaces, such as rubber sheets or urethane rubber sheets. Doing so may affect the quality of printed images.
- ❑ Place the printer close enough to the computer for the interface cable to reach it easily.
- ❑ Leave adequate room for easy operation and maintenance.
- ❑ Leave enough room on the table at the front of the printer for the paper tray.
- ❑ Avoid using or storing the printer in areas subject to rapid changes in temperature and humidity. Also keep it away from direct sunlight, strong light, or heat sources.
- ❑ Avoid areas subject to shocks and vibrations.
- ❑ Place the printer near a wall outlet where the plug can be easily unplugged.

Note for French-speaking users:

Placez l'imprimante près d'une prise de contact où la fiche peut être débranchée facilement.

- ❑ Avoid electrical outlets controlled by wall switches or automatic timers. Also, avoid outlets on the same circuit as large motors or other appliances that can cause fluctuations in line voltage.
- ❑ Keep the entire computer system away from potential sources of electromagnetic interference, such as loudspeakers or the base units of cordless telephones.
- ❑ Use a grounded power outlet; do not use an adapter plug.
- ❑ If you have purchased the optional Lower Paper Cassette, position it before positioning the printer. See “Installing the optional Lower Paper Cassette” in the *Reference Guide*.

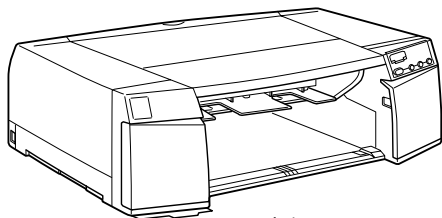
Using a printer stand

When using a printer stand, note the following:

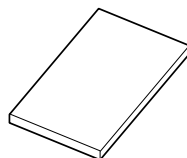
- ❑ Use a stand that can support at least 41.0 kg (90 lb).
- ❑ Never use a stand that tilts the printer. The printer should always be kept level.

Unpacking the Printer

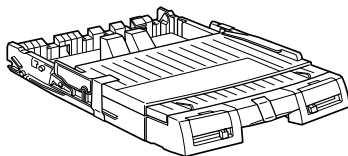
Your printer box should contain this *Setup Guide*, a CD-ROM, which includes the printer driver and the *Reference Guide*, and the following items:



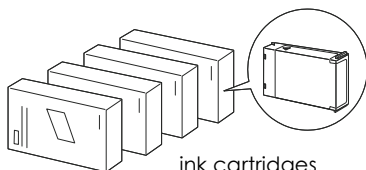
printer



media pack



paper tray



ink cartridges



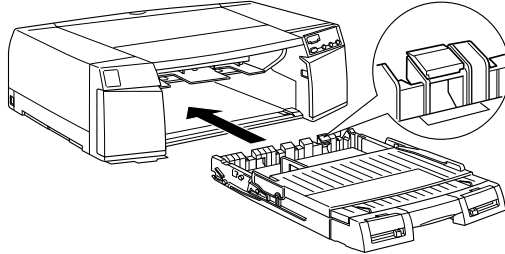
power cord

In some locations, the power cord comes attached to the printer. The shape of the AC plug varies by country; be sure the plug included is the right shape for your location.

Remove all protective materials packed with your printer before you set it up and turn on the power. Follow the instructions inserted with the printer to remove these materials. Save all packaging and protective materials in case you need to transport the printer later.

Installing the Paper Tray

Insert the paper tray into the slots at the front of the printer as shown below.



Caution:

Be careful not to touch the black pad located at the right end of the paper tray, illustrated in the balloon above. Smudges and dirt on the pad may cause a paper feeding error.

Plugging in the Printer

1. Check the label on the back of the printer to make sure the voltage required by the printer matches that of the electrical outlet you will be plugging it into. Also, make sure that you have the correct power cable for your power source.



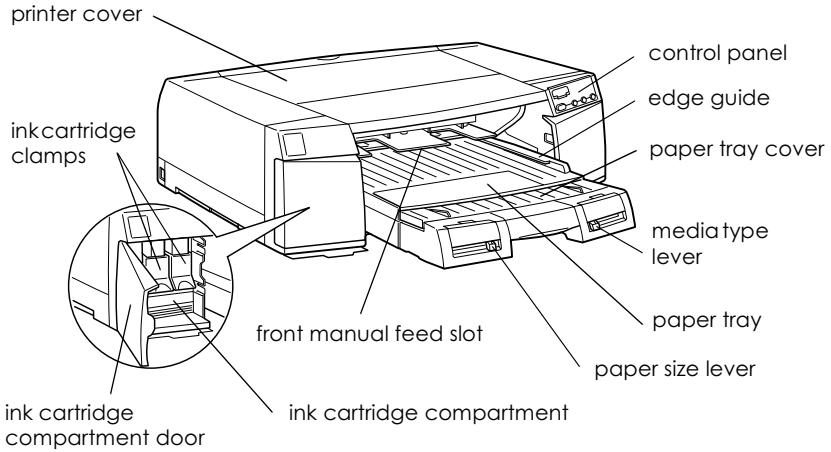
Caution:

It is not possible to change the printer's voltage. If the rated voltage and your outlet voltage do not match, do not plug in the power cord. Contact your dealer for assistance.

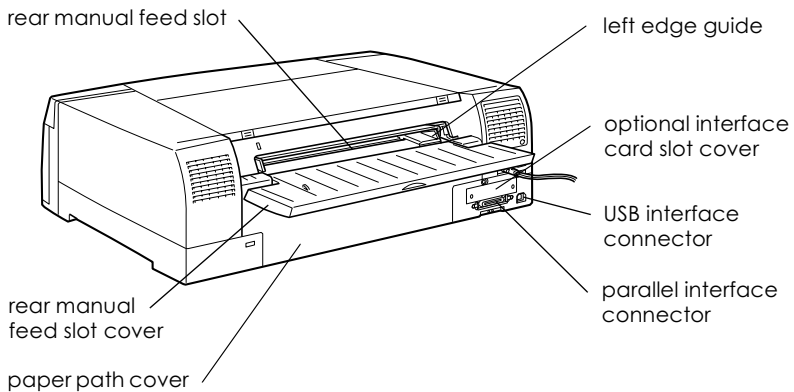
2. If the power cord is not attached to the printer, connect it to the AC inlet on the back of the printer.
3. Plug the power cord into a properly grounded electrical outlet.

Taking a Look at Your Printer

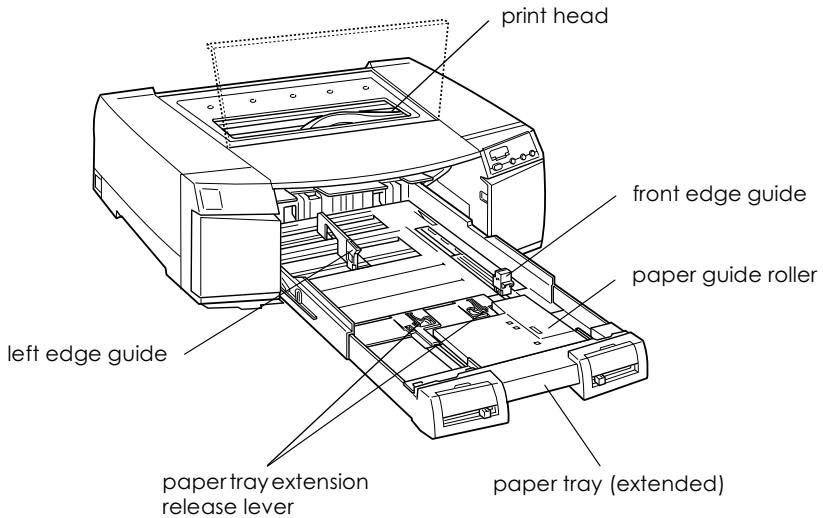
Front view



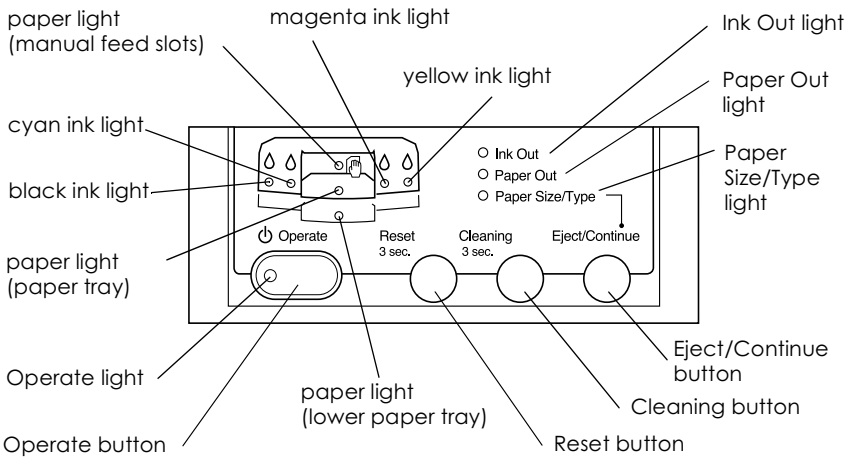
Rear view



Inside view



Control panel



Installing the Ink Cartridges



Warning:

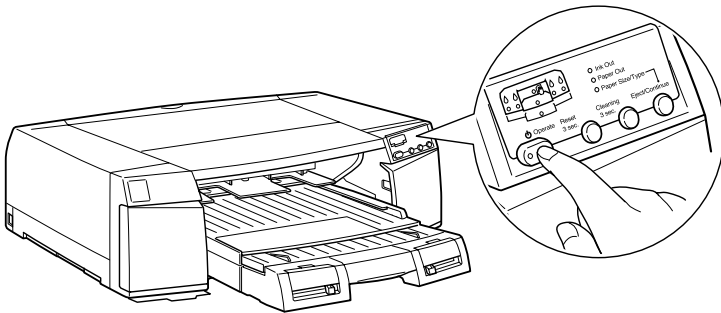
The ink cartridges are self-contained units. Under ordinary use, ink will not leak from a cartridge. If ink gets onto your hands, wash them thoroughly with soap and water. If ink gets into your eyes, flush them immediately with water.

Install the ink cartridges as follows:

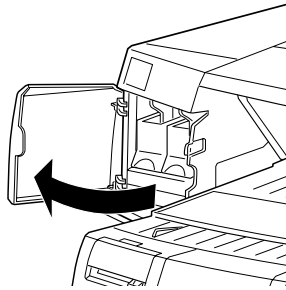
Note:

Always use new ink cartridges. Reinstalling partially empty ink cartridges causes the printer to send inaccurate information to the computer regarding the amount of ink remaining.

1. Turn on the printer by pressing the  Operate button.



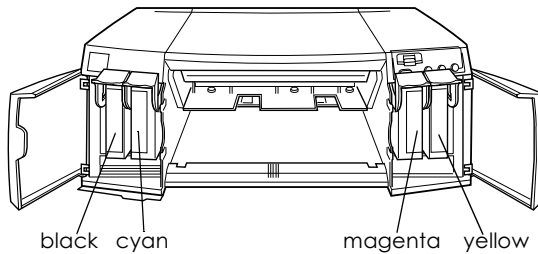
2. Open the left and right ink cartridge compartment doors.



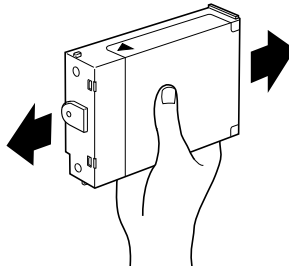
2

Note:

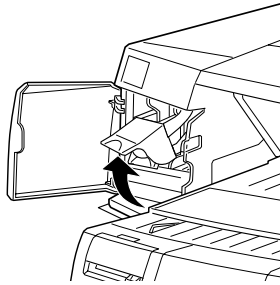
You can install the ink cartridges in any order; however, each slot can only hold a particular color of ink as indicated below the slots. Be sure you install the ink cartridges in the correct slots.



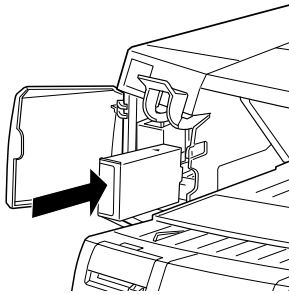
3. Remove the ink cartridge from its package and shake the cartridge gently before installing it as shown.



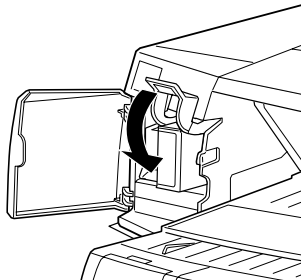
4. Lift up the ink cartridge clamp for the corresponding color ink slot.




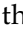
5. Hold the ink cartridge with the arrow mark face-up and pointing to the rear of the printer, and fully insert the ink cartridge into the slot.



6. Close the clamp until it clicks into place.

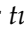
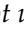
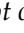


7. Repeat steps 3 through 6 for all four color ink cartridges.
8. Close the ink cartridge compartment doors after installing all four ink cartridges.

After installing all four ink cartridges, the printer begins charging the ink delivery system. During the ink charging process, the  Operate light flashes. The ink charging process takes about 6 minutes to complete, during which time the printer produces a variety of mechanical sounds. These sounds are normal. When the ink delivery system has been charged, the  Operate light stops flashing.



Caution:

- Never turn off the printer while the  Operate light is flashing.
- Do not unplug the power cord while the  Operate light is flashing.
- Do not open the paper path cover while the  Operate light is flashing.

The life of a cartridge depends on the amount of text and graphics you print. The life of a color ink cartridge depends on the amount and the number of colors used in your documents.

Note:

When ink runs out, see “Replacing Ink Cartridges” in your Reference Guide in the Online Guide.

Setting up the Printer with Your Computer

Connecting the Printer	3-2
Using the built-in parallel interface for PCs	3-2
Using a USB connection (For Windows Me, 98, 2000, and Macintosh)	3-3
Using an optional interface card	3-4
Installing the Printer Software	3-7
For Windows	3-8
For Macintosh	3-11
Accessing the Printer Software	3-13
Accessing the printer software for Windows	3-13
Accessing the printer software for Macintosh	3-14
Setting up Your Printer on a Network	3-14
For Windows 98 and 95	3-14
For Windows 2000 and NT 4.0	3-18
For Macintosh	3-23
Testing the Printer	3-26
Loading paper in a paper tray	3-26
Checking the printer nozzles	3-31
Aligning the print heads	3-32



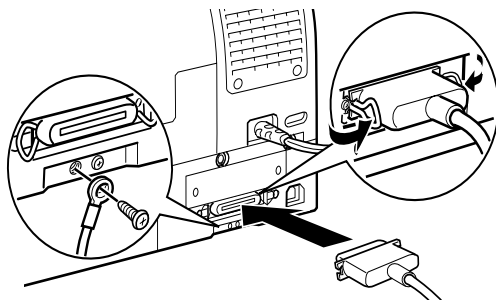
Connecting the Printer

The method you use to connect the printer to your computer depends on whether you want to send print jobs directly to the printer using the printer's built-in parallel interface or a USB connection, or send print jobs to the printer over a network using an optional interface card. To connect the printer using the built-in parallel interface, see the next section. To connect the printer using a USB connection, see "Using a USB connection (For Windows Me, 98, 2000, and Macintosh)" on page 3-3. For information on using optional interface cards, see "Using an optional interface card" on page 3-4.

Using the built-in parallel interface for PCs

To use the printer's built-in parallel interface, you will need a shielded, twisted-pair cable. Follow the steps below to connect the printer to your computer.

1. Make sure both the printer and computer are turned off.
2. Plug the cable connector securely into the printer's parallel interface connector. Then squeeze the wire clips together until they lock into place on both sides. If your cable has a ground wire, connect it to the ground connector beside the printer's parallel interface connector.



3. Plug the other end of the cable into the computer's parallel port. If there is a ground wire at the computer end of the cable, connect it to the ground connector at the back of the computer.

Now see "Installing the Printer Software" on page 3-7. You must install the printer software before using your printer.

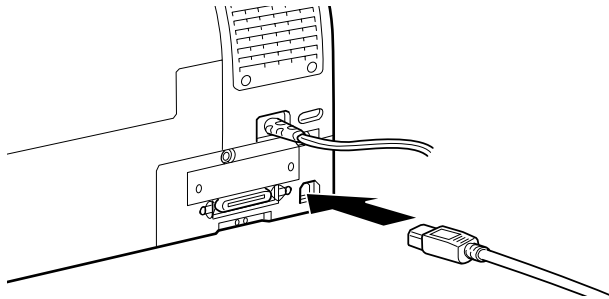
Using a USB connection (For Windows Me, 98, 2000, and Macintosh)

To connect the printer to a USB port, you need a standard shielded USB cable. Follow the steps below to connect the printer to your computer.

Note:

The EPSON Printer Port and DMA transfer features (For Windows 98 and 95 only) of the EPSON printer driver you install are not available with USB connections. They are available only with the parallel interface connection. For information on the EPSON Printer Port and DMA transfer, see your Reference Guide in the Online Guide.

1. Make sure both the printer and computer are turned off.
2. Plug the appropriate end of the cable into the USB port on the back of the printer. (The end that fits the printer has a different shape than the end that fits the computer.)



3. Connect the other end of the cable to the computer's USB port.

Now see "Installing the Printer Software" on page 3-7. You must install the printer software before using your printer.

Using an optional interface card

Available optional interface cards

The optional Ethernet Interface Cards listed below let you use your printer on a network. The Ethernet card automatically detects the protocols on your network, so you can print from Windows 98, 95, 2000, and NT 4.0, or Macintosh on an AppleTalk network.

Multi-protocol Ethernet Interface Card (100BASE-TX, 10BASE-T)	C82363*
IEEE 1394 Interface Card	C82372*

Note:

The asterisk in the product number is a substitute for the last digit, which varies by country.

Installing the optional interface card

To install an optional interface card, follow these steps:

Note:

Before you install the optional interface card, see the documentation that comes with the card for setup information.

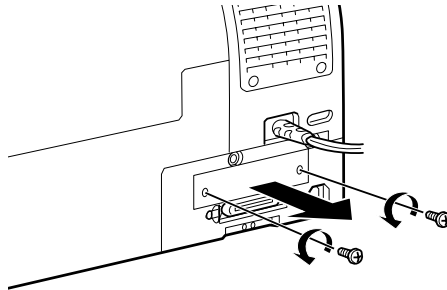
1. Make sure the printer is turned off.
2. Make sure that the power cord is unplugged from the electrical outlet.



Caution:

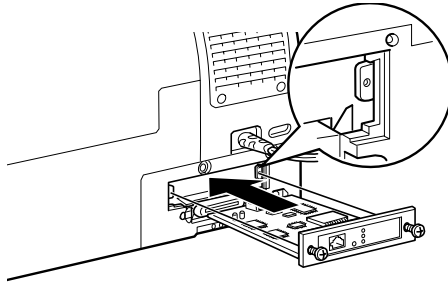
Do not install the interface card when the printer is connected to an electrical outlet. Doing so may damage the printer.

3. Disconnect the interface cable, if necessary.
4. Use a cross-head screwdriver to remove the two screws securing the shield plate to the optional interface slot, and lift off the plate. Be sure to keep the screws to use when you re-install the shield plate.

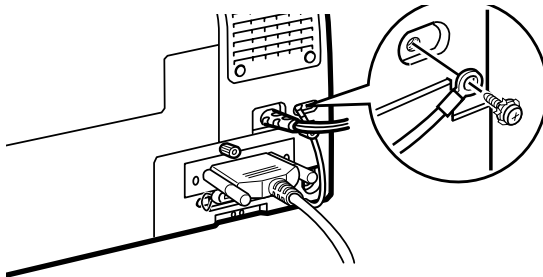


5. Set the DIP switches and jumpers on the card, if necessary. See the interface card's documentation for details.

- Slide the interface card along the slots on both sides of the interface compartment. Push it in firmly to fully insert the connector at the rear of the interface card into the printer's internal socket.



- Secure the interface card in the slot with the two screws included with the interface card.
- Connect a compatible interface cable to the interface card and to your computer. If the cable has a ground wire, secure it with one of the screws.



- Plug in the power cord.

Now see the next section to install the printer software. If you use your printer on a network, see also "Setting up Your Printer on a Network" on page 3-14.

To remove an interface card, follow the above steps in the reverse order.

Installing the Printer Software

After connecting the printer to your computer, you need to install the software included on the “Printer Software for EPSON STYLUS PRO 5500” CD-ROM shipped with your printer.

Your printer software includes:

❑ **Printer driver and utilities**

The printer driver runs, or “drives” your printer; use it to make settings such as print quality, speed, media type, and paper size. The Nozzle Check, Head Cleaning, and Print Head Alignment utilities help you keep your printer in top operating condition. EPSON Status Monitor 3 (for Windows) or EPSON StatusMonitor (for Macintosh) notifies you of printer errors and displays printer status information such as the amount of ink remaining.

❑ **Printer Status Page utility (for Windows 2000 only)**

The Printer Status Page utility (for Windows 2000 only) enables you to monitor the printer status and network settings over the Internet when using the Windows 2000 Internet Printing feature. To use this utility, you must obtain an optional network interface. See your network manual for more information.

❑ **Online guide**

The online *Reference Guide* helps you learn more about your printer.

If you are using the floppy disk version of the software, make a backup copy of the EPSON printer software disk before you begin installation. If you wish to make a floppy disk version of the printer software on your CD-ROM, you can use the driver disk creation utility included on the CD-ROM.

For Windows

Follow these steps to install your printer software.

1. Make sure that your printer is off.
2. Turn on your computer and start Windows. If the New Hardware Found screen or any other Wizard appears, click Cancel.
3. Insert the printer software CD-ROM shipped with your printer in the CD-ROM drive. The Installer dialog box appears. (For floppy disk users, insert the disk in the disk drive and double-click the My Computer icon, then the floppy disk drive icon, and then Setup.exe.)
4. Click Install Printer Driver/Utility, then the right arrow, and then OK in the dialog box that appears to start the printer software installation.



5. Windows 95 and NT users should proceed to step 6.

For Windows 98 users, follow the on-screen instructions to turn on your printer. The printer port configuration starts automatically.

For printers connected via USB cable, the USB device driver installation starts automatically at this point.

6. When a message appears informing you that installation is complete, click OK.

Note:

If an error message appears, either the printer driver or the EPSON USB printer device driver is not installed correctly. See "Troubleshooting" in your Reference Guide in the Online Guide.

To access the printer software installed in your computer, see "Accessing the Printer Software" on page 3-13.

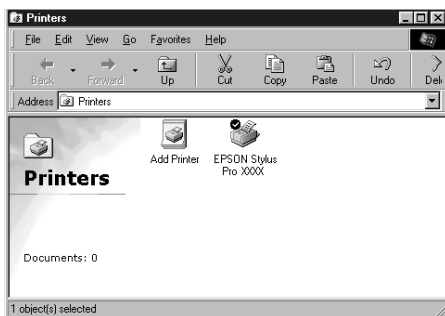
For information on using the printer software see "Printer Software" in the *Reference Guide* in the *Online Guide*. If you use your printer on a network see "Setting up Your Printer on a Network" on page 3-14.

Ensuring that the USB driver is installed correctly in Windows (for Windows 98 only)

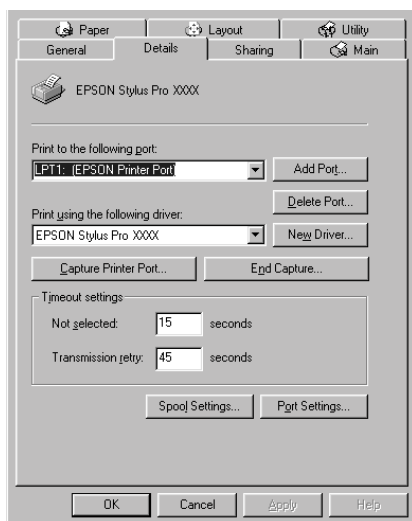
After the printer software installation is complete, confirm that the USB driver is installed correctly.

1. Click the Start button, point to Settings, and click Printers. Make sure that the icon for your printer appears in the Printers window.

2. Click the icon for your printer, then click Properties on the File menu.



3. Click the Details tab and make sure that EPUSBx: (EPSON STYLUS PRO 5500) is displayed in the “Print to the following port” list box.



Note:

If the correct port is not displayed, refer to “Troubleshooting” in your Reference Guide in the Online Guide.

For Macintosh

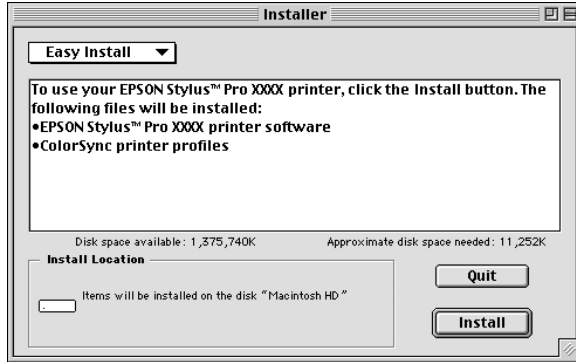


Caution:

Turn off all virus protection programs before you install your printer software.

Follow these steps to install your printer software.

1. Turn on your Macintosh and insert the software CD-ROM shipped with your printer into the CD-ROM drive. The EPSON printer software disk opens automatically.
2. If a single Installer icon appears, double-click the icon. If separate folders containing installer icons for several languages appear, double-click the folder for your preferred language, then double-click the Installer icon inside it.
3. At the initial screen, click Continue. The following dialog box appears.

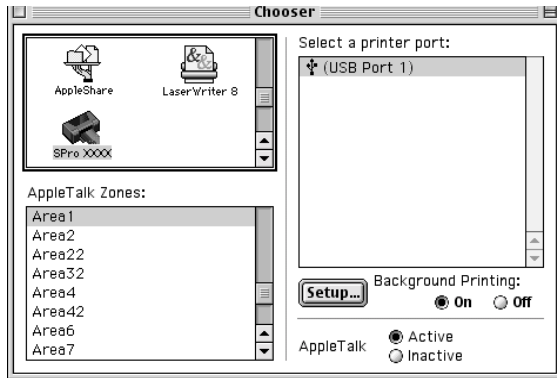


4. To install the printer software included on your printer software CD-ROM, make sure the Install Location box displays the correct disk drive, then click Install.
5. When a message appears informing you that the installation is complete, click Restart to restart your computer.

Selecting your printer in the Chooser for Macintosh

After you have installed the printer software on your Macintosh, you need to open the Chooser and select your printer. You must select a printer the first time you use it or whenever you want to switch to another printer. Your Macintosh will always print using the last printer selected.

1. Select Chooser from the Apple menu. Then, click your printer's icon and the port your printer is connected to.



2. Select the appropriate Background Printing radio button to turn background printing on or off.

With background printing on, you can use your Macintosh while it is preparing a document for printing. In order to use the EPSON Monitor3 utility to manage print jobs, background printing must be turned on.

3. Close the Chooser.

To access the printer software, see the next section.

For information on using the printer software, see "Printer Software" in the *Reference Guide* in the *Online Guide*. If you use your printer on a network, see "Setting up your printer as a shared printer" on page 3-23.

Accessing the Printer Software

To access the printer software installed in your computer, follow the instructions below.

Accessing the printer software for Windows

3

You can access the printer software from most Windows applications, or from My Computer on the Windows desktop.

From Windows applications

1. Open the File menu and choose Print or Print Setup.
2. Click Printer, Setup, Options, or Properties. (Depending on your application, you may need to click a combination of these buttons.) The printer software window appears.

From My Computer

1. Double-click the My Computer icon, then double-click the Printers folder. For Windows 2000, double-click the My Computer icon, the Control Panel icon, then the Printer folder.
2. For Windows 98 and 95, right-click your printer icon, then click Properties. For Windows NT 4.0, right-click your printer icon, then click Document Defaults. For Windows 2000, right-click your printer icon, then click Printing Preference. The printer software window appears.

Note:

The specific features available in the printer software vary depending on the version of Windows you are using.

Accessing the printer software for Macintosh

You can access the printer driver settings from the following dialog boxes:

Print dialog box

Click Print on the File menu of your application or click Print Setup in the Page Setup dialog box.

Page Setup dialog box

Click Page Setup on the File menu of your application.

Setting up Your Printer on a Network

For Windows 98 and 95

This section tells you how to set up your printer so that other computers on the network can use it.

First, you need to set up the printer as a shared printer on the computer to which it is connected. Then, you must specify the network path to the printer from each computer that will use it, and install the printer software on those computers.

Note:

This section describes how to use your printer as a shared printer on a network. To connect your printer directly to a network without setting it up as a shared printer, consult your network administrator.

Setting up your printer as a shared printer

Follow these steps to share a printer connected directly to your computer with other computers on a network.

1. Click Start, point to Settings, then click Control Panel.
2. Double-click Network.
3. Click the File and Print Sharing button.
4. Select the I want to be able to allow others to print to my printer(s) check box and click OK.

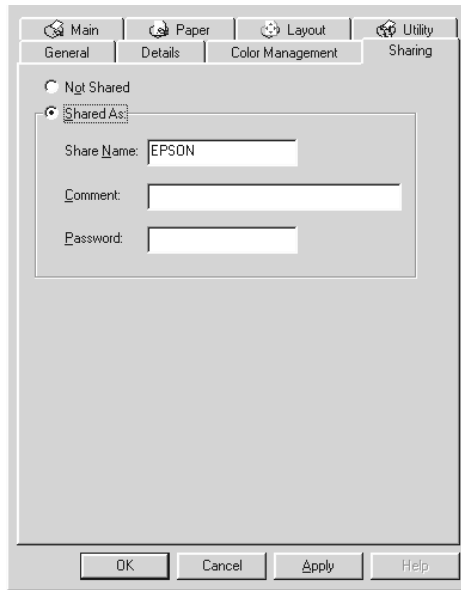


5. In the Network window, click OK.
6. In the Control Panel, double-click Printers.

Note:

- ❑ *If a dialog box requesting the Windows 98 or 95 CD-ROM appears, insert the CD-ROM in the CD-ROM drive, then follow the messages on the screen.*
 - ❑ *If a dialog box appears requesting you to restart your computer, do so. Then, open the Printers folder, and continue from step 7.*
7. Select your printer, and choose Sharing on the File menu.

8. Select Shared As, enter the printer information as needed, then click OK.



Accessing the printer through a network

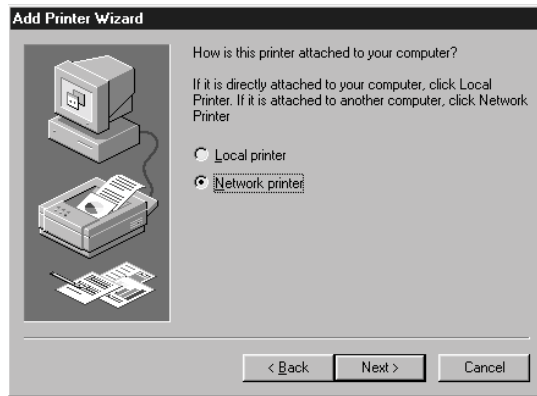
To access your printer from another computer on the network, follow these steps.

Note:

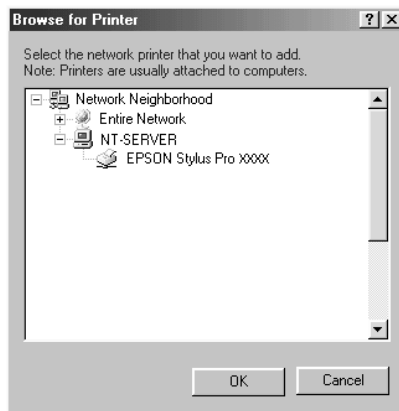
Your printer must be set up as a shared resource on the computer to which it is directly connected before you can access it from another computer. For instructions, see “Setting up your printer as a shared printer” on page 3-15.

1. On the computer from which you want to access the printer, click Start, point to Settings, and click Printers.
2. Double-click the Add Printer icon.
3. The Add Printer Wizard screen appears. Click Next.

4. Click Network printer, then click Next.



5. Click Browse.
6. Double-click the icon of the computer that is directly connected to the printer. Then click the printer's icon.



7. Click OK and follow the messages on the screen.

For Windows 2000 and NT 4.0

Note:

This section is written for small network users only. If you are on a large network and would like to share your printer, consult your network administrator.

This section tells you how to set up your printer so that other computers on the network can use it.

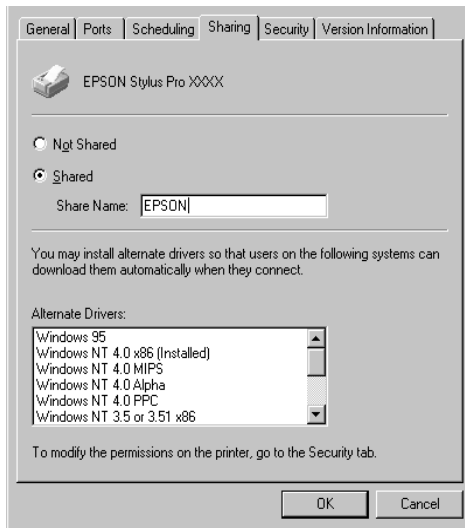
First, you need to set up the printer as a shared printer on the computer to which it is connected. Then, you must specify the network path to the printer from each computer that will use it, and install the printer software on those computers.

Setting up your printer as a shared printer

Follow these steps to share a printer that is connected directly to your computer with others on a network.

1. Click Start, point to Settings, and click Printers.
2. Select your printer, then click Sharing on the File menu.

3. Click Shared and enter the Share Name.



4. Click OK.

Note:

Do not choose any drivers from the Alternate Drivers list.

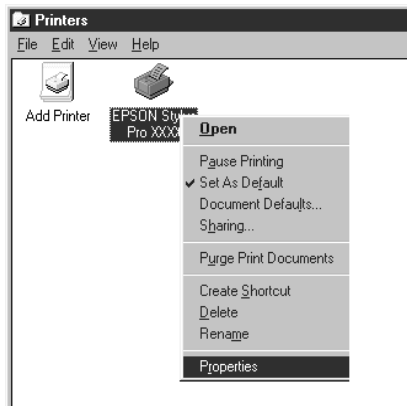
Accessing the printer through a network

To access your printer from another computer on the network, follow these steps.

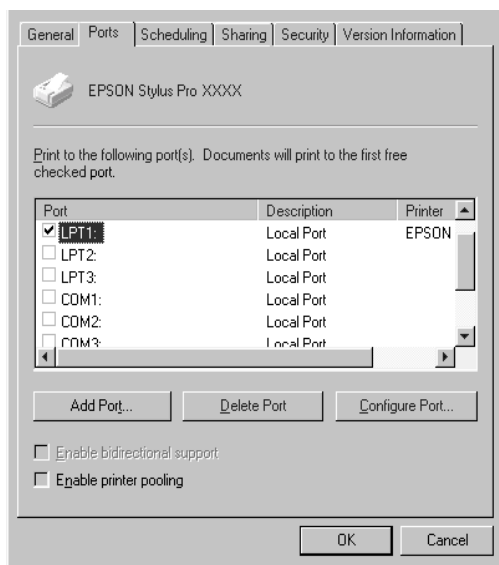
Note:

Your printer must be set up as a shared resource on the computer to which it is directly connected before you can access it from another computer. For instructions, see "Setting up your printer as a shared printer" on page 3-18.

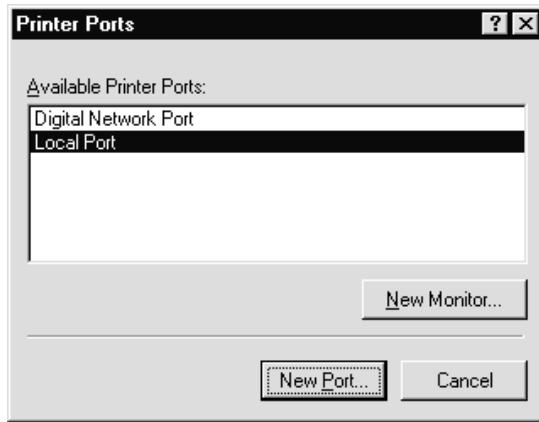
1. Install the printer driver to the client computer from the software CD-ROM.
2. Open the Printer folder from the Control Panel, right-click your printer's icon, then click Properties.



3. Click the Ports tab, then click Add Port.

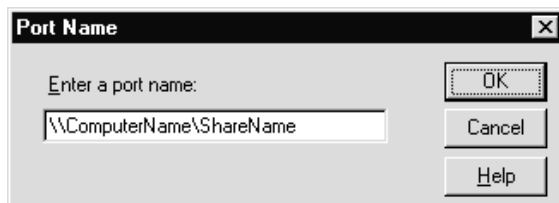


4. The following dialog box appears. Select Local Port, then click New Port.



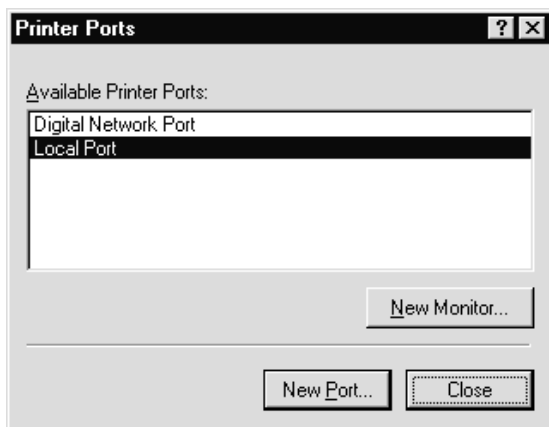
5. The following dialog appears. In the text box, type the following information:

\\name of computer that is connected to the printer\name of the shared printer

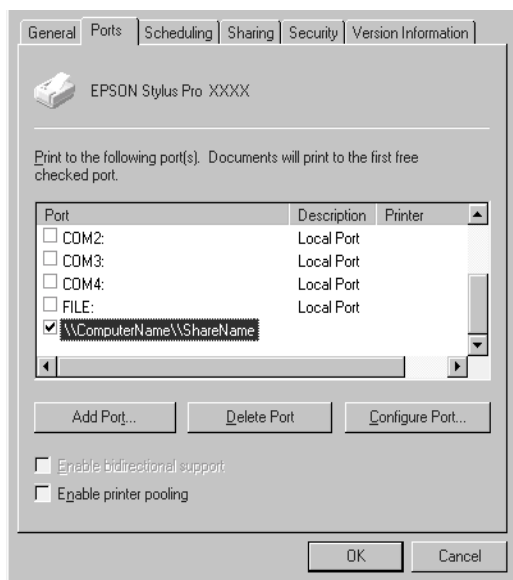


6. Then click OK.

7. In the Printer Ports dialog box, click Close to return to the Ports menu.



8. On the Ports menu, make sure that the new port is added and the check box is selected. Click OK to close the printer driver.



For Macintosh

This section tells you how to set up the printer for use on an AppleTalk network. By setting up your local printer as a shared printer, it becomes connected to the network and can be used by other computers.

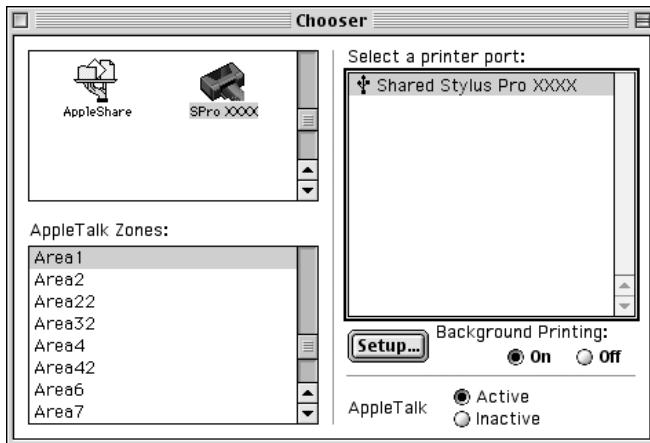
First, you need to setup the printer as a shared printer on the computer to which it is connected. Then, you must specify the network path to the printer from each computer that will use it, and install the printer software on those computers.

3

Setting up your printer as a shared printer

Follow these steps to share a printer connected directly to your computer with other computers on an AppleTalk network.

1. Turn on the printer.
2. Select Chooser from the Apple menu and click the printer's icon. Then, select the port to which the printer is connected.



3. Click the Setup button. The following dialog box appears.



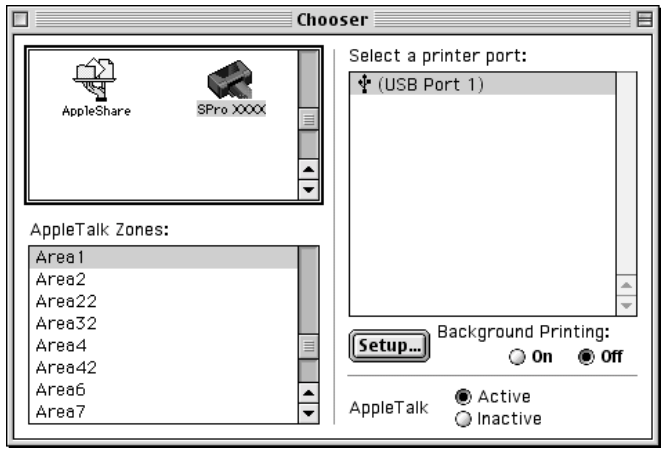
4. Select the Share this Printer check box, then type the printer name and password information as needed.
5. Click OK. The name of the shared printer appears in the port list in the Chooser.
6. Close the Chooser.

Accessing the printer through a network

To access your printer from another computer on the network, follow these steps.

1. Turn on your printer.

2. On each computer from which you want to access the printer, select Chooser from the Apple menu. Then click your printer's icon and select the printer port you want to use from the "Select a printer port" box on the right. You can only select from the printers connected to your current AppleTalk zone.



3. If the following dialog box appears, enter the password for the printer, then click OK.



4. Select the appropriate Background Printing option button to turn background printing on or off.
5. Close the Chooser.

Testing the Printer

Before printing your first page, you need to check the printer nozzles and confirm the print head alignment. If necessary, cleaning the print head.

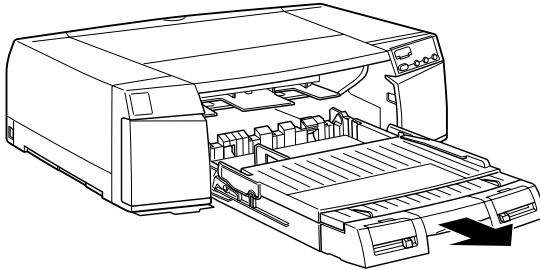
Loading paper in a paper tray

Before checking the printer condition, follow the instructions below to load several sheets of paper into the paper tray.

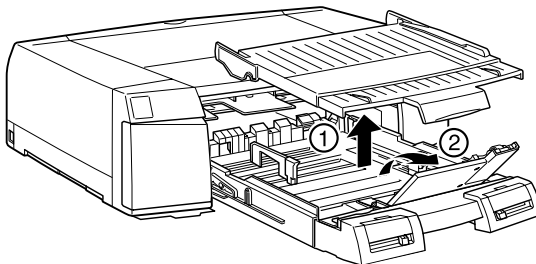
Note:

Read the enclosed instruction sheets before loading EPSON special media.

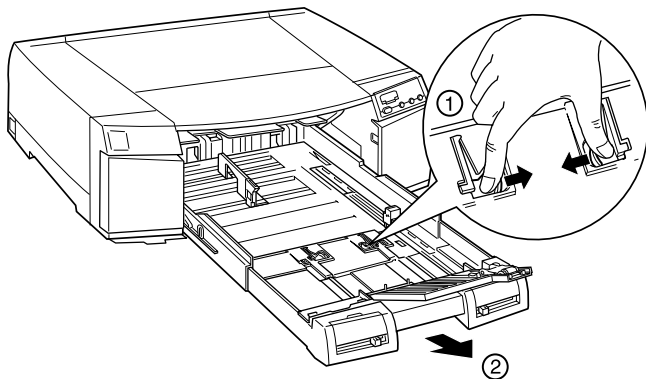
1. Lift the paper tray slightly up and pull it out until you feel slight resistance.



2. Lift up the paper tray cover and open the paper guide roller.



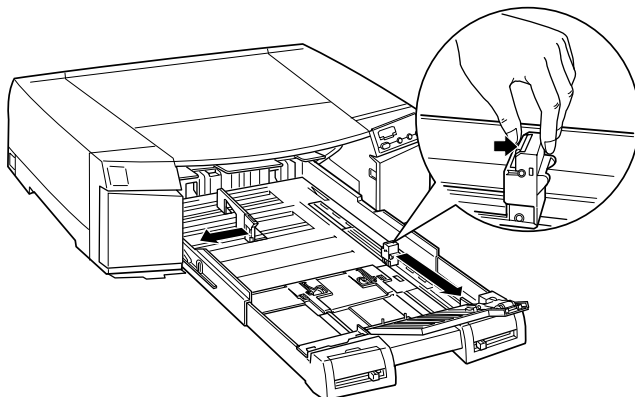
3. If you load A3, US B, Super A3/B, or larger paper, release the extension lock and pull out the paper tray to the full length.



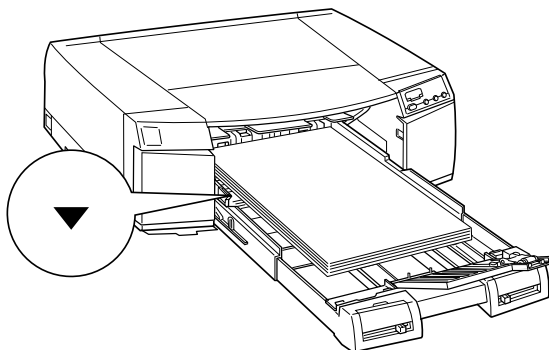
Note:

The paper tray should not be extended when loading paper of Legal size or smaller.

4. Slide both edge guides out as far as they will go.

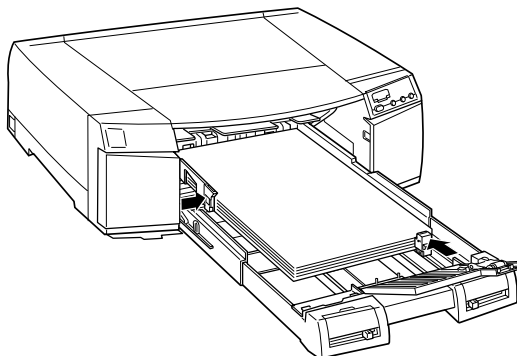


5. Load the sheets of paper with the printable surface down and the right edge of the paper resting against the right side of the paper tray. Make sure the sheets lie flat on the bottom of the tray.

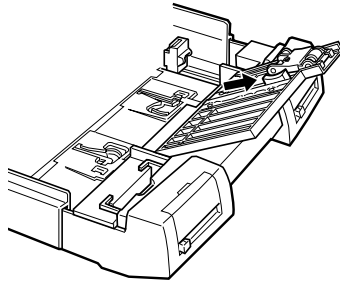


Note:

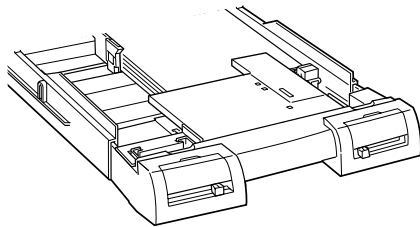
- ❑ *If your paper is curled, flatten it before you load it. If it curls excessively and jams frequently, stop using it.*
 - ❑ *When you load the sheets of paper, make sure to put the edge of the paper against the right inner corner of the paper tray. Otherwise, the printing may become misaligned.*
6. Slide the edge guides against the edges of the paper stack.



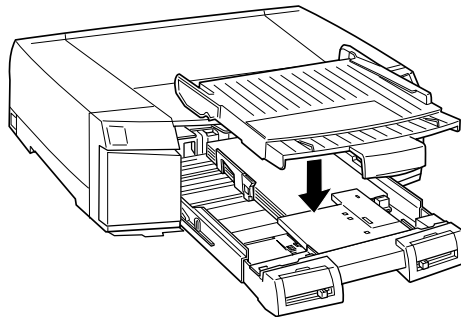
- 7. Slide the switch to the paper guide roller position to match the paper size you are loading.



- 8. Close the paper guide roller. Confirm that the paper guide roller is on the edge of the paper.

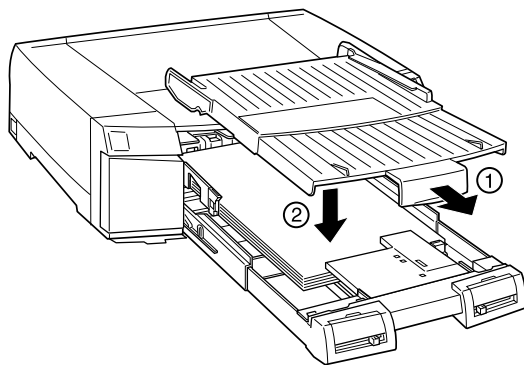


- 9. Attach the paper tray cover.



Note:

If you have extended the paper tray, first slide out the paper tray cover then attach the paper tray cover.



10. Firmly slide in the paper tray until it meets resistance.

Paper size/media type lever settings

Set the paper size and media type levers to match the paper you loaded. Set the media type and paper size levers to the Other position if you are unsure of the correct settings.

For the installation positions of the paper size lever and media type lever, see “Front view” on page 2-6.

Note:

- The paper size and media type lever settings you make in the paper tray can be overridden by the Paper Size and Media Type settings you make in your printer driver or application. The main purpose of this selection is to send a paper size or media type mismatch message to the printer driver in case the media loaded in the printer does not match the media you select in the software. You can turn off the notification function by selecting Other as the printer’s paper size and media type settings.*

- Select Other for unlisted paper sizes or media types.*

- ❑ *If ink smears on the paper, select Thick Paper as the media type setting.*
- ❑ *If you set the paper size or media type lever incorrectly, you may not get the print results you expect.*

Checking the printer nozzles

Follow the steps below to use the Nozzle Check utility.

Note:

Do not use the Nozzle Check utility while printing is in progress; otherwise, your printout may be marred.

For Windows users

1. Load the several sheets into the paper tray referring “Loading paper in a paper tray” on page 3-26.
2. Access the printer software. For details, see “Accessing the printer software for Windows” on page 3-13.
3. Click the Utility tab, then click the Nozzle Check button.
4. Follow the instructions on your screen.

For Macintosh users

1. Load the several sheets into the paper tray referring “Loading paper in a paper tray” on page 3-26.
2. Access the printer software. For details, see “Accessing the printer software for Macintosh” on page 3-14.
3. Click the Utility icon, then click the Nozzle Check button.
4. Follow the instructions on your screen.

If the printed pattern is faint or some dots are missing, like in the sample shown below, you need to clean the print heads. To do so, press the Cleaning button for 3 seconds.



Aligning the print heads

Follow the steps below to use the Print Head Alignment utility.

1. Load several sheets of Super A3/B size Archival Matte Paper (This paper is included in your printer package) in the paper tray. To load the paper, see “Loading paper in a paper tray” on page 3-26.
2. Access the printer software. For details, see “Accessing the Printer Software” on page 3-13.
3. For Windows users, click the Utility tab, then click the Print Head Alignment button. For Macintosh users, click the Utility icon in the Print or Page Setup dialog box, then click the Print Head Alignment button.
4. Follow the messages on your screen to align the print head.