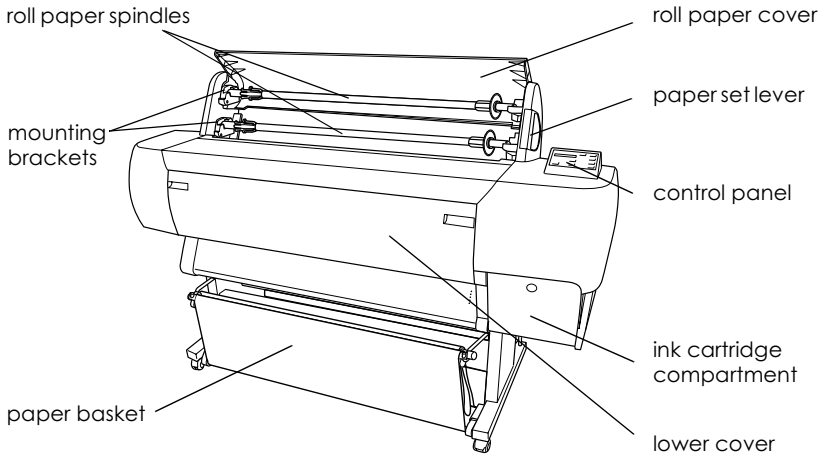
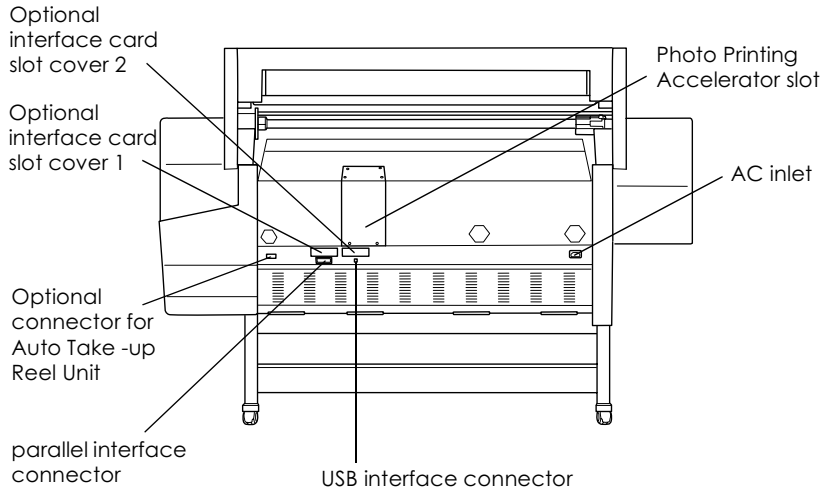


Printer Parts

Front view



Rear view



EPSON STYLUS™ PRO 10000/10000CF

Color Ink Jet Printer

All rights reserved. No part of this publication may be reproduced, stored in a retrieval system, or transmitted in any form or by any means, mechanical, photocopying, recording, or otherwise, without the prior written permission of SEIKO EPSON CORPORATION. No patent liability is assumed with respect to the use of the information contained herein. Neither is any liability assumed for damages resulting from the use of the information contained herein.

Neither SEIKO EPSON CORPORATION nor its affiliates shall be liable to the purchaser of this product or third parties for damages, losses, costs, or expenses incurred by purchaser or third parties as a result of: accident, misuse, or abuse of this product or unauthorized modifications, repairs, or alterations to this product, or (excluding the U.S.) failure to strictly comply with SEIKO EPSON CORPORATION's operating and maintenance instructions.

SEIKO EPSON CORPORATION shall not be liable against any damages or problems arising from the use of any options or any consumable products other than those designated as Original Epson Products or Epson Approved Products by SEIKO EPSON CORPORATION.

EPSON and EPSON ESC/P are registered trademarks and EPSON ESC/P 2 is a trademark of SEIKO EPSON CORPORATION.

Speed, Fontware, FaceLift, Swiss, and Dutch are trademarks of Bitstream Inc.

CG Times and CG Omega are registered trademarks of Miles, Inc.

Univers is a registered trademark of Linotype AG and/or its subsidiaries.

Antique Olive is a trademark of Fonderie Olive.

Albertus is a trademark of Monotype Corporation plc.

Coronet is a trademark of Ludlow Industries (UK) Ltd.

Arial and Times New Roman are registered trademarks of Monotype Corporation plc.

General Notice: Other product names used herein are for identification purposes only and may be trademarks of their respective owners. EPSON disclaims any and all rights in those marks.

Copyright © 2001 by SEIKO EPSON CORPORATION, Nagano, Japan



Printed on Recycled Paper.

Contents

Chapter 1 The Control Panel

Buttons, Lights and Messages	1-1
Buttons	1-1
Lights	1-3
Status messages.	1-4
SelecType Settings	1-6
When to use SelecType	1-6
Basic SelecType setting procedure.	1-6
SelecType menus	1-8
Printing a nozzle check pattern	1-13
Performing the head alignment	1-14
Aligning the print heads	1-14
Setting the paper thickness	1-16
Printing a status sheet	1-18
SelecType in Summary	1-20
SelecType mode chart	1-20
SelecType menu list	1-21

Chapter 2 Maintenance Mode

Maintenance Mode	2-1
How to enter the maintenance mode	2-1
Items	2-1
Hex dump	2-2
Language	2-2
MW7	2-3

Chapter 3 Printer Software

Printer Software Introduction	3-1
Accessing the Printer Software	3-1
Accessing the printer software for Windows.	3-2

Accessing the printer software for Macintosh	3-2
Using the Printer Driver	3-3
Making the Media Type setting	3-3
Using the Automatic and Custom modes	3-5
Adjusting page orientation and printable area	3-14
Fitting documents onto the page	3-18
Using the Printer Utilities	3-19
Accessing the printer utilities for Windows	3-21
Accessing the printer utilities for Macintosh	3-22
Using Printer and Option Information (Windows only) ..	3-22
Speed & Progress (Windows only)	3-24
Getting Information Through Online Help	3-25
Accessing help from Windows	3-26
Accessing help from Macintosh	3-26
Checking Printer and Print Job Status for Windows	3-27
Using the Progress Meter	3-27
Using the EPSON Spool Manager	3-28
Using EPSON Status Monitor 3	3-29
Checking Printer and Print Job Status for Macintosh	3-32
Using the EPSON StatusMonitor	3-32
Making Configuration Settings	3-33
Controlling Background Printing	3-34

Chapter 4 Printer Status and Print Job Management

Increasing the Print Speed (Windows only)	4-1
General tips	4-1
Using Speed & Progress	4-2
Port Configuration (Windows NT 4.0 only)	4-5
Updating to Windows Me	4-7
Updating the Driver in Windows 2000 and Windows NT 4.0 .	4-8
Uninstalling the Printer Software (Windows only)	4-8
Uninstalling the USB Host Device Driver (Windows Me and 98 only)	4-9

Chapter 5 Paper Handling

Notes for Special Media and Other Media	5-1
Using EPSON special media.	5-1
Using paper other than EPSON special media	5-2
Using Roll Paper	5-2
Attaching the roll paper to the spindle	5-2
Removing the roll paper from the spindle	5-3
Attaching and removing the spindle from the printer	5-4
Loading the roll paper	5-7
Using the roll paper belt	5-12
Cutting roll paper or printing page lines	5-13
Using Cut Sheet Media	5-15
Loading cut sheet media	5-15
Printing on thick paper (0.5 to 1.6 mm).	5-19
Setting the Paper Basket	5-21
When feeding paper backward (up to B1 size; landscape)	5-22
When feeding paper backward (up to super B0 size)	5-23
When feeding paper forward (Roll Paper Banner; thick [0.5 mm and more] cut sheet)	5-24

Chapter 6 Maintenance and Transportation

Replacing Ink Cartridges	6-1
Replacing the Paper Cutter	6-5
Cleaning the Printer	6-9
If you have not used your printer for a long time	6-10
Transporting the Printer	6-10
A long distance	6-10
A short distance	6-11
Setting up the printer after transporting it	6-14

Chapter 7 Troubleshooting

Printer Stops Printing Unexpectedly	7-1
Head cleaning, ink charging, or ink drying is in progress	7-1
An error has occurred	7-1
The Printer does not Turn on or Stay on	7-5
The Printer Prints Nothing	7-5

The printer is not correctly connected to the computer . . .	7-5
Your EPSON printer is not selected as the default printer	7-6
Printer port setting does not match the printer connection port	7-7
The printer driver does not have enough available memory (Macintosh)	7-7
The printer sounds like it is printing, but nothing prints .	7-8
Printouts are Not What You Expected	7-8
Incorrect or garbled characters	7-8
Incorrect margins	7-9
Inverted image	7-9
Blank pages print	7-9
Printed color differs from the color on the screen	7-10
A ruled line shifts	7-10
Printout has smears on the bottom edge	7-11
Print Quality Could be Better	7-11
Horizontal banding	7-11
Vertical misalignment or banding	7-12
Incorrect or missing colors	7-12
Faint printout or gaps	7-13
Blurry or smeared printout	7-13
Color Documents Print in Black Only	7-14
Printing Could be Faster	7-14
Roll Paper Cannot be Cut	7-15
Paper Feed or Paper Jam Problems Occur Frequently	7-16
Roll Paper does not Eject Properly	7-17
When feeding paper forward	7-18
When feeding paper backward	7-18
Clearing Paper Jams	7-19
Troubleshooting on the Optional Auto Take-up Reel Unit	7-21

Chapter 8 Product Information

Printer Specifications	8-1
Printing	8-1
Printable area	8-3
Mechanical	8-4
Electrical	8-4

Environmental	8-5
Initialization	8-6
Standards and Approvals	8-7
Paper	8-7
Ink cartridges	8-10
System Requirements	8-12
To use your printer with a PC	8-12
To use your printer with a Macintosh	8-13
Interface Specifications	8-14
Parallel interface	8-14
USB interface	8-15

Chapter 9 Options and Consumable Products

Options and Consumable Products	9-1
Options	9-1
Consumable products	9-3
EPSON special media	9-4

Chapter 10 Customer Support Information

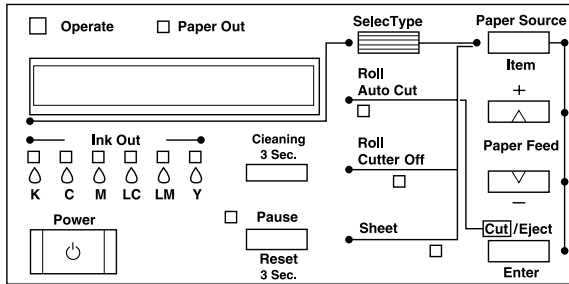
Contacting Customer Support	10-1
-----------------------------------	------

Glossary

The Control Panel

Buttons, Lights and Messages

The control panel of the printer consists of 8 buttons, 12 lights, and a 20-character liquid crystal display (LCD). The control panel layout is shown below.



Buttons

Power	Turns the printer on and off. Turn off the printer, then press this button while pressing and holding the Pause button to enter the maintenance mode. See "Maintenance Mode" on page 2-1.
Cleaning 3 Sec.	Print head cleaning is performed when pressed for 3 seconds. Before cleaning, make sure that thick paper is not loaded in the printer.

<p>Pause (Reset 3 Sec.)</p>	<p>Stops printing temporarily. Press a second time to resume printing.</p> <p>Clears print data in the printer memory if pressed and held for 3 seconds.</p> <p>When pressed in SelectType mode, the printer returns to READY status.</p>
<p>SelectType</p>	<p>Enters SelectType mode when pressed in READY status. When pressed in SelectType mode, a desired menu can be selected.</p>
<p>Paper Source (Item)</p>	<p>Selects the paper source: Roll Auto Cut, Roll Cutter Off or Sheet.</p> <p>When pressed in SelectType mode, a desired item can be selected from the menu.</p>
<p>Paper Feed ▲ (+)</p>	<p>Feeds paper in reverse. When pressed in SelectType mode, a desired parameter can be selected from the selected item. Parameters change in forward order.</p>
<p>Paper Feed ▼ (-)</p>	<p>Feeds paper forward. When pressed in SelectType mode, a desired parameter can be selected from the selected item. Parameters change in reverse order.</p>
<p>Cut/Eject (Enter)</p>	<p>When the Sheet light is on: Ejects the cut sheet.</p> <p>When the Roll Auto Cut light is on: Feeds the roll paper before cutting it.</p> <p>When the Roll Cutter Off light is on: Feeds the roll paper to the guide on the platen.</p> <p>When the Roll Cutter Off light is on and the Print Page Line is on: Feeds the roll paper and then prints a page line below the document. See "PAGE LINE" on page 1-9.</p> <p>Note: This button is operable during the ink drying process.</p> <p>When pressed in SelectType mode, it sets the selected parameter in the selected item as the default value. If the selected item is for execution only, the item will be executed.</p>

Lights

■ = On, □ with three vertical lines above it = Flashing, □ = Off

■ Operate	The printer is on.
□ with three vertical lines above it Operate	The printer is receiving print data or shutting down.
□ Operate	The printer is off.
■ Paper Out	The paper is out, the paper set lever is in the released position, or the loaded paper is too thick for head cleaning.
□ with three vertical lines above it Paper Out	The paper is jammed, or another paper output error has occurred. See "Printer Stops Printing Unexpectedly" on page 7-1.
□ Pause	The printer is ready to print data.
□ with three vertical lines above it Pause	The printer mechanism is moving in preparation for printing, the printed paper is drying for a set time, or the head is being cleaned.
■ Pause	The printer is in pause mode or in SelecType mode, or an error has occurred. See "Printer Stops Printing Unexpectedly" on page 7-1.
■ Ink Out K	The black ink is out or the black ink cartridge is not installed correctly.
□ with three vertical lines above it Ink Out K	The black ink is low. The black ink cartridge is nearly empty. Obtain a replacement ink cartridge.
■ Ink Out C	The cyan ink is out or the cyan ink cartridge is not installed correctly.
□ with three vertical lines above it Ink Out C	The cyan ink is low. The cyan ink cartridge is nearly empty. Obtain a replacement ink cartridge.
■ Ink Out M	The magenta ink is out or the magenta ink cartridge is not installed correctly.
□ with three vertical lines above it Ink Out M	The magenta ink is low. The magenta ink cartridge is nearly empty. Obtain a replacement ink cartridge.
■ Ink Out LC	The light cyan ink is out or the light cyan ink cartridge is not installed correctly.
□ with three vertical lines above it Ink Out LC	The light cyan ink is low. The light cyan ink cartridge is nearly empty. Obtain a replacement ink cartridge.

■ Ink Out LM	The light magenta ink is out or the light magenta ink cartridge is not installed correctly.
☐ ^{LM} Ink Out LM	The light magenta ink is low. The light magenta ink cartridge is nearly empty. Obtain a replacement ink cartridge.
■ Ink Out Y	The yellow ink is out or the yellow ink cartridge is not installed correctly.
☐ ^Y Ink Out Y	The yellow ink is low. The yellow ink cartridge is nearly empty. Obtain a replacement ink cartridge.
■ Roll Auto Cut	Auto Cut is selected. The roll paper will be automatically cut after printing.
☐ ^{LM} Roll Auto Cut	Roll paper is selected in the printer driver, but Sheet is selected at the control panel.
■ Roll Cutter Off	Printing occurs continuously without cutting.
☐ ^{LM} Roll Cutter Off	Roll paper is selected in the printer driver, but Sheet is selected at the control panel.
■ Sheet	Sheet is selected. Printing is on single sheet paper. The printer ejects the paper.
☐ ^{LM} Sheet	Sheet is selected in the printer driver, but Roll Auto Cut or Roll Cutter Off is selected at the control panel.
■ All lights	Reset has been executed by pressing the Pause button for 3 seconds or more.

Status messages

The following messages show the printer status. For error messages, see “Printer Stops Printing Unexpectedly” on page 7-1.

READY	W*	Ready to print data.
POWER OFF		The printer is being turned off.
INK DRY nn MIN	W*	Drying ink after printing. Wait for "nn" minutes.
RESET		The printer is being reset.
PRESS PAUSE BUTTON		The Pause button should be pressed.
PRINTING	W*	Receiving print data.
WAIT	W*	The printer is warming up, charging ink or initializing.
PAUSE		The printer is paused. To resume printing, press the Pause button.
NO INK CARTRIDGE		You are replacing the ink cartridge(s).
INK LOW		Ink cartridge(s) is (are) nearly empty. Replace the ink cartridge(s) indicated by the Ink Out light(s). When the ink cartridge(s) is (are) out, printing stops. Printing can be resumed after empty cartridge(s) have been replaced.
LOAD PAPER		Set the paper set lever to the released position while loading paper. When you load paper and push the lever down, PRESS PAUSE BUTTON appears.
TURN PWR OFF AND ON		After clearing jammed paper, this message appears. Turn the printer off and on.
INK CHARGING nnn%		The printer is charging the ink delivery system. This message shows the progress of the ink charging process.
MAINTENANCEREQ. nnnn		A part used in the printer has nearly reached the end of its service life. Note the error number "nnnn" and contact your dealer. See "Contacting Customer Support" on page 10-1.
CLOSE INK CART. COVER		The ink compartment cover is open. Close the cover.
NOZZLE CHECK ERROR		Correct test printing is not printed while Auto Nozzle Check is performed.

COMMAND ERROR	This message is displayed in the following cases: 1. When you set the driver setting to use the photo printing accelerator, but the photo printing accelerator is not installed. 2. When the installed printer software is not correct for your printer. 3. When damaged data is sent to the printer while using the photo printing accelerator.
WRONG CARTRIDGE	This message is displayed when a wrong type of ink cartridge is installed.
INVALID CARTRIDGE	This message is displayed if an ink cartridge with wrong the product number is installed.

* Indicates the Platen Gap setting is set to WIDE. When AUTO is selected, no letter appears.

SelectType Settings

When to use SelectType

The SelectType mode enables you to make printer settings similar to those you would normally make in the driver or software, as well as other additional settings – directly through the control panel. Keep the following points in mind when making SelectType settings:

- ❑ Application programs may send commands to the printer that override SelectType settings. If you are not getting the results you expect, check your application settings.
- ❑ To see the current SelectType settings, print a status sheet.

Basic SelectType setting procedure

The following shows the basic SelectType setting procedure.

1. Enter the SelectType mode

Make sure that `READY` is displayed on the LCD panel, then press the `SelectType` button.

The first menu, `PRINTER SETTING MENU` is displayed.

2. Select a menu

Press the `SelectType` button to select a desired menu.

For example: `PRINTER SETTING MENU`

To return to the `READY` status, press the `Pause` button.

3. Select an item

Press the `Item` button. The first item of the selected menu is displayed. Press the `Item` button to select a desired item.

For example: `PAGE LINE = ON*` (* shows that the displayed parameter is the default value.)

If the item is for execution only, press the `Enter` button to execute the function for the item. After execution, the printer exits `SelectType` mode and returns to the `READY` status.

For example: `INIT. PANEL = EXEC` (Initializes the current panel settings to the factory-set values.)

4. Select a parameter

Press the `+` or `-` button to select a parameter for the item.

For example: `PAGE LINE = OFF`. Note that the asterisk (*) disappears. This means that the selected parameter (`OFF`) is not yet stored as the default value.

To display the next item without changing the default value, press the `Item` button.

5. Set the parameter

Press the `Enter` button to store the selected parameter as the factory set value.

For example: `PAGE LINE = OFF*` is displayed.

Press the `Item` button to return to step 3 if you want to select another item.

6. Exit the SelectType mode

Press the PAUSE button.

Note:

- ❑ To exit the SelectType mode at anytime, press the Pause button.
- ❑ To return to step 2, press the SelectType button. Press the SelectType button again to exit the SelectType mode.

SelectType menus

The six SelectType menus are described below.

"Printer Setting menu (PRINTER SETTING MENU)" on page 1-8	Various printer settings are available.
"Test Print menu (TEST PRINT MENU)" on page 1-11:	You can print a nozzle check pattern and status sheet.
"Printer Status menu (PRINTER STATUS MENU)" on page 1-11	You can see the firmware version, total prints since delivery, and ink cartridge/parts life, on the LCD.
"Paper Configuration menu (PAPER CONFIG.MENU)" on page 1-12	You can register the paper thickness and ink drying time, and select the specified value.
"Cutter Replacement menu (CUTTER REPLACE MENU)" on page 1-12	Follow this menu when you replace the cutter. For details, see "Replacing the Paper Cutter" on page 6-5.
"Head Alignment menu (HEAD ALIGNMENT MENU)" on page 1-12	You can correct any head misalignment to obtain optimum printing results. For details, see "Performing the head alignment" on page 1-14.

Printer Setting menu (PRINTER SETTING MENU)

This menu allows you to make various settings which change the operation of the printer.

PLATEN GAP (Platen gap adjustment)

Normally, leave this set to AUTO. If you find that the printed image is smeared, select WIDE.

PAGE LINE

Select whether page lines are printed on the roll paper.

The Print Page Line operation changes according to the Auto Cut settings as shown.

Roll Auto Cut light	Print Page Line	Printer's Operation
On	On	Prints page line on the right side only, and cuts paper automatically after the print job.
On	Off	Cuts paper automatically after the print job.
Roll Cutter Off light	Print Page Line	Printer's Operation
On	On	Prints page lines on the right side and below the document.
On	Off	Does not print page lines nor cut.

Note:

When the Sheet light is on, the Print Page Line setting is not available.

INTERFACE (Interface selection)

When AUTO is selected, the printer automatically switches between interfaces depending on which one is receiving data first. If no more print jobs have been received, the printer returns to an idle state after 10 seconds or more. You can also select the interface from parallel, USB, option1, or 2.

CODE PAGE (Code page selection)

Select the code page from PC437 and PC850.

ROLL MARG (Roll paper margin selection)

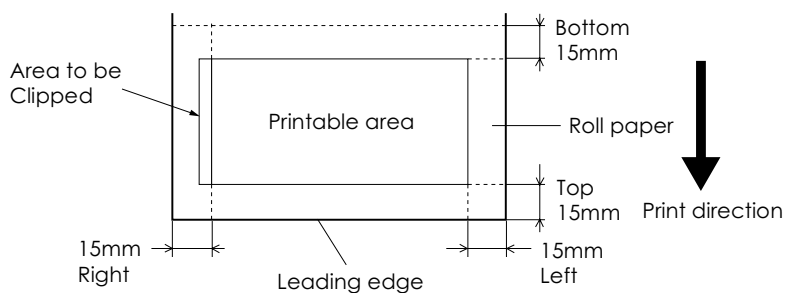
Select margins for roll paper from 3 mm, 15 mm, and T/B 15 mm.

Margin settings	Top/Bottom	Left/Right
3 mm	3 mm	3 mm
15 mm	15 mm	15 mm
T/B 15 mm	15 mm	3 mm

Note:

The combination of "Top/Bottom = 3 mm, Left/Right = 15 mm" is not selectable.

When the same image is printed with a 3 mm margin and a 15 mm margin and compared, you may notice that part of the right side of the 15 mm margin image is not printed.



PAPER SIZE CHK (Paper width detection)

When you select ON, the printer stops printing and RELOAD PAPER appears on the printer's control panel when the paper width loaded in the printer does not match the image width. When OFF is selected, the printer continues to print even if the paper width does not match the images and the printer may print off of paper.

INIT. PANEL (Panel settings initialization)

Erases all the SelecType settings that you have made, and resets them all to the factory default settings.

Test Print menu (TEST PRINT MENU)

This menu allows you to print test patterns.

NOZZLE CHECK (Nozzle check pattern printing)

Prints the nozzle check pattern for six colors. From the printing results, you can check for missing dots. Also, the firmware version is printed. For details, see “Printing a nozzle check pattern” on page 1-13.

You can perform nozzle check pattern printing using the utility.

STATUS CHECK (Status printing)

Prints the current SelecType status. For details, see “Printing a status sheet” on page 1-18.

Printer Status menu (PRINTER STATUS MENU)

This menu allows you to see the printer status from the LCD. This menu contains the following settings.

VERSION (Firmware version)

Shows the firmware version.

INK LEFT-C/M/LC/LM/Y/K (Remaining ink)

Displays the amount of ink left in the Cyan/Magenta/Light Cyan/Light Magenta/Yellow/Black ink cartridges.

E ***** F (100-81%)

E **** F (80-61%)

E ***	F	(60-41%)
E **	F	(40-21%)
E *	F	(20-11%)
nn%		(less than 10%)

TOTAL PRINTS, WASTE INK, CR MOTOR (Carriage motor life), PF MOTOR (Paper feed motor life), HEAD UNIT (Head unit life), CLEANER (Cleaning unit life), CUTTER LIFE

For maintenance service persons only.

Paper Configuration menu (PAPER CONFIG. MENU)

This menu allows you to register four kinds of paper thickness together with ink drying time from 1 to 4. You can select whether the paper thickness is determined automatically (STD (standard)) or by the registered value (1, 2, 3, or 4). You can also register the ink drying time for the STD setting. How to register and recall the paper thickness setting is described in "Setting the paper thickness" on page 1-16.

Cutter Replacement menu (CUTTER REPLACE MENU)

This menu enables you to replace the paper cutter. For a detailed description, see "Replacing the Paper Cutter" on page 6-5.

Head Alignment menu (HEAD ALIGNMENT MENU)

This menu allows you to correct any head misalignment to obtain optimum printing results. For details, see "Performing the head alignment" on page 1-14.

You can perform the head alignment using the utility for the paper supplied by EPSON.

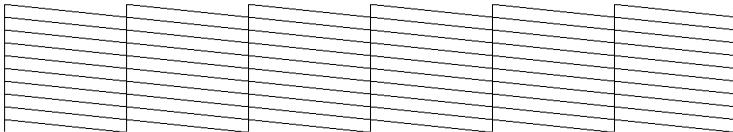
Printing a nozzle check pattern

A nozzle check pattern can be printed to check six colors for missing dots.

1. Load paper in your printer as described in “Using Roll Paper” on page 5-2 or “Using Cut Sheet Media” on page 5-15.
2. In SelectType mode, press the SelectType button until TEST PRINT MENU is displayed on the LCD panel.
3. Press the Item button to display NOZZLE CHECK.
4. Press the Enter button.
The nozzle check pattern is printed as shown below. After printing, the printer exits the SelectType mode and returns to the READY status.

Nozzle check pattern examples:

good



head cleaning necessary



If you find that any segments are missing from the test lines in the pattern, you need to clean the print heads. Press the Cleaning button on the control panel for more than 3 seconds or access the Head Cleaning utility from the EPSON printer utilities in your software. See “Using the Printer Utilities” on page 3-19.



Caution:

Before you start printing images, make sure that the nozzle check pattern printing is complete. Otherwise, print quality may decline.

Performing the head alignment

How to perform the head alignment by SelectType is described below.

General flow of the head alignment procedure

1. Load paper.
2. Set the paper thickness if necessary.
3. Print the alignment patterns (all or single).
4. For each alignment pattern, find the set that has the smallest gaps and register the number.

Aligning the print heads

1. Load paper in your printer as described in “Using Roll Paper” on page 5-2 or “Using Cut Sheet Media” on page 5-15.

Note:

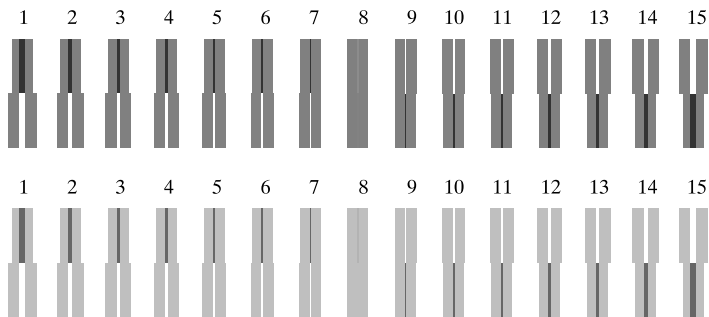
When you load roll paper, select Roll Cutter Off. Paper that is too thick may damage the paper cutter.

2. In SelecType mode, press the SelecType button until HEAD ALIGNMENT MENU is displayed on the LCD panel.
3. Press the Item button. PAPER THICK = STD appears. When you want to print on EPSON media, leave this setting as STD. When you want to print on non-EPSON media, enter the thickness value of the paper in 0.1 mm increments by pressing the + or - button.
4. Press the Enter button to register your value. ADJUST. PATT. = ALL appears.
5. If you want to print all the adjustment patterns, press the Enter button. If you want to print a single adjustment pattern, press the + or - button until the pattern number (#1 and #2) that you want to adjust appears. Then press the Enter button. The printer starts printing all the adjustment patterns or the selected pattern.

Note:

It takes 10 minutes or less to print all the adjustment patterns. Use of 0.5 m roll paper is necessary.

Head alignment pattern examples:



6. After printing, the pattern number and current set number are displayed (for example, #1 = 8). Select the set that has the smallest gaps, then press the + or - button to display the number for that set.

Note:

If set 8 shows the smallest gaps out of all the printed patterns, the print heads are aligned. Press the PAUSE button to exit the mode.

7. Press the Enter button to register the set number. The next pattern number appears. Then repeat step 6.
8. After you set the pattern(s), press the PAUSE button to return to the READY status.

Note:

You can return to step 6 by pressing the Enter button.

Setting the paper thickness

When you use media other than EPSON special media, you may need to set the paper thickness. You can select whether the thickness of the paper you are using is determined automatically (STD (standard)) or by the registered value (1, 2, 3, or 4) in the Paper Settings menu. To register and recall the settings you made, see the following sections. You can also register the ink drying time for respective paper settings including STD. To select the registered setting, see "Selecting the registered settings" on page 1-18.

Registering the settings

To register the paper thickness and ink drying time settings, follow the steps below.

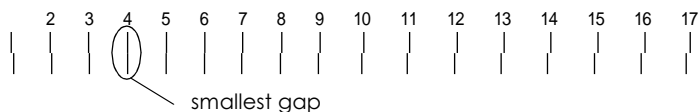
1. Load the paper which you want to check referring "Using Roll Paper" on page 5-2 or "Using Cut Sheet Media" on page 5-15.

Note:

When you load roll paper, select Roll Cutter Off. Paper that is too thick may damage the paper cutter.

2. In the SelectType mode, press the SelectType button until PAPER CONFIG. MENU appears on the LCD panel.
3. Press the Item button. PAPER NUMBER = STD* appears.
4. Press the + or - button to select the number you want to register as the setting. When you select STD, skip to step 8 to set the ink drying time.
5. Press the Item button. THICK. PAT. appears. Then press Enter. The printer prints the paper thickness test pattern.

Paper thickness test pattern example:



6. Examine the printed pattern to determine which set of lines are aligned (show the smallest gap), and note the corresponding number.
7. You may see PAPER THICK. NO. = 1*. Press the + or - button to select the number noted in step 5.

Note:

The default value depends on the PAPER THICK. value in the Head Alignment menu and is displayed as a PAPER THICK. NO. in the Paper Configuration menu as shown below:

PAPER THICK. value	PAPER THICK. NO.
0.0 MM	1
to	to
1.6 MM	17

8. Press the Enter button to save the selected value.
9. Press the Item button. DRYING TIME = 0 MIN* appears. Press the + or - button to select time in minutes.
10. Press the Enter button to save the selected value.
11. Press the Item button. SUCTION = NORM* appears. Press the + or - button to select NORM or LOW.

Note:

When you are loading very thin paper, set the Suction setting to LOW.

12. Press the Enter button to save the selected value.
13. Press the Pause button to exit the SelectType mode.

Selecting the registered settings

To select the registered settings, follow the steps below.

1. In the SelectType mode, press the SelectType button until PAPER CONFIG. MENU appears on the LCD panel.
2. Press the Item button. You may see PAPER NUMBER = 1*.
3. Press the + or - button to select the number registered that you want to use. Then press the Enter button.
4. Press the Pause button to exit the SelectType mode.

Printing a status sheet

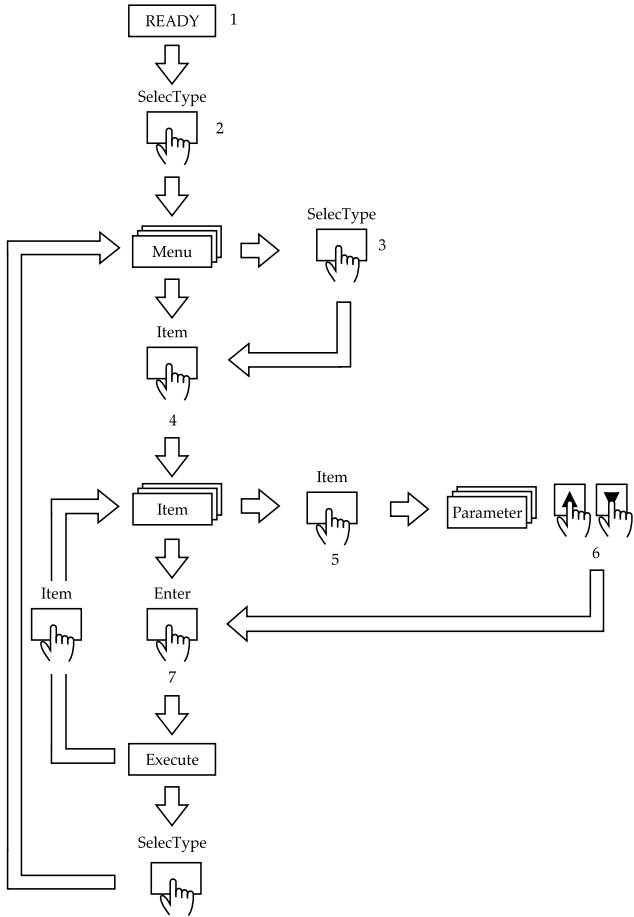
In SelectType mode, a status sheet can be printed to see the current SelectType default values.

1. Load paper as described in “Using Roll Paper” on page 5-2 or “Using Cut Sheet Media” on page 5-15.

2. In SelecType mode, press the SelecType button until TEST PRINT MENU is displayed.
3. Press the Item button until STATUS CHECK = PRINT is displayed.
4. Press the Enter button.
A status sheet is printed. After printing, the printer exits SelecType mode and returns to the READY status.

SelectType in Summary

SelectType mode chart



1	Status display
---	----------------

2	To forward to menu
3	To select menu ex) If you want to select the third menu, press this button three times.
4	To access the menu
5	To select items ex) If you want to select the third item, press this button three times.
6	To set parameters
7	To access the item

Note:

Press the Pause button any time to return to the READY status.

SelectType menu list

* Factory set value

Menu	Item	Parameters
PRINTER SETTING MENU	PLATEN GAP	AUTO*, WIDE
	PAGE LINE	ON*, OFF
	INTERFACE	AUTO*, PARA.USB, OPTION1, and OPTION2
	CODE PAGE	PC437*, PC850
	ROLL MARG	T/B 15 MM*, 3 MM, 15 MM
	PAPER SIZE CHK	ON*, OFF
	PAPER ALIGN CHK	ON*, OFF
TEST PRINT MENU	INIT. PANEL	EXEC.
	NOZZLE CHECK	PRINT
	STATUS CHECK	PRINT

PRINTER STATUS MENU	VERSION	XXXXXX
	INK LEFT-K	E*****F to E* F, 10 to 0%
	INK LEFT-C	E*****F to E* F, 10 to 0%
	INK LEFT-M	E*****F to E* F, 10 to 0%
	INK LEFT-LC	E*****F to E* F, 10 to 0%
	INK LEFT-LM	E*****F to E* F, 10 to 0%
	INK LEFT-Y	E*****F to E* F, 10 to 0%
	CUTTER LIFE	E*****F to E F
	TOTAL PRINTS	(nnnnnn)
	WASTE INK	E*****F to E F
	CR MOTOR	E*****F to E F
	PF MOTOR	E*****F to E F
	HEAD UNIT	E*****F to E F
	CLEANER	E*****F to E F
PAPER CONFIG. MENU	PAPER NUMBER	STD*, 1 to 4
	THICK. PAT.	PRINT
	PAPER THICK. NO.	1 to 17
	DRYING TIME	0* to 30 MIN
	SUCTION	NORM*, LOW
CUTTER REPLACE MENU	CUT. REPLACE	EXEC.
	OPEN LOWER COVER	-
	REPLACE CUTTER	-
	CLOSE LOWER COVER	-

HEAD ALIGNMENT MENU	PAPER THICK.	STD*, 0.0 MM to 1.6 MM (0.1 mm step)
	ADJUST. PATT.	-
	#1	1 to 15 (8*)
	#2	1 to 15 (8*)

Maintenance Mode

Maintenance Mode

Using the maintenance mode you can perform a hex dump and select the language to be displayed on the LCD.

How to enter the maintenance mode

While pressing and holding the Pause button, press the Power button to turn on the printer.

MAINTENANCE MODE is displayed on the LCD while the printer enters maintenance mode.

Items

Item	Parameters
HEX DUMP	PRINT
LANGUAGE	ENGLISH*, FRENCH, ITALIAN, GERMAN, SPANISH, PORTUGUE.
MW7	A*, B
Auto nozzle check	ON*, OFF
PARA, I/F	ECP*, COMPAT
IEEE1284.4	ON*, OFF

* Factory set value

Hex dump

Data received from the host can be printed out in hexadecimal numbers.

1. Load paper into the printer.
2. In maintenance mode, press the Item button to display HEX DUMP.
3. Press the Enter button.
The print data in the print buffer is printed with 16-byte hex. data in the left column, and corresponding ASCII characters in the right column.

Notes:

If the last data is less than 16 bytes, it is not printed until you press the Pause button.

Language

You can select the language to be displayed on the LCD.

1. In maintenance mode, press the Item button until LANGUAGE = ENGLISH* is displayed.
2. If you want to change the language, press the + or - button until a suitable language is displayed.
Example: LANGUAGE = FRENCH
3. Press the Enter button to set the language. Confirm that the READY message is displayed.
4. To exit the maintenance mode, press the Power button to turn off the printer.

Note:

To return to maintenance mode while an item is displayed, press the SelectType button.

MW7

MW7 is for test printing and shall only be used by a qualified service representative.

Printer Software Introduction

The printer software features a printer driver and printer utilities. The printer driver lets you choose from a wide variety of settings to get the best results from your printer. The printer utilities help you check the printer and keep it in top condition.

The printer software includes the printer driver and utility menus.

For information on making printer driver settings, see “Using the Printer Driver” on page 3-3.

For information on the printer utilities and how to access them, see “Using the Printer Utilities” on page 3-19.

Online help provides more information about the printer software. See “Getting Information Through Online Help” on page 3-25.

Note:

The specific features available in the printer software vary depending on the version of Windows you are using.

Accessing the Printer Software

To access the printer software installed in your computer, follow the instructions below.

Accessing the printer software for Windows

You can access the printer software from most Windows[®] applications, or from My Computer on the Windows desktop.

From Windows applications

1. Open the File menu and choose Print or Print Setup.
2. Click Printer, Setup, Options, or Properties. (Depending on your application, you may need to click a combination of these buttons.) The printer software window appears.

From My Computer

1. Double-click the My Computer icon, then double-click the Printers folder. For Windows[®] Millennium Edition and 2000, double-click the My Computer icon, Control Panel icon, then double-click the Printers folder.
2. For Windows Me, 98 and 95, right-click your printer icon, then click Properties. For Windows 2000, right-click your printer icon, then click Printing Preferences. For Windows[®] NT 4.0, right-click your printer icon, then click Document Defaults. You see the printer software window.

Note:

The specific features available in the printer software vary depending on the version of Windows you are using.

Accessing the printer software for Macintosh

You can access the printer driver settings in the following dialog boxes:

Print dialog box

Click Print on the File menu of your application or click Print Setup in the Page Setup dialog box.

Page Setup dialog box

Click Page Setup on the File menu of your application.

Using the Printer Driver

The printer driver software allows the computer to control the printer according to the settings you make for your printing requirements.

Making the Media Type setting

The Media Type setting determines what other settings are available, so you should always make this setting first.

On the Main menu (for Windows) and the Print dialog box (for Macintosh[®]), select the Media Type setting that matches the paper loaded in the printer. Find your paper in the list below, then select a corresponding Media Type setting. For some kinds of paper, you have several Media Type settings to choose from.

For EPSON Stylus Pro 10000:

Media Type setting	EPSON special media name
Plain Paper	-
Presentation Matte Paper	EPSON Presentation Matte Paper
Photo Paper	EPSON Photo Paper
Semigloss Photo Paper	EPSON Semigloss Photo Paper
Photo Glossy Paper	EPSON Photo Glossy Paper

Photo Semigloss Paper	EPSON Photo Semigloss Paper
Premium Luster Photo Paper	EPSON Premium Luster Photo Paper
Glossy Film	EPSON Glossy Film
Photo Quality Ink Jet Paper	EPSON Photo Quality Ink Jet Paper
Heavyweight Polyester Banner	EPSON Heavyweight Polyester Banner

For EPSON Stylus Pro 10000CF:

Media Type setting	EPSON special media name
DoubleWeight Matte Paper	EPSON Doubleweight Matte Paper
Glossy Paper - Photo Weight	EPSON Glossy Paper - Photo Weight
Premium Glossy Photo Paper	EPSON Premium Glossy Photo Paper
Premium Semigloss Photo Paper	EPSON Premium Semigloss Photo Paper
Photo Glossy Paper	EPSON Photo Glossy Paper
Photo Semigloss paper	EPSON Photo Semigloss Paper
Premium Luster Photo Paper	EPSON Premium Luster Photo Paper
Watercolor Paper - Radiant White	EPSON Watercolor Paper - Radiant White
Smooth Fine Art Paper	ESPON Smooth Fine Art Paper
Textured Fine Art Paper	EPSON Textured Fine Art Paper
Glossy Film	EPSON Glossy Film
Synthetic Paper	EPSON Synthetic Paper
Adhesive Synthetic Paper	EPSON Adhesive Synthetic Paper
Heavyweight Polyester Banner	EPSON Heavyweight Polyester Banner
Adhesive Vinyl	EPSON Adhesive Vinyl

Tyvek	EPSON Tyvek
Plain Paper	-

Note:

- The availability of special media varies by country.*
- When you are using paper other than EPSON special media, see “Notes for Special Media and Other Media” on page 5-1.*

Using the Automatic and Custom modes

These modes are arranged to give you two levels of control over the printer driver, as explained below.

Note:

These modes can be set on the Main menu.

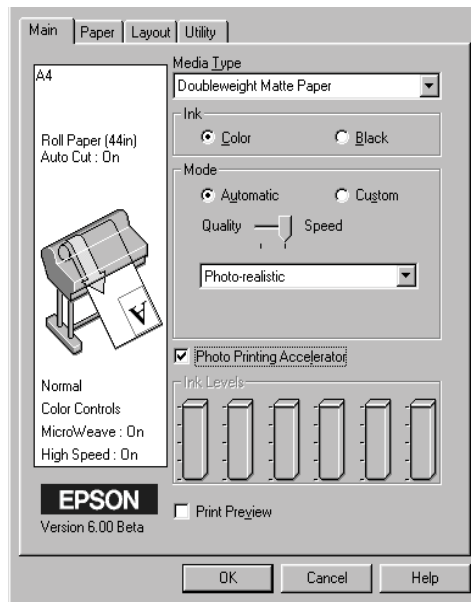
Automatic mode	The quickest and easiest way to start printing. See “Automatic mode” on page 3-6.
Custom mode	Corrects color and enhances photos. Useful for low resolution images. Choose from a list of ready-made settings suited to the kind of document you want to print. You can also add your own settings to this list. See “Custom mode” on page 3-7.

In addition to making groups of settings that affect the overall print quality, you can also modify individual aspects of the print style and layout using the Paper menu (for Windows) and Page Setup and Layout dialog boxes (for Macintosh). See “Adjusting page orientation and printable area” on page 3-14.

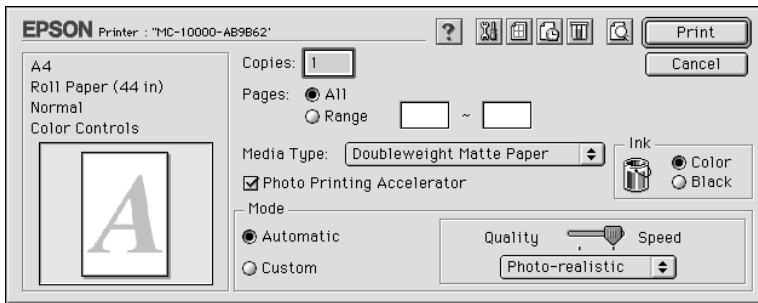
Automatic mode

When Automatic is selected on the Main menu (for Windows) or in the Print dialog box (for Macintosh), the printer driver takes care of all detailed settings based on the current Media Type and Ink settings. To make the Ink setting, click **COLOR** to print in color, or **BLACK** to print in black and white or grayscale. To make the Media Type setting, see “Making the Media Type setting” on page 3-3.

Main Menu (for Windows)



Print dialog box (for Macintosh)



Note:

- Depending on your print data, choose either Photo-realistic or Vivid from the pull down menu in the Mode box, so that you can get better results.
- Depending on the media you choose in the Media Type list while Automatic is selected, a slider appears in the Mode box that lets you choose Quality or Speed. Select Quality when print quality is more important than speed.
- Most Windows applications feature paper size and page layout settings that override similar settings in the printer driver. However, if your application does not, you should also verify the settings on the printer driver's Paper menu.

Custom mode

The Custom mode lets you make a wide range of changes with a single click of the mouse. In the Custom Settings list, you'll find ready-made settings provided by EPSON. They are designed to match particular kinds of printouts, such as graphs and charts for a presentation.

You can also create your own settings and add them to this list. See "Advanced setting" on page 3-9.

The Custom Settings list includes the following ready-made settings:

Text/Graph	Good for printing presentation documents such as graphs and charts.
ICM (For Windows Me, 98, 95, and 2000)	ICM (Image Color Matching). This feature automatically adjusts printout colors to match colors on your screen.
sRGB (For Windows)	Best for color matching with other sRGB devices.
ColorSync (For Macintosh)	This setting automatically adjusts printout colors to match colors on your screen.
Advanced Photo (For Macintosh)	Good for printing scanned photos and digitally-captured images in high quality. Also helps prevent the misprinting of ink dots that may occur due to the movement of the print heads and paper.

Follow the steps below to select a Custom setting:

1. Click the Custom button on the “Main Menu (for Windows)” on page 3-6 or in the “Print dialog box (for Macintosh)” on page 3-7.
2. From the Custom Settings list, select the most appropriate setting for the type of document or image you will print.

Note:

If you set the photo printing accelerator to ON, you can not choose Automatic mode.

3. When you choose a Custom mode, other settings such as Print Quality and Color Adjustment are set automatically. Changes are shown in the Current Settings display at the bottom of the Main menu (for Windows) or on the right side of the Print dialog box (for Macintosh).

4. Before printing, be sure to verify the Media Type and Ink settings, as they may be affected by the Custom setting you select. See “Making the Media Type setting” on page 3-3.

Advanced setting

The Advanced setting give you complete control over your printing environment. Use these settings to experiment with new printing ideas, or to fine-tune a range of print settings to meet your individual needs. Once you are satisfied with your new settings, you can give them a name and add them to the Custom Settings list.

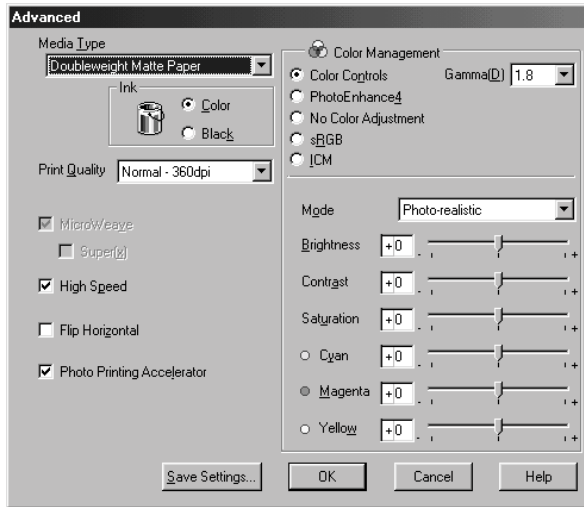
Follow the instructions below to make and save Advanced settings.

Note:

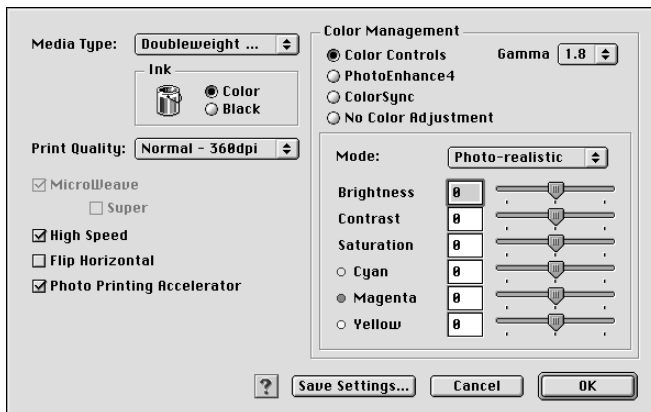
The printer driver screens that appear in this procedure are for Windows Me, 98, and 95. The appearance of the Windows 2000 and NT 4.0 printer driver screens differ only slightly.

1. Click the Custom button on the “Main Menu (for Windows)” on page 3-6 or in the “Print dialog box (for Macintosh)” on page 3-7 and then click Advanced. The following dialog box appears:

Advanced menu (for Windows)



Advanced dialog box (for Macintosh)



2. Select the Media Type loaded in the printer. For details, see “Making the Media Type setting” on page 3-3.
3. Choose Color or Black in the Ink options.

4. Select a Print Quality setting.
5. Make other settings as needed. For details, see online help.

Note:

Some settings are enabled or disabled depending on the Media Type, Ink, and Print Quality settings you make.

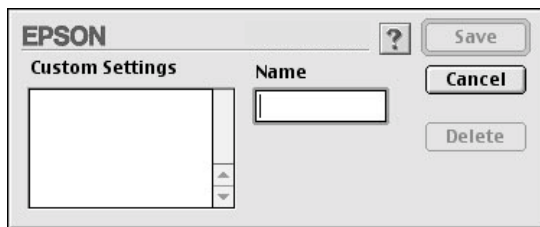
6. Click OK to apply your settings and return to the Main Menu (for Windows) or Print dialog box (for Macintosh). If you want to return to the previous screen without applying your settings, click Cancel.

To save your Advanced settings, click Save Settings in the Advanced settings dialog box. The Custom Settings dialog box appears:

Custom Settings dialog box (for Windows)



Custom Settings dialog box (for Macintosh)



Type a unique name (up to 16 characters) for your settings in the Name box, and click the **Save** button. Your settings will be added to the Custom Settings list.

You can save up to 10 groups of settings. You can select your saved group of settings from the settings list on the “Main Menu (for Windows)” on page 3-6 or in the “Print dialog box (for Macintosh)” on page 3-7.

Note:

- The names of the ready-made settings provided by EPSON cannot be applied to your new settings.*
- To delete a setting, select the setting in the Custom Settings dialog box and click **Delete**.*
- You cannot delete ready-made settings from the Custom Settings list.*

When you select your saved settings in the Custom Settings list, be aware that making new settings, for example Media Type and Ink settings, may change your custom settings. This may cause unexpected results in your printout. If this happens, reselect your saved settings and try printing again.

PhotoEnhance mode

The PhotoEnhance settings provide a variety of image-correction settings that you can apply to your photo images before printing. PhotoEnhance does not affect your original data. Click PhotoEnhance radio button on the Advanced menu (for Windows) or in the Advanced dialog box (for Macintosh).

Selecting PhotoEnhance also enables the Digital Camera Correction check box. Select this check box when you are printing photos taken with a digital camera to give your printed images the smooth, natural appearance of photographs taken with a film camera.

Note:

- This mode is available only when 16-, 24-, or 32-bit color data.*
- This mode is available only when 32-bit color is selected as your monitor display setting for Macintosh.*
- Printing with PhotoEnhance selected may increase the time required for printing, depending on your computer system and the amount of data contained in your image.*

You can select from the following settings. Click the arrow on the right of the drop-down menu.

Tone

Normal	This setting provides standard image correction for most photos. Try this first.
Hard	This setting provides modulate image correction for your print data.
Vivid	This setting provides chromatic and vivid image correction for your print data.
Sepia	This setting applies a sepia tone to your photos.
Monochrome	This setting applies a black and white tone to your print data.
None	No color adjustment is applied.

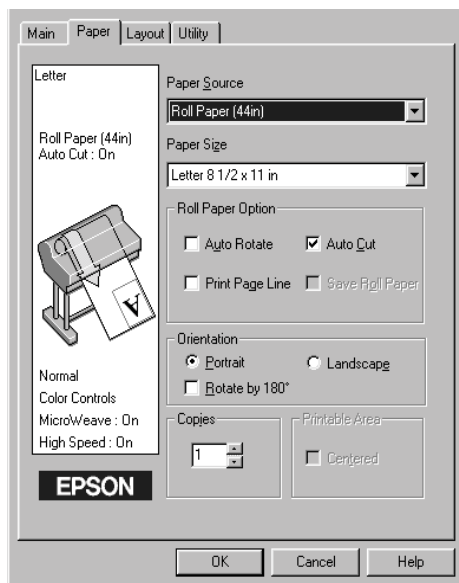
Effect

Sharpness	This setting provides enhanced outline to your print data.
Soft-focus	This setting makes your photos look as if they were taken with a soft-focus lens.
Canvas	This setting provides an image correction as if they were drawn on a canvas to your print data.
Parchment	This setting provides an image correction as if they were drawn on a parchment to your print data.
None	No image effect is applied.

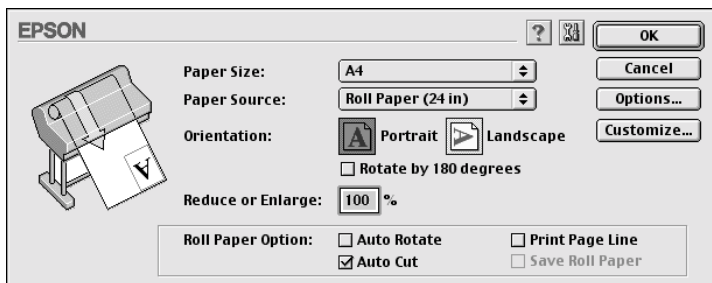
Adjusting page orientation and printable area

You can adjust the page orientation and printable area on the Paper menu for Windows or in the Page Setup dialog box for Macintosh.

Paper menu (for Windows)



Page Setup dialog box (for Macintosh)



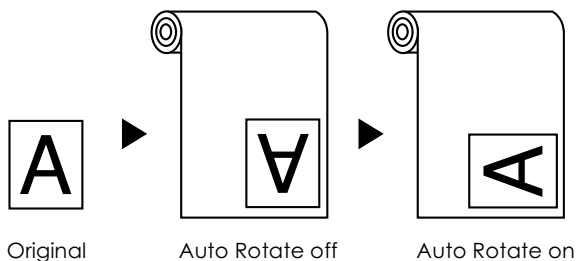
You can change the following settings:

Orientation	Use this setting to specify the direction of printing on the page: Portrait (vertical), or Landscape (horizontal). If you need to print close to the bottom of the page, click Rotate by 180°.
Printable area (for Windows)	Select Centered to position your printout at equal distances from the edges of the paper. This setting is available only for sheets.
Reduce or Enlarge (for Macintosh)	Lets you define the percentage you want to enlarge or reduce on image. Make setting from 25 to 400%. This setting is available only for sheets.

Using the Roll Paper Settings

Auto Rotate

The Auto Rotate function is effective only when the print data length is shorter than the printable width of the roll paper (22, 24, 36, or 44 inches). The print data will automatically be turned 90 degrees to print crosswise, saving roll paper.



To enable Auto Rotate, select the Auto Rotate check box in the Roll Paper Settings box on the “Paper menu (for Windows)” on page 3-15, or the Auto Rotate check box in the “Page Setup dialog box (for Macintosh)” on page 3-15.

Auto Cut

When Auto Cut is selected the roll paper will be cut automatically after each print job.

Note:

If you use Cloth as an EPSON special media, select Roll Cutter Off mode rather than Auto Cut mode.

To enable Auto Cut, select the Auto Cut check box in the Roll Paper Settings box on the “Paper menu (for Windows)” on page 3-15 or the Auto Cut check box in the “Page Setup dialog box (for Macintosh)” on page 3-15.

Print Page Line

You can specify whether to print a page line on the right side, and also below the document for manual cutting.

To enable Print Page Line, select the Print Page Line check box in the Roll Paper Settings box on the “Paper menu (for Windows)” on page 3-15, or the Print Page Line check box in the “Page Setup dialog box (for Macintosh)” on page 3-15.

The Print Page Line operation changes according to the Auto Cut setting as shown.

Auto Cut	Print Page Line	Printer's Operation
Selected	Selected	Prints page line on the right side only, and cuts paper automatically after the print job.
Selected	Not selected	Cuts paper automatically after the print job.
Not selected	Selected	Prints page lines on the right side and below the document.
Not selected	Not selected	Does not print page lines nor cut.

Save Roll Paper

Select this check box when you wish to save roll paper. When this check box is selected, the blank portion of the last page of your document is not fed through the printer. This function is available only when Roll Paper (Banner) is selected from the Paper Source list.

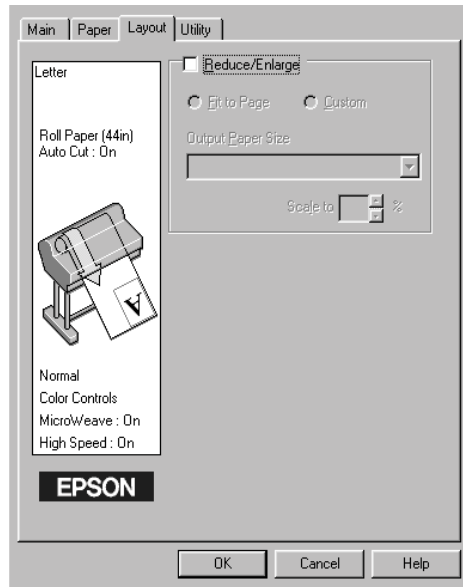
Note:

When Sheet is selected from the Paper Source list, the Roll Paper Settings (Auto Rotate, Auto Cut, and Print Page Line) are not available.

Fitting documents onto the page

You can fit the size of your document to the size of the paper you will print on. Open the Layout menu (for Windows) or the Layout dialog box (for Macintosh) and check the Reduce/Enlarge box to adjust the print size.

Layout menu (for Windows)




For Windows

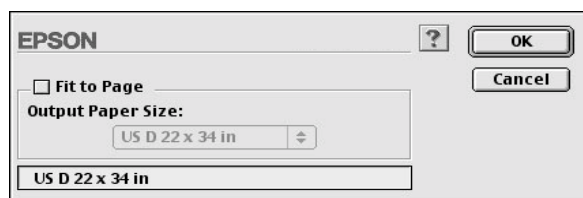
Use the Reduce/Enlarge options on the Layout menu.

Fit to Page	Proportionally enlarges or reduces the size of your document to make it fit the paper size you select in the Paper Size list in the Reduce/Enlarge box.
Custom	Lets you define the percentage you want to enlarge or reduce an image. Click the arrows next to the Scale box to select a proportion from 10 to 650%.

For Macintosh

To open the Layout dialog box, click Print on the File menu of your application, then click the  Layout icon in the “Print dialog box (for Macintosh)” on page 3-7.

Layout dialog box (for Macintosh)



Selecting this setting proportionally enlarge or reduces the size of the image to make it fit the paper size you selected in the Paper Size list. To use this function, click On and select the paper size you loaded in the printer.

Using the Printer Utilities

EPSON printer utilities allow you to check the current printer status and do some printer maintenance from your screen.

EPSON Status Monitor 3/EPSON StatusMonitor

You use the EPSON Status Monitor 3 or EPSON StatusMonitor utilities (depending on your system software) to check the printer status and the level of ink remaining in each cartridge.

Nozzle Check

To find out if nozzles are delivering ink properly, you can print a nozzle check pattern. If the nozzles are not delivering ink properly, missing dots will be evident in the print pattern. Printer nozzles for six colors can be checked at a time.



Caution:

Before you start printing images, make sure that nozzle check pattern printing is complete. Otherwise, print quality may decline.

Head Cleaning

When printing quality declines, or when clogged nozzles are evident after the nozzle check, the print heads need to be cleaned. Use this utility to perform the head clean, then perform the Nozzle Check again, as repeat head cleaning may be necessary.

Print Head Alignment

Print head alignment is necessary when a misalignment of vertical lines appears in the head alignment test pattern, or when banding is evident in your printouts.

Printer and Option Information

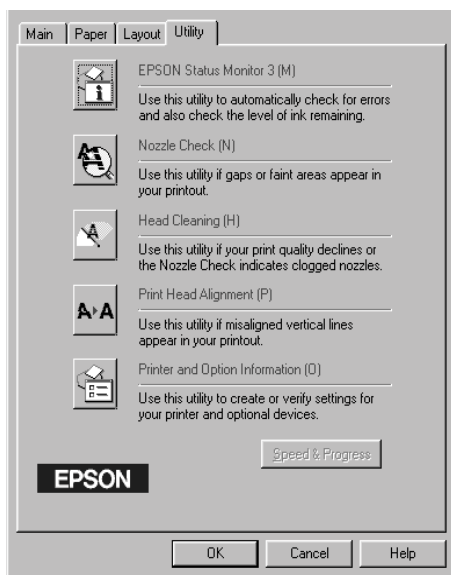
This utility allows the printer driver to confirm printer configuration information. It also provides specific information regarding certain characteristics of the printer, such as the Printer ID. See "Using Printer and Option Information (Windows only)" on page 3-22.

Note:

Make sure that the printer is finished printing before performing the Nozzle Check, Head Cleaning, or Print Head Alignment utilities. Otherwise your printout may be marred.

Accessing the printer utilities for Windows

By accessing the printer software, the printer driver and utility menus appear in the printer software window. To use the printer utilities, click the Utility tab in the printer software window, then, click the button of the utility you want to use.




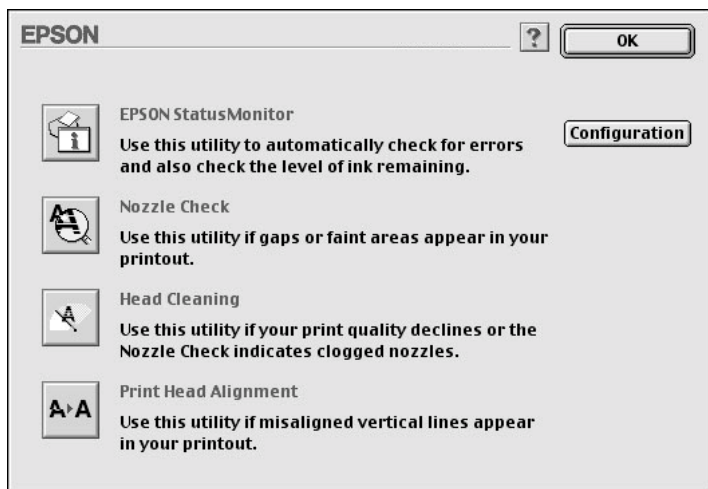
Note:

- The letter in parentheses after the utility name indicates the shortcut key for that utility. Press ALT and the letter on the keyboard to open that utility.*

- ❑ *While printing is in progress, pressing any of the utility buttons, except the EPSON Status Monitor 3 button, may mar your printouts.*

Accessing the printer utilities for Macintosh

Open the Print dialog box or Page Setup dialog box and click the  Utility icon to open the Utility dialog box. Then, click the button for the utility you want to use.



Note:

While printing is in progress, pressing any of the utility buttons, except the EPSON StatusMonitor button, may mar your printouts.

Using Printer and Option Information (Windows only)

Depending on the configuration of your system, the information displayed in the Printer and Option Information dialog box may be updated automatically, or may need to be updated manually.

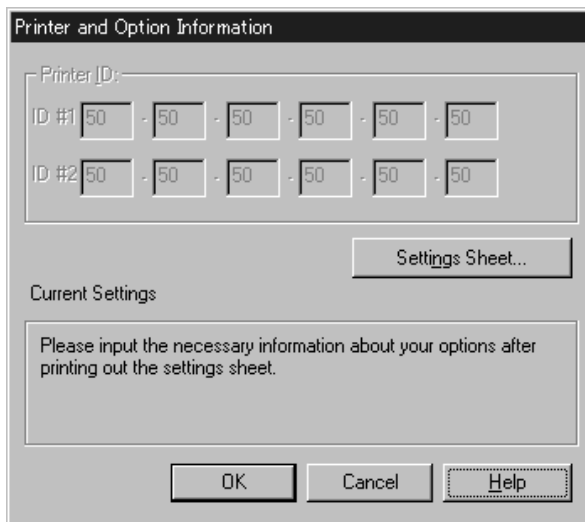
If a message appears in the Current Settings window prompting you to enter settings, or if you change the printer's configuration, follow the steps below to make the necessary settings manually.

1. Load paper in the printer, then click the Settings Sheet button in the Printer and Option Information dialog box. Information on your printer and options is printed out similar to that below.

Printer ID #1: 50-50-50-50-50-50

Printer ID #2: 50-50-50-50-50-50

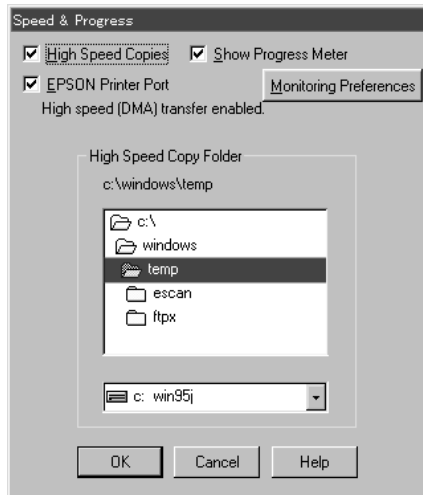
2. Make sure the information in the utility matches the printed information. If not, adjust the information on the screen to match the printed information.



3. Click OK to save your settings and exit the menu.

Speed & Progress (Windows only)

You can make settings related to print speed and progress in this dialog box. To enable the Speed & Progress button, open the printer software window as explained in “Accessing the printer software for Windows” on page 3-2, then click the Utility tab.



The available settings are as follows.

High Speed Copies

To print multiple copies of your document faster, select High Speed Copies.

Show Progress Meter

To monitor the progress of your print job, select Show Progress Meter.

EPSON Printer Port (For Windows Me, 98, and 95 only)

To speed up the data transfer rate to EPSON printers, select EPSON Printer Port.

If your computer supports ECP mode, enable DMA transfer to speed up printing.

For more details, see “Using Speed & Progress” on page 7-93.

Always Spool Raw Datatype (For Windows 2000 and NT only)

Select this check box to have Windows 2000 and NT-based clients spool documents using the RAW format instead of the EMF (metafile) format. (Windows 2000 and NT-based applications use the EMF format by default.)

Try using this option if documents spooled in EMF format do not print correctly.

Spooling RAW datatype requires fewer resources than EMF, so some problems (“Insufficient Memory/Disk Space to Print”, “Slow print speed”, etc.) can be solved by selecting the Always spool RAW datatype check box.

When spooling RAW datatype, print progress as displayed by the Progress Meter may differ from actual printing progress.

Monitoring Preferences

Click this button to open the Monitoring Preferences dialog box where you can make settings for EPSON Status Monitor 3. See “Making monitoring preference settings” on page 3-30.

Getting Information Through Online Help

Your printer software has an extensive online help feature, which provides instructions on printing, making printer driver settings, and using printer utilities.

Accessing help from Windows

Click the Start button, point to Programs and Epson (for Windows Me, 98, and 95) or EPSON Printers (for Windows 2000 and NT 4.0), and then click EPSON Stylus Pro 10000/10000CF Help. You see the help contents window.

Accessing help from your Windows application

By accessing the printer software, the printer driver and utility menus appear in the printer software window. Click the Help button at the bottom of the Main, Paper, and Utility menus for help related to the items on that menu.

Also you can get specific help related to any item on a menu by right-clicking the item, then clicking the What's This? prompt.

Accessing help from Macintosh

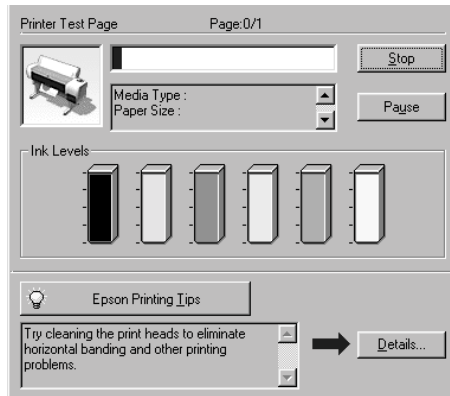
Open the Print dialog box or Page Setup dialog box and click the Help (marked with "?") icon to open the help contents dialog box.

You can access help in the printer driver and utility dialog boxes by clicking the Help icon or Help button.

Checking Printer and Print Job Status for Windows

Using the Progress Meter

When you send a print job to the printer, the Progress Meter opens, as shown in the illustration below.



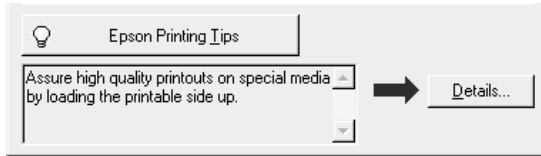
The Progress Meter indicates the progress of the current print job and provides printer status information when bidirectional communication between the printer and computer is established. This meter also displays helpful tips for better printing and error messages, as explained below.

Note:

The Progress Meter does not appear when the Show Progress Meter setting is turned off in the Speed & Progress dialog box. See "Using Speed & Progress" on page 7-93 for more information.

EPSON Printing Tips

Tips for getting the most out of your EPSON printer driver appear at the bottom of the Progress Meter window. A new tip appears every 30 seconds. For more details on a displayed tip, click the Details button.

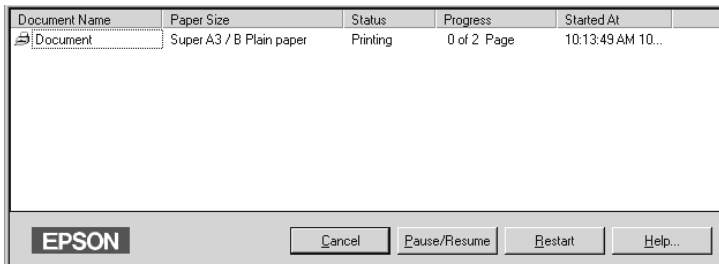


Using the EPSON Spool Manager

The EPSON Spool Manager is similar to Windows Print Manager. If it receives two or more print jobs at one time, it puts them in a line (or print queue) in the order received. When a print job reaches the top of the line, the EPSON Spool Manager sends the job to the printer.

For Windows Me, 98, and 95

Click the EPSON Stylus Pro 10000/10000CF button after it appears on the taskbar. You can see the status and information on the print jobs in line. You can also cancel, pause and resume, or restart selected print jobs using the Spool Manager.



Using EPSON Status Monitor 3

EPSON Status Monitor 3 displays detailed information on the printer status.

Note:

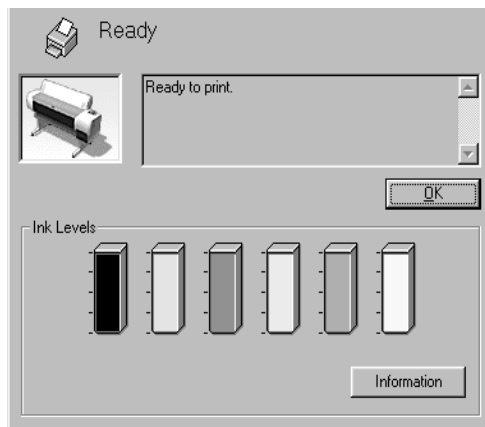
Before using EPSON Status Monitor 3, be sure to read its READ ME file. To open this file, click Start, point to Programs and then EPSON or EPSON Printers, then click EPSON Stylus Pro 10000/10000CF Read me.

Accessing EPSON Status Monitor 3

There are two ways to access EPSON Status Monitor 3.

- Double-click the printer-shaped shortcut icon on the Windows taskbar. To add a shortcut icon to the taskbar, see “Making monitoring preference settings” on page 3-30.
- Open the printer driver, click the Utility tab, then click EPSON Status Monitor 3.

When you access EPSON Status Monitor 3, the following window appears.



Viewing information in EPSON Status Monitor 3

EPSON Status Monitor 3 provides the following information:

❑ **Current Status:**

EPSON Status Monitor 3 provides you with detailed printer status information, a graphic display, and status messages. If the ink runs low or out, the How to button appears in the EPSON Status Monitor 3 window. Clicking How to displays cartridge replacement instructions.



❑ **Information:**

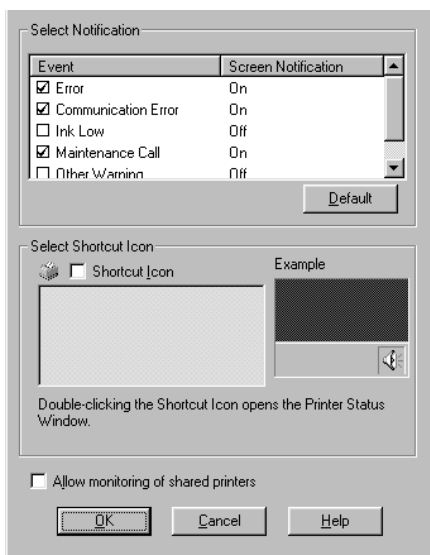
EPSON Status Monitor 3 provides a graphic display of the amount of ink remaining.

Making monitoring preference settings

The Monitoring Preference dialog box allows you to specify the monitoring feature of the EPSON Status Monitor 3. Follow the steps below.

1. Open the printer software for your printer as described in "Accessing the printer software for Windows" on page 3-2.

- Click the Utility tab, then click the Speed & Progress button. The Speed & Progress dialog box appears.
- Click the Monitoring Preferences button. The Monitoring Preferences dialog box appears.



- Make the following settings.

Select Notification	Displays the current error item notification settings. Select the appropriate check boxes to specify the error types for which you wish to receive notification.
Select Shortcut Icon	Select the Shortcut Icon check box to have a shortcut icon placed in your Windows taskbar. Clicking the shortcut icon in the taskbar will open EPSON Status Monitor 3. To select which icon will be displayed, click the icon you prefer from the choices given; your selection will be shown at the right.
Allow monitoring of shared printers	When this check box is selected, a shared printer can be monitored by other PCs.

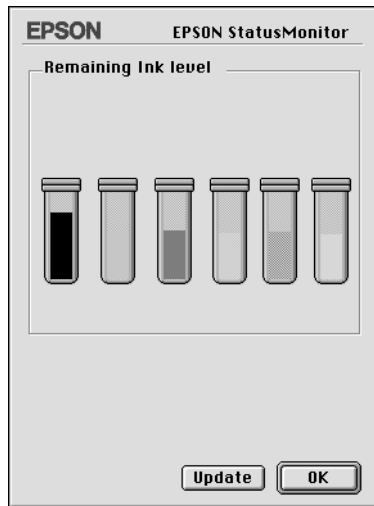
Checking Printer and Print Job Status for Macintosh

Using the EPSON StatusMonitor

The StatusMonitor utility regularly monitors the printer status. If a printer error is detected, you will be informed with an error message. You can also use this utility to check ink levels before printing.

To use the StatusMonitor, click the EPSON StatusMonitor button in the Utility dialog box. The following dialog box appears:

To access the Utility dialog box, see “Accessing the printer software for Macintosh” on page 3-2.



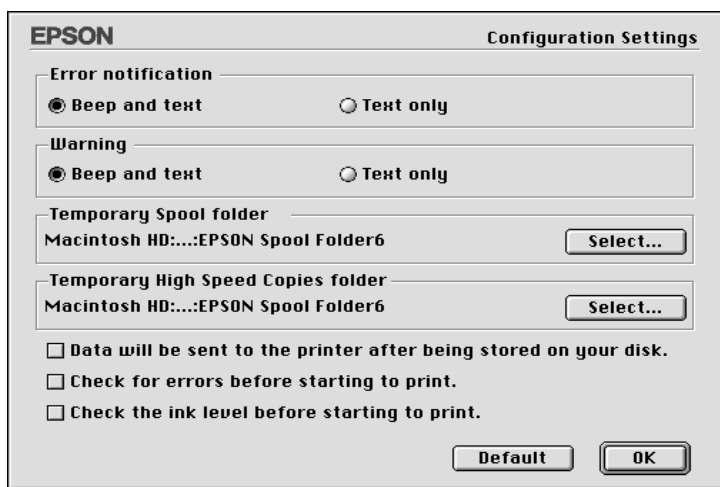
Note:

Installed ink cartridge information is not available.

The StatusMonitor informs you of the amount of ink remaining as of the time the StatusMonitor was opened. To update ink-level information, click the Update button.

Making Configuration Settings

You can select the way the StatusMonitor utility monitors your printer, and the way you will be notified of information. Click the Configuration button in the Utility dialog box. (To access the Utility dialog box, see “Accessing the printer utilities for Macintosh” on page 3-22.) The Configuration Settings dialog box appears as below.



The options in this dialog box allow you to make the following settings:

Error notification	Choose how the StatusMonitor notifies you in case of an error.
Warning	Choose how the StatusMonitor notifies you if a warning message becomes necessary.

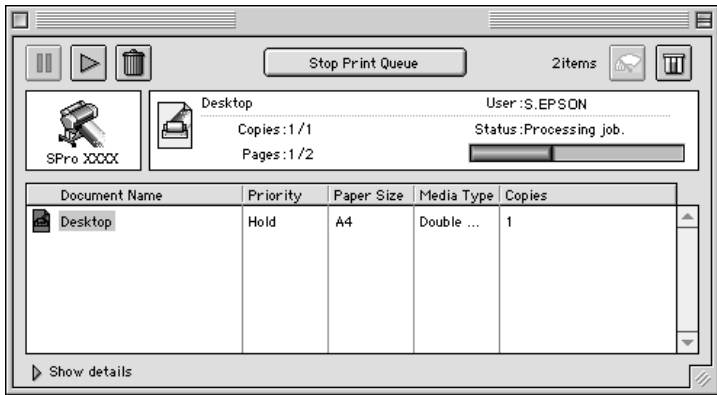
Temporary Spool folder	Choose the folder for temporary spooling of print data.
Data will be sent to the printer after being stored on your disk	Select this check box to prevent horizontal banding in your printout. By default, graphics data is sent by the computer to the printer in rectangular bands, which prevents the printer from having to reconstruct an entire image in memory before printing it. Selecting this check box will make the computer temporarily store the image data on its hard drive and then send it to the printer as a whole to prevent banding in the printed image.
Temporary High Speed Copies folder	Choose the folders for multiple-copy print data storage.
Check for errors before starting to print.	Select this check box if you want to check for errors before starting to print.
Check the ink level before starting to print.	Select this check box if you want to check the ink level before starting to print.

Controlling Background Printing

After you send a print job to the printer, you can use the EPSON Monitor3 utility to check on, control, or cancel print jobs that are queued for printing. This utility also shows the status of the job currently being printed.

Using EPSON Monitor3




To use EPSON Monitor3, you must first turn on Background Printing in the Chooser or in the Background Printing dialog box. Then, after sending a print job to the printer, select EPSON Monitor3 from the Application menu at the right end of the menu bar. This opens a dialog box the same or similar to the one below.





Note:

You can also open EPSON Monitor3 by double-clicking the EPSON Monitor3 icon in the Extensions folder.

- ❑ Use the buttons below to hold, resume, and delete print jobs for documents selected in the dialog box. First, select the appropriate print job, then click the applicable button.

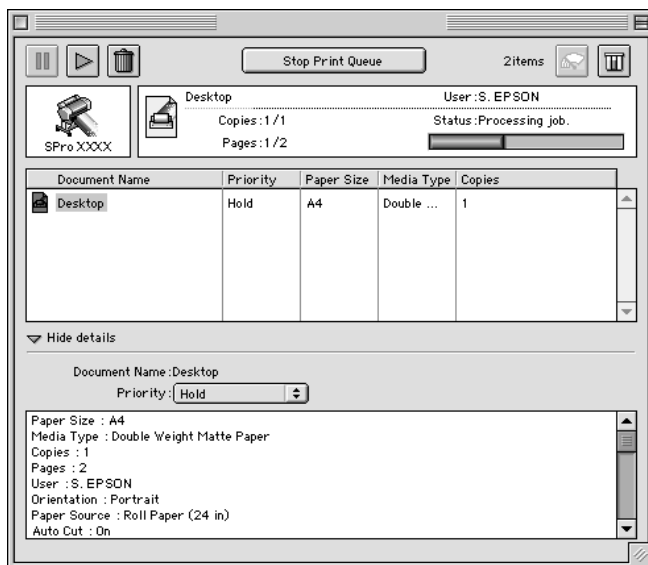
	Hold	Stops printing and holds the current print job in the print queue
	Resume	Resumes printing
	Delete	Stops printing and deletes print job from the print queue

- ❑ When you click Stop Print Queue, printing stops until you click Start Print Queue.
- ❑ Use the buttons below to start the printer utilities.

	Print Head Cleaning	Starts the Print Head Cleaning utility
	Status Monitor	Starts the EPSON StatusMonitor, which displays the amount of ink remaining

- ❑ Click Stop Print Queue to stop printing. Click Start Print Queue to resume printing.
- ❑ Double-click a file in the list to preview it. (This function is disabled when you are printing the ESC/P command file.)
- ❑ Double-click Copies to change the number of copies to print out.

If you click the Show details arrow, an extension similar to the one below appears at the bottom of the EPSON Monitor3 dialog box. The extended dialog box displays detailed information on a selected document's printer driver settings.



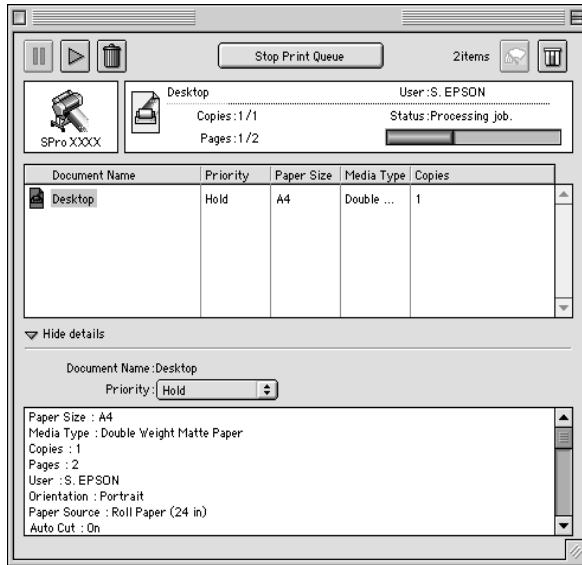
Changing print job priority

To change the priority of print jobs in a print queue, follow the steps below.

Note:

You can also change the priority of print jobs that had print times previously set in the printer driver's Background Printing dialog box.

1. Click the Show details arrow at the bottom of the EPSON Monitor3 dialog box, then click a document name in the Document Name box. You will see an extended dialog box the same or similar to the one below.



2. Select Urgent, Normal, Hold, or Print Time from the Priority list.

If you select Print Time, a dialog box will appear where you can specify the date and time that you want to print the document.

Increasing the Print Speed (Windows only)

General tips

Printing color images using higher print quality settings takes longer than printing black-and-white images in standard print quality, as the volume of data in high quality color documents is much greater. For this reason, it is important to be selective in your use of color and print quality settings if you also require a faster print speed.

Even if your document requires the highest print quality and extensive use of color, it may still be possible to optimize the print speed by adjusting other printing conditions. Keep in mind that changing some conditions to increase the print speed may also lower print quality.

The following table shows the factors that inversely affect print speed and print quality (increasing one will decrease the other).

Print quality Print speed		Lower Faster	Higher Slower	Printer driver menu
Printer driver settings	Print Quality	Normal - 360 dpi	SuperFine - 1440 dpi	Advanced dialog box
	High Speed	On	Off	
Data characteristics	Image size	Small	Large	-
	Resolution	Low	High	

The table below shows the factors related to print speed only.

Print speed		Faster	Slower	Printer driver menu
Printer driver settings	Ink	Black	Color	Advanced dialog box, Main menu
	Flip Horizontal*	Off	On	Advanced dialog box
Data characteristics	Variety of colors	Grayscale	Full color	-
Hardware resources	System speed	Fast	Slow	-
	HDD free space	Large	Small	
	Memory free space	Large	Small	
Software status	Running applications	One	Many	-
	Virtual memory	Not in use	In use	

* Varies depending on the printer driver and application you are using.

Using Speed & Progress

You can make certain print speed settings in the Speed & Progress dialog box. To access this dialog box, click Speed & Progress on your printer software's Utility menu.

High Speed Copies

Prints multiple copies of your document faster.

Show Progress Meter

Displays printing progress while printing.

EPSON Printer Port (For Windows Me, 98, and 95 only)

Speeds up the data transfer rate to EPSON printers.

Enable DMA transfer (For Windows Me, 98, and 95 only)

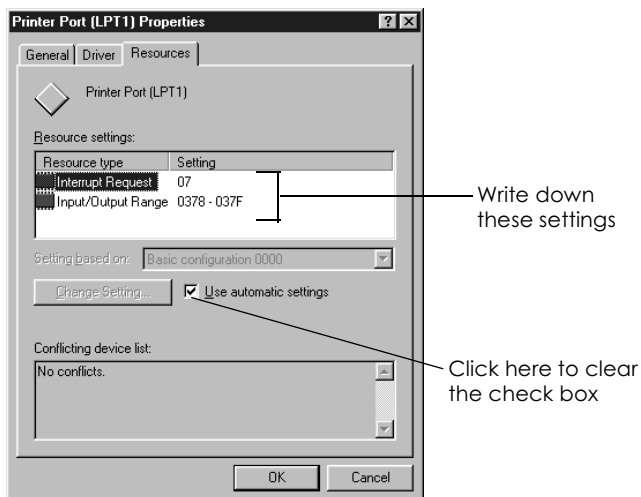
If your computer has a parallel port which supports ECP mode, you can enable DMA transfer to help speed up printing. See your computer manual to determine if you have ECP support and DMA transfer.

To determine whether you need to enable DMA transfer, compare the message below the EPSON Printer Port setting to this table, and take the recommended action.

Message	Action
High Speed (DMA) Transfer enabled.	DMA transfer is already enabled. Click OK to close the dialog box.
For higher data transfer rates, use DMA Transfer.	Follow the steps below this table to enable DMA transfer.
(No message)	Your system's parallel port setting does not allow DMA transfer. However, if you change the parallel port setting to ECP or enhance using your computer's BIOS Setup program, you may be able to use DMA transfer. Consult your computer manual or computer maker for instructions. Once you change the parallel port setting, follow the steps below this table to enable DMA transfer. Note: Before you run the BIOS Setup program, uninstall the printer driver using Add/Remove Programs in the Control Panel. After running the BIOS Setup program, reinstall the printer driver.

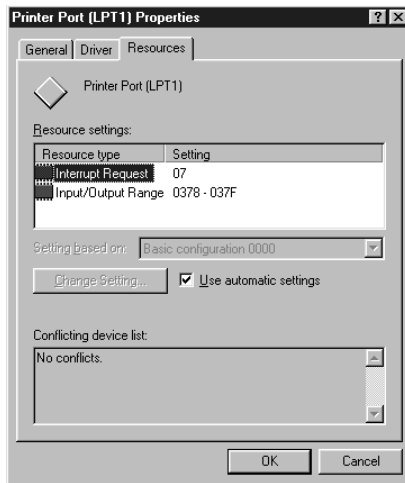
If you need to enable DMA transfer, follow these steps.

1. Double-click the My Computer icon and double-click the Control Panel.
2. Double-click the System icon and click the Device Manager tab.
3. Double-click the Ports (COM & LPT) icon and double-click LPT1. If you have connected your printer to a port other than LPT1, double-click the appropriate port icon.
4. Click the Resources tab and select the Use automatic settings check box to deselect the Automatic Setting. Write down the Input/Output Range settings shown in the Resource settings box.



5. Select a basic configuration setting from the Setting based on list that uses the same Input/Output Range settings as those you wrote down in step 4, and make sure the Direct Memory Access channel and Interrupt Request numbers are allocated and displayed. Confirm also that the Conflicting device list box shows No conflicts.

6. Click OK to save the settings.



7. Reopen the Speed & Progress dialog box to verify whether DMA transfer has been enabled.

Note:

You may not be able to use DMA transfer on some computers even after you make the settings explained above. Consult your computer manufacturer for information on the DMA transfer capability of your computer.

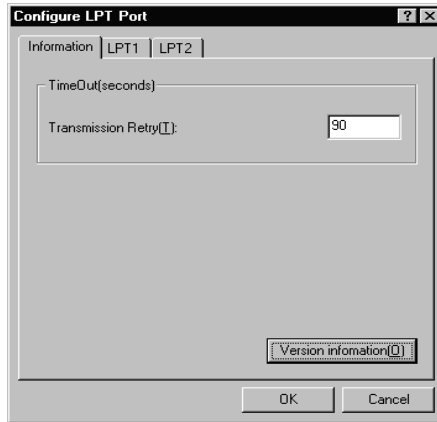
Port Configuration (Windows NT 4.0 only)

Note:

Port settings for Windows NT 4.0 are complicated and should only be made by an experienced person with administrative privilege.

If your computer has a parallel port which supports ECP mode, you can make certain print speed settings in the Port Configuration dialog box. Before making settings, make sure that the ECP mode has been selected in your computer settings. For details about ECP mode, see your computer manual.

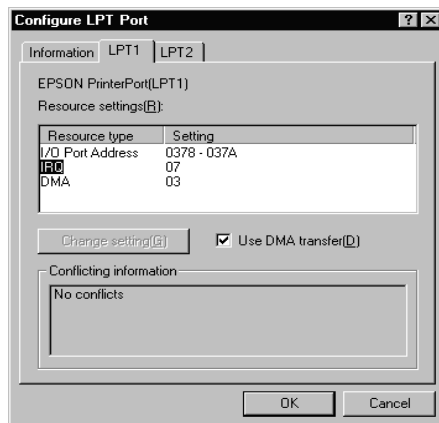
To access the Port Configuration dialog box, double-click the My Computer icon, double-click the Printer icon, right-click your printer icon, and select Properties. The printer driver window appears. Click the Port tab, then click the Configure Port button.



Click the LPT port tab for the port to which your printer is connected, then click the Port Configuration button.

Note:

If your printer is connected to LPT1, only the LPT1 tab is available.



Resources settings (IRQ and DMA)

If you have connected your printer to LPT2 or LPT3, making IRQ and DMA settings here may help you speed up printing. Input the same configuration numbers for IRQ and DMA which you have made with your expansion board. See your computer manual to determine the settings for IRQ and DMA.

Use DMA transfer

Using DMA transfer to send print data to the computer may help you speed up printing. If the Use DMA Transfer check box appears dimmed, you first need to enable DMA transfer in your computer settings. For details, see your computer manual.

Updating to Windows Me

If you have upgraded your computer's operating system from Windows 95 or 98 to Windows Me, you must uninstall your printer software and then install it again. Uninstall the printer software by double-clicking the Add/Remove Programs icon in the Windows Control Panel and selecting EPSON Printer Software from the list. Click the Add/Remove button and then OK in the dialog box that appears. Then, install the printer software again.

Updating the Driver in Windows 2000 and Windows NT 4.0

When you update the printer driver in Windows 2000 and Windows NT 4.0, please be sure to uninstall the previous printer driver before you install the new driver. Installing over the existing printer driver results in a failure to update. To uninstall the printer driver, double-click the Change/Remove Programs icon in the Windows Control Panel. The Change/Remove Programs properties dialog box appears. Select EPSON Printer Software from the list, click Change/Remove, and then OK. Then, install the printer software again.

Uninstalling the Printer Software (Windows only)

Follow the instructions below to uninstall the EPSON printer driver and utilities for Windows.

1. Double-click the My Computer icon then double-click the Control Panel.
2. Double-click Add/Remove Programs.
3. Select EPSON Printer Software to uninstall the printer driver, from the software list. Click Add/Remove. If you are uninstalling printer software, a dialog box appears and you need to select the printer icon for the driver you want to uninstall.
4. Follow the instructions on the screen to uninstall the software.

Uninstalling the USB Host Device Driver (Windows Me and 98 only)

Follow the instructions below to uninstall the USB Host Device Driver for Windows Me and 98.

Note:

This function activates only when you are using a USB conversion cable.

1. Double-click the My computer icon, then double-click the Control Panel.
2. Double-click Add/Remove Programs.
3. Select the EPSON USB Printer Devices to uninstall the USB Host Device Driver from the software list. Then click Add/Remove.
4. Follow the instructions on the screen to uninstall the software.

Notes for Special Media and Other Media

Although most types of coated paper will provide good printing results, printout quality varies depending on the paper quality and the manufacturer. Test the printout quality before purchasing large amounts of paper.



Caution:

Keep fingers off the printable surface of the media, as fingerprints may reduce printout quality. Whenever possible, use gloves to handle media.

Using EPSON special media

EPSON provides special media that can enrich the usage and expressive power of the printing results. When using EPSON special media, make sure the appropriate settings are made in the printer driver as described in “Printer Software Introduction” on page 3-1. For information on EPSON special media, see “EPSON special media” on page 9-4.

Note:

- ❑ *Use EPSON special media in a normal room environment (temperature and humidity) for best results.*
- ❑ *When loading EPSON special media, read the instruction sheets enclosed first.*

Storing EPSON special media

- ❑ Store unused media in the original plastic bag and outer package so as to avoid moisture problems.
- ❑ Avoid storing the media in places exposed to high temperature, humidity, or direct sunlight.

Using paper other than EPSON special media

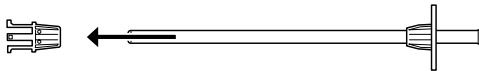
When you use paper other than EPSON special media, or print using the RIP (Raster Images Processor), see the instructions included with the paper or RIP system, or contact your supplier for more information.

Using Roll Paper

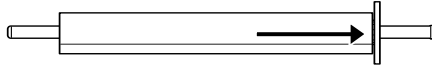
Attaching the roll paper to the spindle

When installing the roll paper onto the spindle, follow the steps below. To remove roll paper or empty roll paper cores, see “Removing the roll paper from the spindle” on page 5-3.

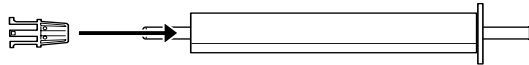
1. Slide the movable flange off the end of the spindle.



2. Place the roll paper on a flat surface so that it does not unwind. Slide the roll paper onto the spindle and onto the flange until it fixes into place.



3. Slide the movable flange (removed in step 1) onto the spindle and into the end of the roll paper until it fixes into place.



Removing the roll paper from the spindle

To remove the roll paper from the spindle, follow the steps below.

1. Place the paper loaded spindle down on a flat surface.
2. Slide the movable flange off the end of the spindle by tapping the same end of the spindle with your hand to loosen it. The flange is removed.



Caution:

To remove the movable flange from the spindle, do not hold the spindle vertically and tap the end on the floor; otherwise, damage may occur.



3. Remove the roll paper from the spindle.



4. Attach other roll paper to the spindle (see “Attaching the roll paper to the spindle” on page 5-2), or if you do not want to attach other roll paper, slide the movable flange back onto the spindle.

Note:

Store unused roll paper in its original package. Put the roll paper into the plastic bag, and outer package so as to avoid moisture problems.

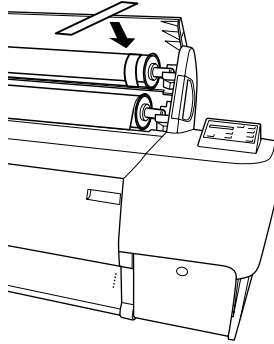
Attaching and removing the spindle from the printer

To attach the paper loaded spindle to the printer, follow the steps below. When you remove the spindle from the printer, clear the roll paper from the paper insertion slot, then reverse the steps below.

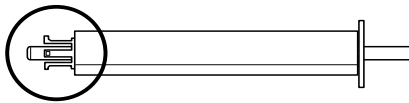
You can attach two roll paper spindles to the printer at once except if you are using the 3 inch Roll Media Spindle (C811031) in which case you can only attach one. This optional spindle is necessary if you wish to use the 3 inch diameter roll paper.

Note:

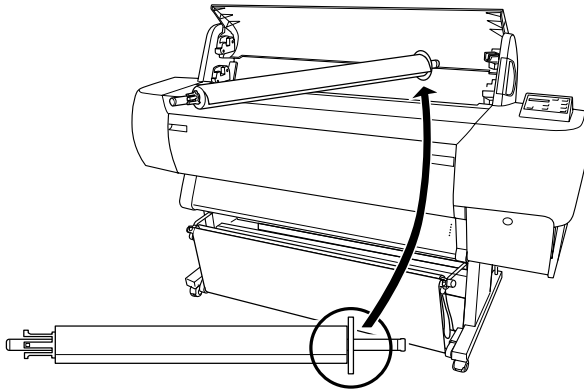
If two roll paper spindles are attached to the printer, keep the unused roll wound up using the roll paper belt, to avoid paper jams. See "Using the roll paper belt" on page 5-12.



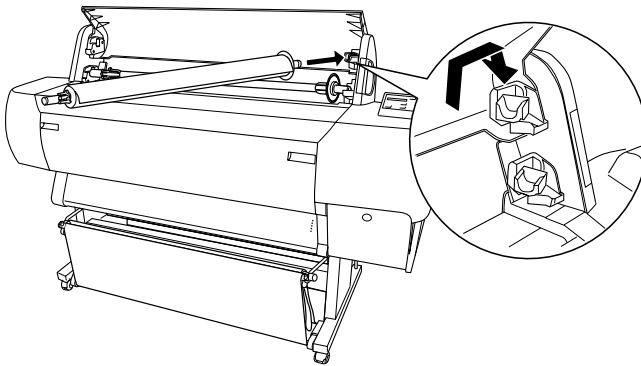
1. Open the roll paper cover.
2. Make sure that the movable flange is fixed into the end of the roll paper properly.



3. Hold the roll paper spindle so that the fixed flange is positioned to the right side.



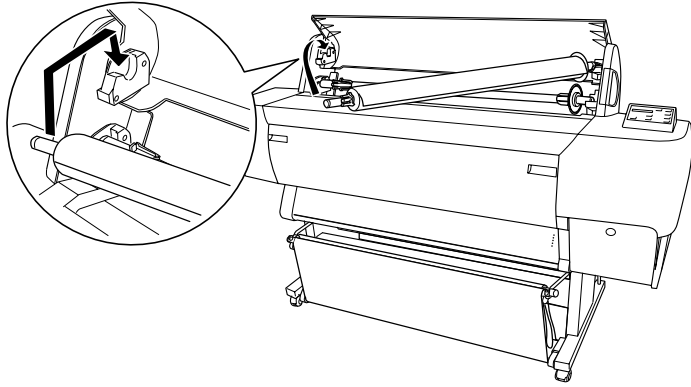
4. Place the right end of the spindle into the right mounting bracket inside the printer.



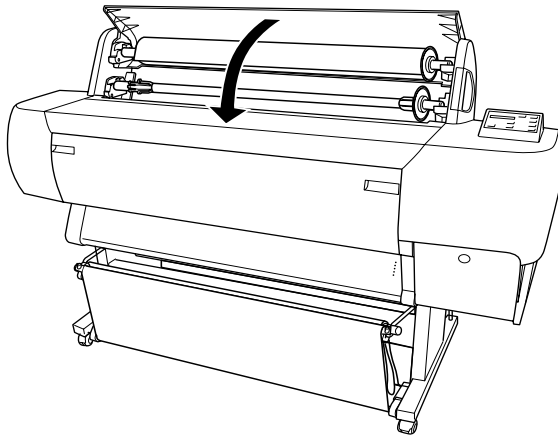
Note:

To mount the spindle correctly, match the color of the end of the spindle with the mounting bracket.

5. Place the left end of the spindle into the left mounting bracket inside the printer.



6. Close the roll paper cover or see “Loading the roll paper” following to load paper.



Loading the roll paper

To load roll paper, follow the steps below.

Note:

You may want to setup the paper basket before printing. See "Setting the Paper Basket" on page 5-21. (In the illustrations below the paper basket is set to feed paper backwards.)

1. Open the roll paper cover. Make sure that the roll paper is attached to the printer properly.

Note:

If two roll paper spindles are attached to the printer, keep the unused roll wound up using the roll paper belt to avoid paper jams. See "Using the roll paper belt" on page 5-12.

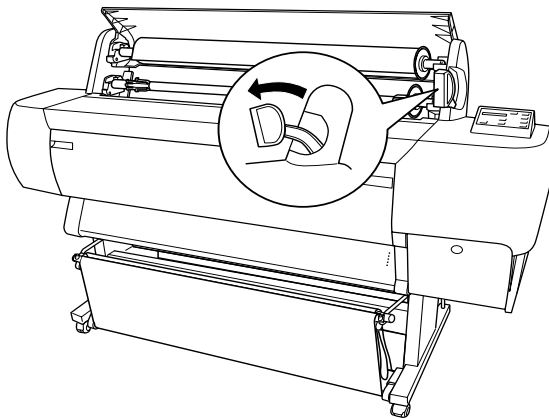
2. Make sure that the printer is on.
3. Press the Paper Source button repeatedly until the Roll Auto Cut light or Roll Cutter Off light is on.



Caution:

If you are loading thick roll paper, select Roll Cutter Off. Paper that is too thick may damage the paper cutter.

4. Make sure the Operate light or Pause light is not flashing, then set the paper set lever to the released position. The Paper Out light turns on and LOAD PAPER appears on the LCD panel.

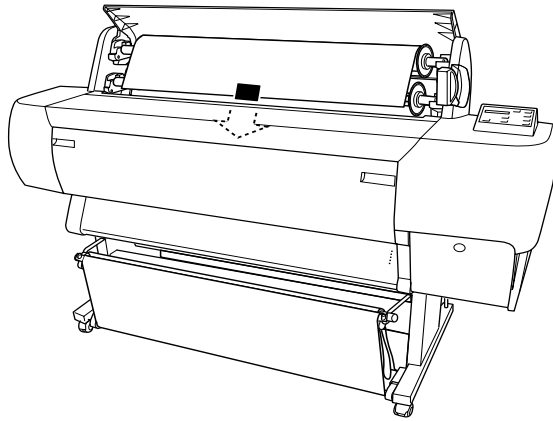




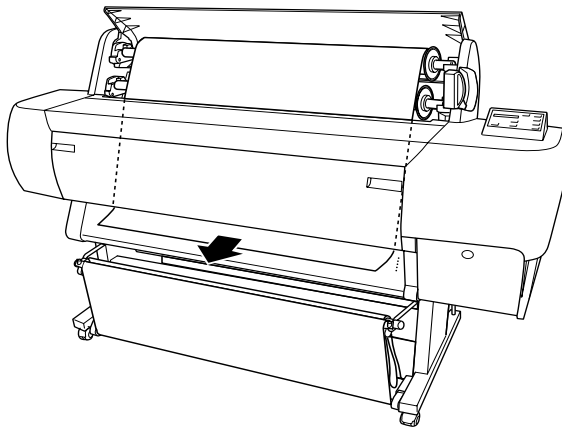
Caution:

Do not set the paper set lever to the released position while the Operate light or Pause light is flashing. Doing so may damage the printer.

5. Load the paper into the paper insertion slot.



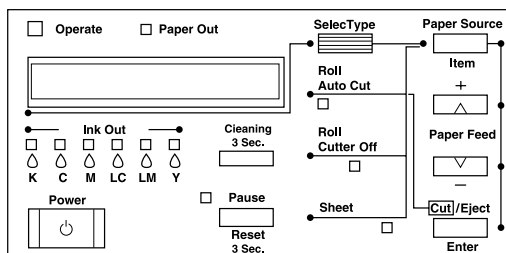
6. Pull the paper down through the paper insertion slot so that it comes out below.



Note:

If the roll paper does not come out, follow the instructions below.

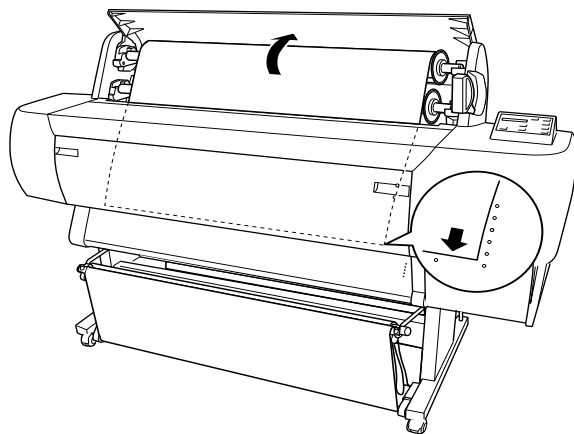
- ❑ Adjust the feed strength by pressing the Paper Feed buttons on the control panel. When using thick, heavy, or curled paper, press the Paper Feed (+) button to increase the power. When using thin or light paper, press the Paper Feed (-) button to decrease the power.



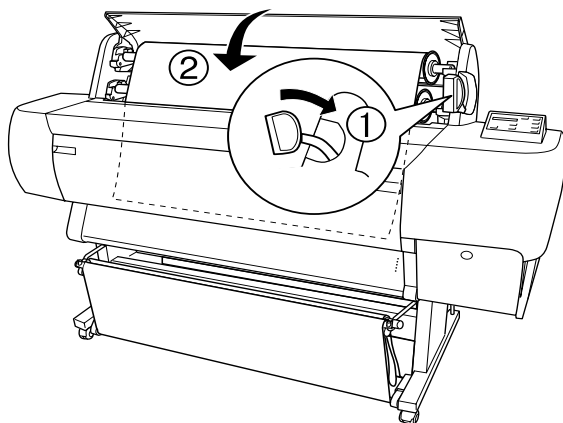
- ❑ If the paper does not come out even after executing the procedure above, open the front cover and pull the paper out manually.
7. Holding the bottom edge of the paper, turn the roll paper to remove slack. Make sure that the bottom edge of the paper is straight, and that it is aligned with the row of holes.

Note:

You do not have to align the right end of the paper with the right row of punch holes.



8. Set the paper set lever to the secured position, then close the roll paper cover. `PRESS PAUSE BUTTON` appears.



Note:

If the Roll Auto Cut light is on, and the bottom edge of the roll paper was not cut properly after the previous print job, press the Cut/Eject button to recut the edge.

9. Press the PAUSE button.

The print heads move and the paper feeds into the printing position automatically. READY appears on the LCD panel.

Note:

Even if you do not press the PAUSE button, the print heads move and paper feeds into the printing position automatically. READY appears on the LCD panel.

10. Make the printer driver settings (see “Accessing the Printer Software” on page 3-1), then send a print job from the computer. The printer starts printing.

Note:

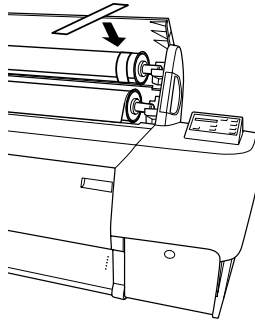
Make sure that the Paper Source setting in the printer driver matches the paper loaded in the printer.

11. After you finish printing, you may need to cut the roll paper. See “Cutting roll paper or printing page lines” on page 5-13.

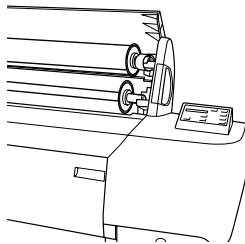
Using the roll paper belt

To keep the roll paper wound up, use the roll paper belt packed with your printer. When you attach two roll paper spindles, paper jams can be avoided.

Tap the end of the roll paper belt lightly on the roll paper. The belt will wrap itself around the roll paper.



To remove the roll paper belt, simply unwrap it from around the paper. While you do not use the roll paper belt, keep it wound around the end of the spindle.



Cutting roll paper or printing page lines

When your print job is finished, the printer cuts the roll paper automatically or prints page lines around the document according to your settings. You can make these settings using the control panel or printer software.

Note:

Software usually overrides control panel settings. Use your software to make settings whenever possible.

Using the Auto Cut setting

When you want the roll paper to be cut automatically after your print job, use the Auto Cut setting. To make the Auto Cut setting using the Paper Source button on the control panel, see “Buttons” on page 1-1. To use the printer software, see “Using the Roll Paper Settings” on page 3-16.

Note:

When the printer cuts the paper, first the left part of the paper is cut, then the right, and finally the center. Never turn off the printer before the paper is cut completely.

Cutting the roll paper manually

To cut the roll paper when the Auto Cut setting is off, follow the steps below.

Cutting after the document is printed

1. Make sure the document is printed, then press the Paper Source button repeatedly until the Roll Auto Cut light is on.
2. Press the Cut/Eject button. The roll paper is cut.

Cutting the roll paper at other times

1. Press the Paper Feed button to position the paper in place for cutting.
2. Press the Paper Source button repeatedly until the Roll Auto Cut light is on.
3. Press the Cut/Eject button. The roll paper is cut.

Printing page lines

If you want to print continuously on roll paper first, then cut the page yourself after you finish printing, use the Print Page Line setting. To make the Print Page Line setting using the control panel, see “SelectType Settings” on page 1-6. To use the printer software, see “Print Page Line” on page 3-17.

Using Cut Sheet Media

Loading cut sheet media

To load cut sheet media longer than 279 mm (long edge of Letter size), see the next section. To load paper with a length of A3, Super A3/B, and B, see “Loading cut sheet with a length of A4/Letter, A3/US B, and Super A3/B” on page 5-18.

If you are printing on thick paper (0.5 to 1.6 mm), see “Printing on thick paper (0.5 to 1.6 mm)” on page 5-19.

Loading cut sheet media longer than 279 mm (long edge of Letter size)

To load cut sheet media longer than 279 mm, follow the steps below.

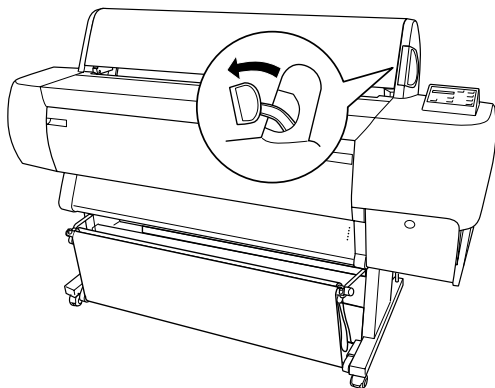


Caution:

As much as possible, keep your fingers off the printable surface of the media, as fingerprints may reduce printout quality.

1. Make sure that the printer is on and the roll paper cover is closed.
2. Press the Paper Source button repeatedly until the Sheet light is on.

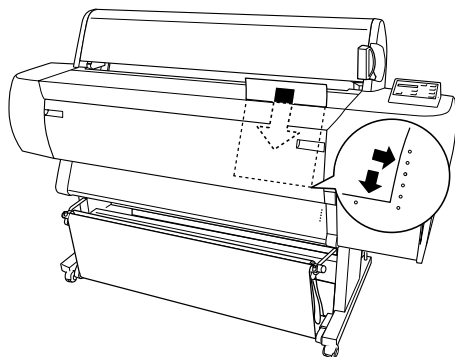
3. Make sure the Operate light or Pause light is not flashing, then set the paper set lever released position. The Paper Out light turns on and LOAD PAPER appears on the LCD panel.



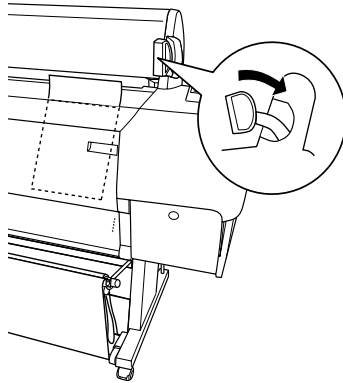
Caution:

Do not set the paper set lever to the released position while the Operate light or Pause light is flashing. Otherwise, damage may occur.

4. Load the sheet into the paper insertion slot until it comes out below. Make sure that the right and bottom edges of the sheet are straight and in line with the row of punch holes.



5. Set the paper set lever to the secured position. **PRESS PAUSE BUTTON** appears on the LCD panel.



6. Press the **Pause** button.

The print heads move and the sheet feeds into the printing position automatically. **READY** appears on the LCD panel.

Note:

*Even if you do not press the **Pause** button, the print heads move and paper feeds into the printing position automatically. **READY** appears on the LCD panel.*

7. Make the printer driver settings (see “Accessing the Printer Software” on page 3-1), then send a print job from the computer. The printer starts printing.

Note:

Allow time for the ink to dry thoroughly after printing to ensure the printout quality.

Loading cut sheet with a length of A4/Letter, A3/US B, and Super A3/B

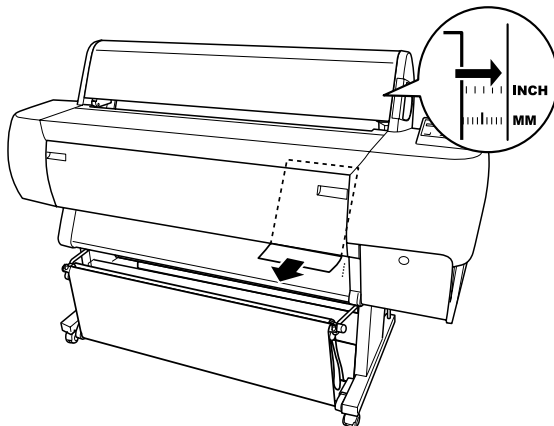
To load cut sheet media with a length of A4/Letter, A3/US B, and Super A3/B, follow the steps below.



Caution:

As much as possible, keep your fingers off the printable surface of the media, as fingerprints may reduce printout quality.

1. Make sure that the printer is on and the roll paper cover is closed.
2. Press the Paper Source button repeatedly until the Sheet light comes on.
3. Make sure that the paper set lever is in the secured position. Then load the sheet into the paper insertion slot until it meets resistance. Make sure that the right edge of the paper is straight and in line with the right edge of the scale on the roll paper cover. **PRESS PAUSE BUTTON** appears on the LCD panel.



4. Press the **Pause** button.
The print heads move and the sheet automatically feeds into the printing position. **READY** appears on the LCD panel.

5. Make the printer driver settings (see “Accessing the Printer Software” on page 3-1), then send a print job from the computer. The printer starts printing.

When printing is complete, the printer supports the printed media, and PAPER OUT is displayed on the LCD panel. To remove the paper, hold it while pressing the Paper Feed button. The paper can be removed from the printer.

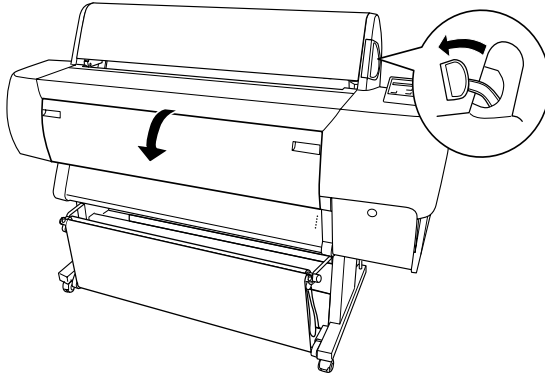
Printing on thick paper (0.5 to 1.6 mm)

When you load thick cut sheets, such as cardboard, follow the steps below.

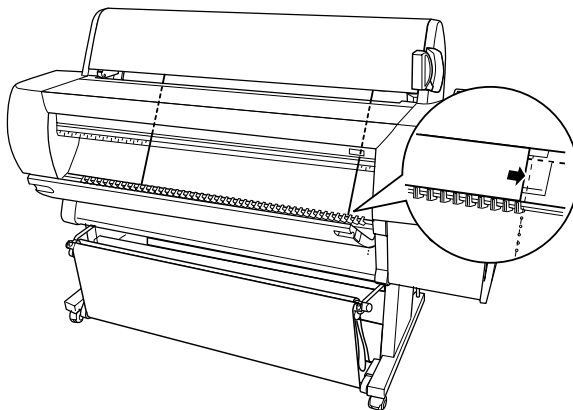
Note:

- Do not load thick paper larger in size than B1 (728 × 1030 mm); otherwise, paper jams may occur.*
 - Always load B1 (728 × 1030 mm) sized thick paper long edge first. You may want to select the Landscape setting in your printer driver.*
1. Set the paper basket forward as described in “When feeding paper forward (Roll Paper Banner; thick [0.5 mm and more] cut sheet)” on page 5-24.
 2. Make sure that the printer is on.
 3. Press the Paper Source button repeatedly until the Sheet light is on.

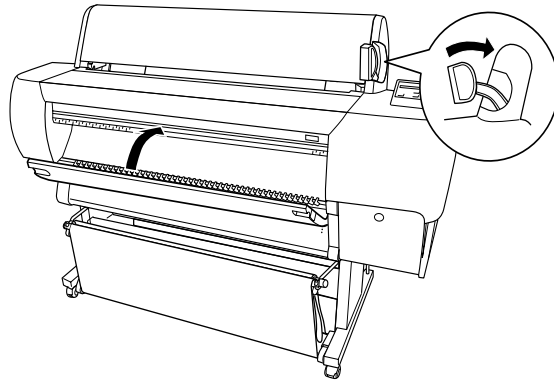
4. Make sure that the Operate light or Pause light is not flashing, then set the paper set lever to the released position. The Paper Out light turns on and **LOAD PAPER** appears on the LCD panel. Open the lower cover.



5. Load the sheet into the paper insertion slot so that the bottom edge of the paper rests behind the open lower cover. Make sure that the right edge is straight and in line with the vertical row of punch holes.



6. Set the paper set lever to the secured position, then close the lower cover. **PRESS PAUSE BUTTON** appears on the LCD panel.



7. Press the Pause button. Then follow the same procedure as for other cut sheets.

Setting the Paper Basket

To avoid your printouts getting dirty or crinkled, set the paper basket as shown below. You can use the paper basket for both roll paper and cut sheet media.

Note:

When you print on thick paper, set the paper basket forward to avoid your printouts becoming damaged. See "When feeding paper forward" following.

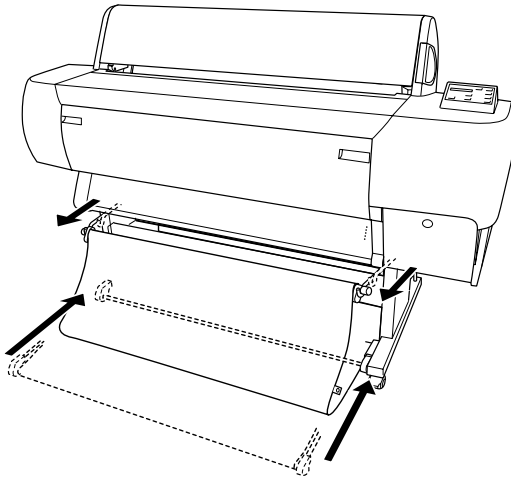
When feeding paper backward (up to B1 size; landscape)



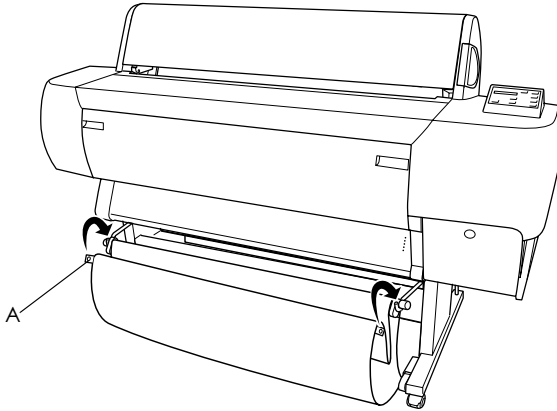
Caution:

Always load B1 (728 × 1030 mm) size thick paper (0.5 to 1.6 mm) long edge first and feed the paper forward. Otherwise, damage to your printouts may occur.

1. Slide the lower hooks back and pull the upper hooks out to their full length.



2. Hook the basket rings (A) on the upper basket hooks to take up the slack of the paper basket.



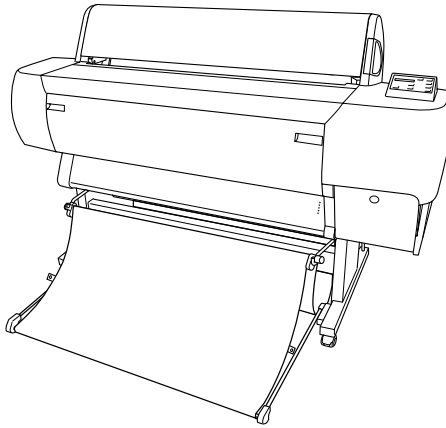
When feeding paper backward (up to super B0 size)

Note:

When feeding roll paper larger than B0 size backward, make sure that your printer has at least 20 cm (7.87 inches) of space to its rear. This prevents the printed paper edges from folding.

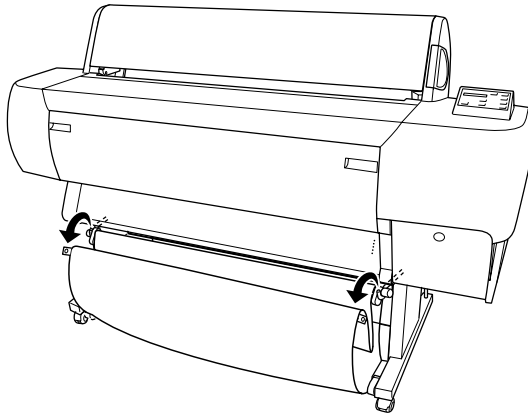
1. Make the paper basket setting as shown in “When feeding paper backward (up to B1 size; landscape)” on page 5-22.
2. Unhook the basket rings from the upper hooks, and slacken the paper basket.

3. Pull the lower basket hooks out to their full length.

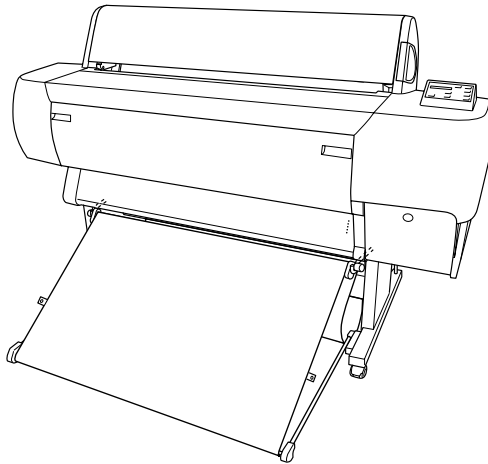


**When feeding paper forward (Roll Paper Banner;
thick [0.5 mm and more] cut sheet)**

1. Unhook the basket rings from the upper basket hooks.



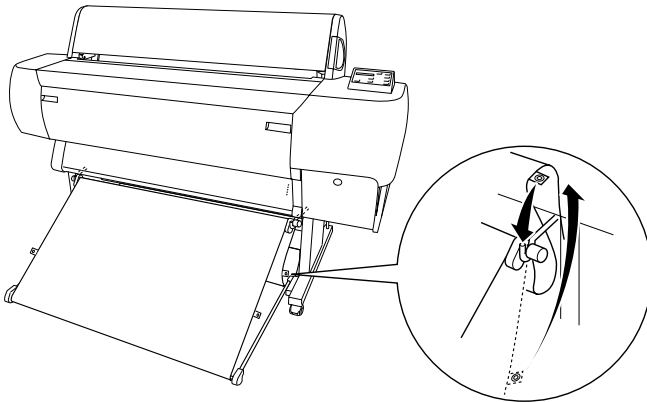
- Slide the upper hooks back to their full length. Then fully pull out the lower paper basket hooks as shown, so that they rest on the floor.



Note:

Make sure that the paper basket surface is at full tension. If not, the fed paper will not slide down to the floor.

- Hook the rear side basket rings of the paper basket on the upper basket hooks, and tighten the paper basket.



Replacing Ink Cartridges

The printer's indicator lights tell you when to obtain a replacement ink cartridge by flashing when ink is low, and when to replace an empty ink cartridge by remaining on when ink is depleted. The LCD panel also displays **INK LOW** or **INK OUT**.

Note:

- ❑ *Even if only one ink cartridge is empty, the printer cannot continue to print.*

EPSON recommends the use of genuine EPSON ink cartridges. Other products not manufactured by EPSON may cause damage to your printer not covered by EPSON's warranties. See "Ink cartridges" on page 8-10.

To replace an ink cartridge, follow the steps below.

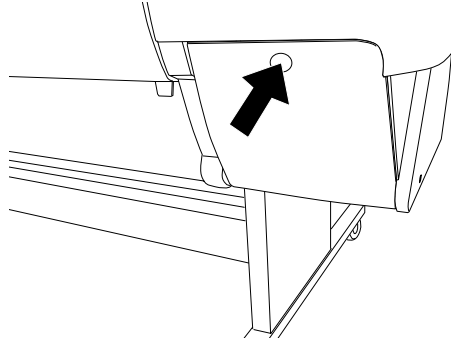


Caution:

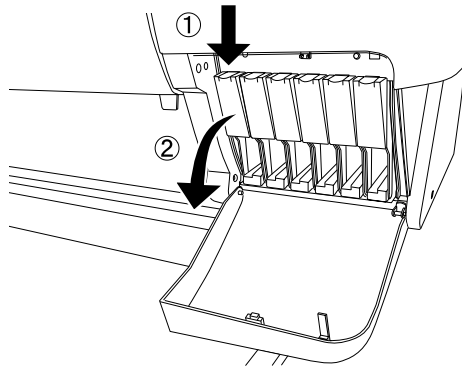
Leave the old cartridge installed in the printer until you are ready to replace it with a new one.

1. Make sure the printer is on. Determine which cartridge needs to be replaced as indicated by the Ink Out light that is flashing or on.

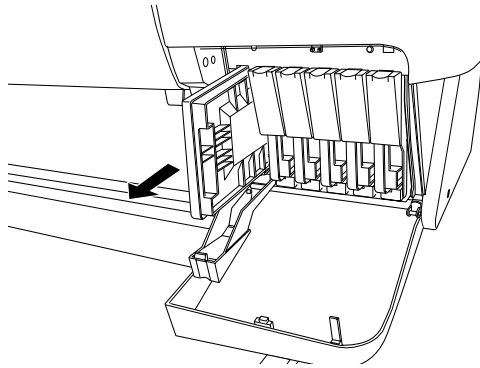
2. Push the button on the ink compartment cover to release the lock of the cover and open it. INK COMPART. OPEN appears on the LCD panel.



3. Push the top of the clamp, and pull it forward.



- Carefully pull the empty cartridge straight out of the printer.



Warning:

If ink gets on your hands, wash them thoroughly with soap and water. If ink gets into your eyes, flush them immediately with water.

- Make sure the replacement ink cartridge is the correct color, and remove it from the package.

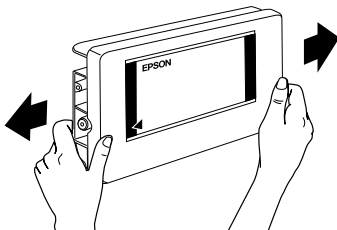


Warning

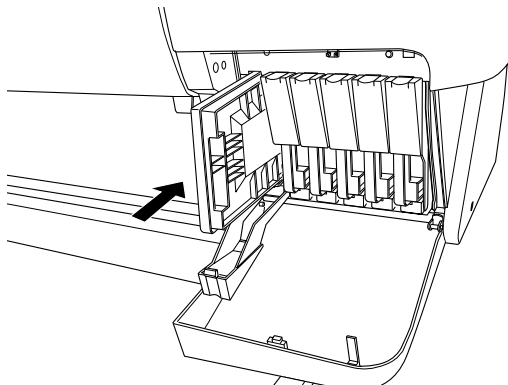
Do not shake cartridges that have been installed previously. Doing so may cause ink to leak out.

Note:

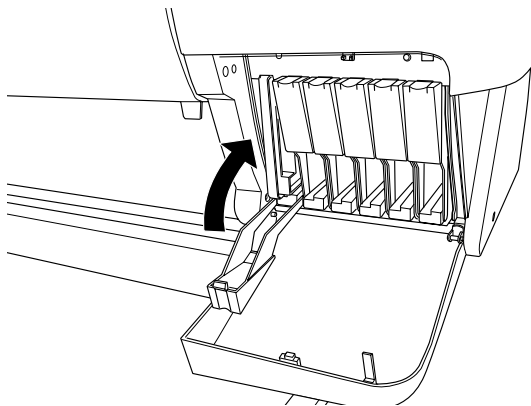
- ❑ *If you are using ColorFast type ink cartridges, shake the ink cartridge gently before installing it for best results.*



- ❑ *There is a protection system against improper cartridge insertion. If you cannot insert the ink cartridge smoothly, the type of cartridge may be incorrect. Check the package and production code.*
6. Hold the ink cartridge with the arrow on the left side and pointing to the rear of the printer, and insert it into the slot. Do not force the cartridge in further by hand.



7. Push the cartridge clamp backwards. Make sure the corresponding Ink Out light goes off.



Note:

If the Ink Out light remains on, the ink cartridge may not be installed correctly. Remove the ink cartridge and then reinsert it as described above.

8. Close the ink compartment cover by pushing the cover up until you hear it click. The printer returns to the previous status.

Replacing the Paper Cutter

When the paper cutter does not cut cleanly, it may be blunt and require replacement. To replace the paper cutter, you need to move the paper cutter holder using the control panel settings.

Paper Cutter Blade

C815131



Warning:

Be careful not to cut yourself while replacing the paper cutter.

To replace the paper cutter, follow the steps below.

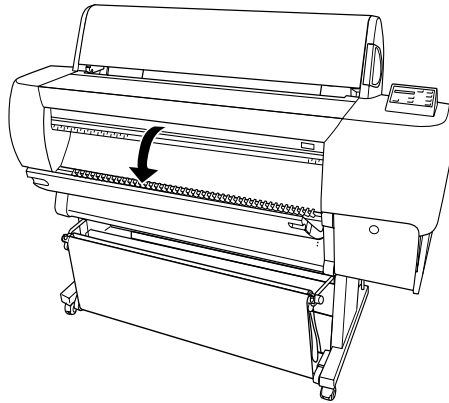
1. Make sure that the printer is on.
2. Press the **SelecType** button repeatedly until **CUTTER REPLACE MENU** appears on the LCD panel.
3. Press the **Item** button. **CUT. REPLACE = EXEC.** appears. Then press the **Enter** button. **WAIT** appears and the paper cutter holder moves to the replacement position.



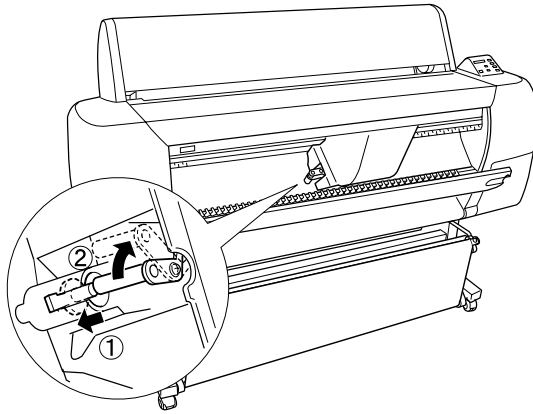
Caution:

Never move the paper cutter holder by hand. Otherwise, damage to your printer may occur.

4. When the paper cutter holder stops at the replacement position, **OPEN LOWER COVER** appears. Open the lower cover.



- When **REPLACE CUTTER** appears on the LCD panel, push in the side pin while turning the paper cutter cover to the right to open the casing.

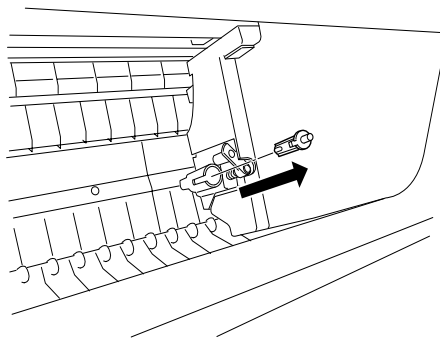


- Slowly take your finger off the side pin. The paper cutter raises so it can be removed.

Note:

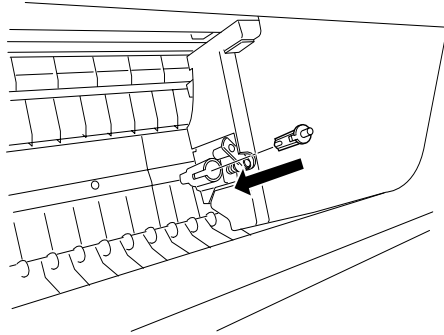
Be careful not to let the cutter or the spring coil pop out of the casing.

- Carefully remove the old cutter from the printer.

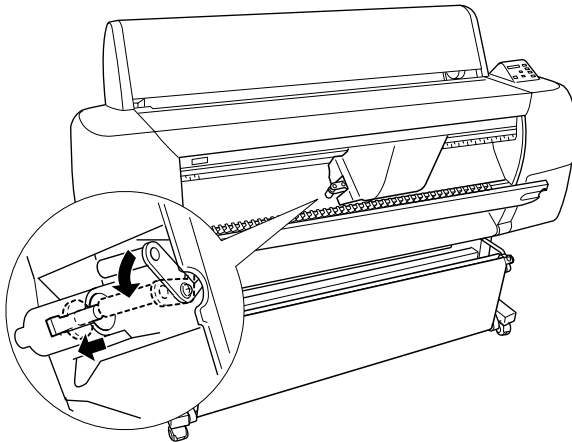


- Remove the new paper cutter from its package.

9. Make sure the spring coil is inside the cutter holder and if necessary, reinstall the coil.
10. Fully insert the new cutter into the paper cutter holder in the direction as shown below.



11. Push in the side pin while turning the paper cutter cover to the left to close the casing.



12. Make sure that **CLOSE LOWER COVER** is displayed, then close the lower cover. The cutter holder moves to the home (far right) position.

13. Wait until **READY** appears on the LCD panel. Paper cutter replacement is complete.

Cleaning the Printer

To keep your printer operation at its best, you should clean it thoroughly several times a year.

1. Make sure the printer is turned off and all the lights are off. Then unplug the power cord.
2. Open the roll paper cover and remove the roll paper spindles. Also remove any sheet media from the printer.
3. Make sure that the ink cartridge compartment is closed. Then use a soft brush to carefully clean away any dust or dirt inside the printer unit.
4. Close the roll paper cover.
5. Open the lower cover and use a soft brush to carefully clean away any dust or dirt inside the lower cover. Then close the cover.
6. Remove the paper basket. Then clean away any dust or dirt around the leg assembly using a soft brush.
7. If the outer case is dirty, clean it with a soft, clean cloth dampened with mild detergent. Keep the ink cartridge compartment closed to prevent water from getting inside.
8. If the inside of the printer accidentally gets soiled with ink, wipe it off with a damp cloth.
9. To wash the paper basket, remove the shafts from the basket, then wash with mild detergent.



Warning:

Be careful not to touch the gears inside the printer.



Caution:

- Never use alcohol or thinners to clean the printer; these chemicals can damage the components as well as the case.*
- Be careful not to get water on the printer mechanism or electronic components.*
- Do not use a hard or abrasive brush.*
- Do not spray the inside of the printer with lubricants; unsuitable oils can damage the mechanism. Contact your dealer or a qualified service person if lubrication is needed.*

If you have not used your printer for a long time

If you have not used your printer for a long time, the print head nozzles may be clogged. Perform a nozzle check and clean the print heads. See your *Startup Guide*.

Note:

Even if you will not be using your printer for a long time, leave the ink cartridges installed.

Transporting the Printer

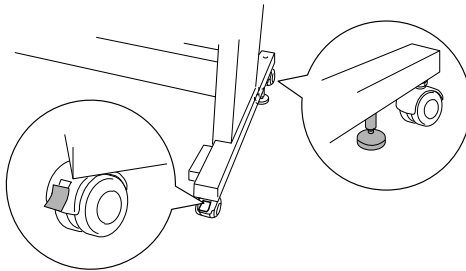
A long distance

When you need to transport your printer a long distance, the printer should be repacked using the original box and packing materials. Contact your dealer for assistance.

A short distance

When you need to move the printer a short distance, follow the steps below:

1. First turn off the printer and make sure the print heads are in the home (far right) position. If not, turn the printer back on, wait until the print heads move to the home position, then turn off the printer.
2. Remove the following parts:
 - Power cord
 - Interface cable
 - Paper basket
 - Roll paper spindles
 - Roll and cut sheet media
 - Optional Auto Take-Up Reel Unit (if installed)
 - Optional Manual Cutter Unit (if installed)
3. Make sure that the ink cartridge clamps and the cover are closed.
4. Make sure that the casters at the base unit are locked, and that the stabilizer knobs of the base unit are extended to the floor.

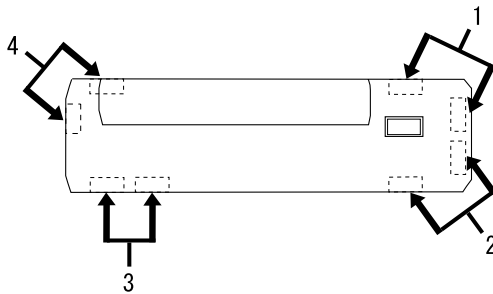
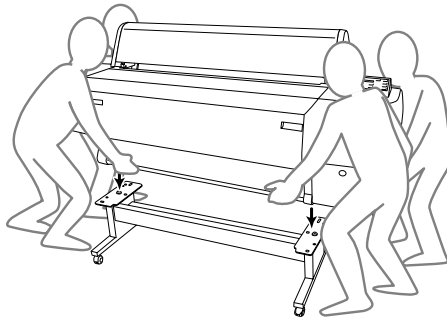


- Remove the left and right side wing nuts. Keep them in a safe place.
- Have four or more people lift the printer unit off of the base unit, using the eight hand grips shown below. The printer unit weighs approximately 115 kg (253.5 lb) and should be lifted carefully.



Caution:

Do not attempt to lift the printer unit with fewer than four people.



- Move the printer horizontally.

When you set up the printer after transporting, see “Setting up the printer after transporting it” on page 6-14. Before you use the printer after transporting, you may need to perform a nozzle check and realign the print heads. See your *Startup Guide*.

To move the printer using casters

When you want to transport the printer a very short distance such as within the same room, you can slide the printer on its casters.



Caution:

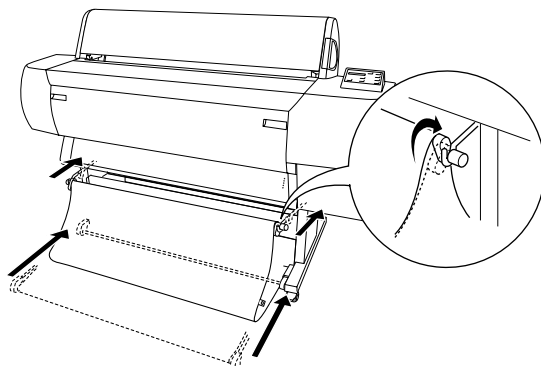
Do not slide the printer on angled or uneven surfaces.

1. Make sure that the power cord, interface cable, roll paper spindles and sheet media are removed, and the roll paper cover and lower cover are closed.

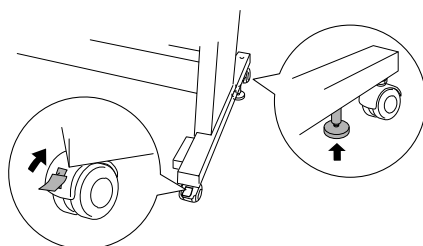
Note:

If you only need to transport your printer a very short distance using the casters, you do not need to remove the ink cartridges.

2. Fully insert the upper and lower hooks, then roll up the paper basket as shown below.



3. Release the front casters and retract the stabilizer knobs.



4. Move the printer to the place of use carefully. Relock the casters and extend the stabilizer knobs after moving.

Setting up the printer after transporting it

The steps you need to take to set up the printer after transporting it are almost identical to the steps carried out the first time you set up the printer. When you set up the printer again, see the *Assembly and Setup Instructions*, and note the following points:

- ❑ Do not forget to remove any protective material (such as tape from the ink cartridge clamps).
- ❑ The first time you start printing after transporting the printer, the print head nozzles may be clogged. EPSON recommends you perform a nozzle check and clean the print heads, and also realign the print heads to ensure print quality. See your *Startup Guide*.

Printer Stops Printing Unexpectedly

Head cleaning, ink charging, or ink drying is in progress

Check to see if the Pause light is flashing. If so, the printer is in the process of head cleaning, ink charging or ink drying. During head cleaning and ink charging, **WAIT** is displayed on the LCD panel. During ink drying, **INK DRY nn MIN** is displayed (nn is the number of remaining minutes). Wait until the printer resumes printing.

An error has occurred




Many common printer problems can be identified by the LCD messages and lights on your printer's control panel.


If your printer stops working, use the table below to diagnose the problem, then follow the recommended corrective measures. For other messages not included in the table, see "Status messages" on page 1-4.

■ = On, □ = Flashing, □ = Off

Message and Light	Problem	Solution
-------------------	---------	----------

PAPER OUT ■ Paper Out	No paper is loaded in the printer.	Load paper in the printer.
	Paper ran out.	Remove any printouts or paper remaining in the printer. Load more paper. If this message appears during a print job, reset the printer by pressing the Pause button for 3 seconds, then load paper and send the job again.
LOAD ROLL PAPER LOAD SHEET PAPER ■ Paper Out	The paper source setting in the printer driver is different from the control panel.	Make sure the paper source setting in the printer driver is the same as the control panel.
PAPER JAM ☐ Paper Out	Paper is jammed in the printer.	Remove the jammed paper. See also "Paper Feed or Paper Jam Problems Occur Frequently" on page 7-16.
COVER OPEN	Lower cover is open.	Close the lower cover.
PAPER NOT CUT ☐ Paper Out	Roll paper was not cut.	Cut the paper manually, then remove the cut paper from the printer. When RELOAD PAPER is displayed, load paper.
	Cut paper did not fall off.	Remove the cut paper from the printer. When RELOAD PAPER is displayed, load paper.
PAPER NOT STRAIGHT ☐ Paper Out	Slippage occurred and paper was fed at an angle.	Reload paper. See "Paper Feed or Paper Jam Problems Occur Frequently" on page 7-16.

RELOAD PAPER  Paper Out	Paper could not be reversed into the printing position.	Remove then reload the paper so that the right and bottom edges are straight and in line with the rows of punch holes on the printer. See "Paper Handling".
	Paper is set out of the printable area.	
	Paper is set out of the horizontal cutting area.	
	Paper is not fully ejected.	Cut the paper at the paper insertion slot, then reload paper.
	PAPER NOT CUT error was cleared.	Reload paper.
	Optional Auto Take-up Reel Unit is not operating correctly.	Check whether the unit is operating correctly. See "Troubleshooting on the Optional Auto Take-up Reel Unit" on page 7-21.
PUSH LEVER DOWN  Paper Out	Paper set lever was released during the printing process or another operation.	Set the paper set lever to the secured position. Start printing again from the beginning for best results.
REMOVE PAPER  Paper Out	Loaded paper is too thick for head cleaning.	Push the paper set lever down to remove the paper. Head cleaning automatically starts. After cleaning, PAPER OUT is displayed. Reload paper.

UNABLE TO PRINT	If an error occurs, or the ink compartment cover is open, you try to print a test pattern (nozzle check, status check, head alignment, or paper thickness pattern) from the SelecType settings.	After 3 seconds the message disappears. Press the Pause button to exit the SelecType mode. When an error or status message appears again, clear and perform printing a test pattern again.
INK OUT ■ Y/LM/M/LC/C/K	Ink cartridge(s) is (are) empty.	Replace the ink cartridge(s) as indicated by the lights. See "Replacing Ink Cartridges" on page 6-1.
NO INK CARTRIDGE ■ Y/LM/M/LC/C/K	Ink cartridge(s) is (are) not installed.	Install ink cartridge(s) as indicated by the lights. See "Replacing Ink Cartridges" on page 6-1.
WRONG CARTRIDGE ■ Y/LM/M/LC/C/K	Wrong ink cartridge(s) is (are) installed.	Use the correct ink cartridge(s).
OPTION I/F ERROR	Wrong I/F card is installed.	Install the correct I/F card after turning off the power.
SERVICE REQ.nnnnnnnn All lights 	A fatal error has occurred.	Note the error number "nnnnnnnn" and contact your dealer. See "Contacting Customer Support" on page 10-1.

The Printer does not Turn on or Stay on

When the Operate light does not come on and mechanism initialization does not start (even when the Power button is pressed to turn on the printer), try the solutions listed for the problem.

- Turn off the power and make sure the power cord is securely plugged into the printer.
- Make sure your outlet works and is not controlled by a wall switch or timer.
- Make sure the supplied voltage to the printer matches the rating voltage labeled on the printer. If not, turn off the power and unplug the power cord immediately. Contact EPSON for assistance. See “Contacting Customer Support” on page 10-1.



Caution:

If the supplied voltage and rating voltage do not match, do not plug the printer back in again, as damage may occur.

The Printer Prints Nothing

The printer is not correctly connected to the computer

Try one or more of these solutions:

- Turn off the printer and computer. Make sure the printer's interface cable is securely plugged into the correct terminal of the computer.
- Make sure the interface cable specifications match the specifications for the printer and computer.

- ❑ Make sure the interface cable is directly connected to the computer without passing through any device, such as a printer switching device, or extension cable.
- ❑ For Windows NT 4.0 users, try uninstalling the EPSON Printer Port. Click Start, point to Programs and EPSON Printers, then click EPSON Printer Port Uninstall. Follow the messages on the screen.

Your EPSON printer is not selected as the default printer

Install the printer driver if it is not installed already, and follow the steps below to select your EPSON printer as the default printer.

For Windows:

1. Click Start, point to Settings and select Printers.
2. Right-click EPSON Stylus Pro 10000/10000CF in the Printers window.
3. Select Set As Default, then close the Printers window.

For Macintosh:

1. Click Apple menu and select Chooser. If the EPSON Stylus Pro 10000/10000CF printer icon can be seen, the printer driver is correctly installed.
2. Make sure the EPSON Stylus Pro 10000/10000CF printer is selected for the printer port.

Printer port setting does not match the printer connection port

If you use Windows, select the printer port as described below.

For Windows Me, 98, or 95

1. Click Start, point to Settings and select Printers.
2. Right-click EPSON Stylus Pro 10000/10000CF in the Printers window, then select Properties.
3. Click the Details tab.
4. Make sure that your printer driver is selected in the Print using the following driver list. Then select the port to which your printer is connected in the Print to following port list.

For Windows 2000 or NT 4.0

1. Click Start, point to Settings and select Printers.
2. Right-click EPSON Stylus Pro 10000/10000CF in the Printers window, then select Properties.
3. Click the Ports tab.
4. Make sure that your printer port is selected.

The printer driver does not have enough available memory (Macintosh)

To increase the available memory in your Macintosh, select Control Panel from the Apple menu and double-click the Memory icon. You can increase the size of RAM cache or virtual memory to increase total available memory. Also quit all unnecessary applications.

The printer sounds like it is printing, but nothing prints

Try one or more of these solutions:

- ❑ Run the Head Cleaning utility. See “Using the Printer Utilities” on page 3-19.
- ❑ If the Head Cleaning utility doesn’t work, replace the ink cartridges. See “Replacing Ink Cartridges” on page 6-1.

Printouts are Not What You Expected

Incorrect or garbled characters

Try one or more of these solutions:

- ❑ Select your printer as the default printer in Windows. See “Your EPSON printer is not selected as the default printer” on page 7-6.
- ❑ Clear any stalled print jobs from the Progress Meter (for Windows), or EPSON Monitor3 (for Macintosh). See “Using the Progress Meter” on page 3-27, or “Using EPSON Monitor3” on page 9-109.
- ❑ Turn off the printer and computer. Make sure the printer’s interface cable is plugged in securely.
- ❑ Make sure the running application is for Windows Me, 98, 95, 2000, NT 4.0 or Macintosh.
- ❑ Make sure the EPSON Stylus Pro 10000/10000CF printer driver is selected.

If you are using Windows NT 4.0, try to uninstall the EPSON Printer Port. Click Start, point to Programs, then point to EPSON Printers, and point to EPSON Printer Port Uninstall. Follow the messages on the screen.

Incorrect margins

Try one or more of these solutions:

- Check the margin settings in your application.
- Make sure the margins are within the printable area of the page. See “Printable area” on page 8-3.
- For Windows, check the settings in the Paper menu. Make sure they are correct for the paper size you are using.

For Macintosh, check the settings in the Page Setup dialog box. Make sure they are correct for the paper size you are using.

- Make sure the paper set position is correct. Line the paper up straightly and close to the rows of punch holes on the printer.

Inverted image

Turn off the Flip Horizontal setting in the printer driver. For instructions, see online help for the printer driver.

Blank pages print

Try one or more of these solutions:

- Select your printer as the default printer in Windows. See “Your EPSON printer is not selected as the default printer” on page 7-6.

- ❑ For Windows, check the settings in the Paper menu. Make sure they are correct for the paper size you are using.

For Macintosh, check the settings in the Page Setup dialog box. Make sure they are correct for the paper size you are using.

Printed color differs from the color on the screen

Try one or more of these solutions:

- ❑ To color match your system, select sRGB for Windows, or ColorSync for Macintosh, in the Advanced dialog box.

Since monitors and printers produce colors differently, printed colors will not always match on screen colors perfectly. However, the above color systems are provided to overcome color differences.

- ❑ Select PhotoEnhance4 in the Advanced dialog box. You can produce sharper images with more vivid colors.
- ❑ Select Color Adjustment in the Advanced dialog box and adjust color, brightness, etc. as required.
- ❑ For Macintosh, make sure your application and image reading devices support the ColorSync system when you are selecting ColorSync in the Advanced dialog box.
- ❑ Do not use plain paper.

The color of printout images can differ with media. Use the appropriate paper for your color printing requirements.

A ruled line shifts

Make sure the print heads are not misaligned.

When bi-directional printing is made, the ruled lines will shift if the print heads are misaligned. Run the Print Head Alignment utility. See “Using the Printer Utilities” on page 3-19.

Printout has smears on the bottom edge

Try one or more of these solutions:

- If the paper is curled towards the printable side, flatten it or curl it slightly to the opposite side.
- For EPSON paper, check the Media Type setting in the Main menu for Windows or in the Print dialog box for Macintosh. Make sure it is correct for the paper you are using.

For paper other than EPSON’s, register and select paper thickness in the SelecType mode. Make sure it is correct for the paper you are using. See “SelecType Settings” on page 1-6.

- Set the platen gap setting to WIDE in the Printer Setting menu of the SelecType mode. See “SelecType Settings” on page 1-6.

Print Quality Could be Better

Horizontal banding

Try one or more of these solutions:

- For Windows, check the Media Type setting in the Main menu. Make sure it is correct for the paper you are using.

For Macintosh, check the Media Type setting in the Print dialog box. Make sure it is correct for the paper you are using.

- Make sure the printable side of the paper is face-up.

- ❑ Run the Head Cleaning utility to clear any clogged ink nozzles.
- ❑ Check the Ink Out lights. If necessary, replace ink cartridges. See “Replacing Ink Cartridges” on page 6-1.

Vertical misalignment or banding

Try one or more of these solutions:

- ❑ Turn off the High Speed setting in your printer driver. For instructions, see the printer driver’s online help.
- ❑ Run the Print Head Alignment utility. See “Using the Printer Utilities” on page 3-19.

Incorrect or missing colors

Try one or more of these solutions:

- ❑ For Windows, check the Media Type setting in the Main menu. Make sure it is correct for the paper you are using.

For Macintosh, check the Media Type setting in the Print dialog box. Make sure it is correct for the paper you are using.

- ❑ Make sure the printable side of the paper is face-up.
- ❑ Run the Head Cleaning utility. See “Using the Printer Utilities” on page 3-19.

If colors are still incorrect or missing, replace one or all ink cartridges. See “Replacing Ink Cartridges” on page 6-1.

- ❑ Adjust the color settings in your application or your printer driver. See your application’s documentation.

Faint printout or gaps

Try one or more of these solutions:

- Make sure that the ink cartridges do not exceed the expiry date. The expiry date is labeled on the outside of the ink cartridge.
- For Windows, check the Media Type setting in the Main menu. Make sure it is correct for the paper you are using.

For Macintosh, check the Media Type setting in the Print dialog box. Make sure it is correct for the paper you are using.

- Run the Head Cleaning utility to clear any clogged ink nozzles. See “Using the Printer Utilities” on page 3-19.
- Check the Ink Out lights. If necessary, replace ink cartridges. See “Replacing Ink Cartridges” on page 6-1.
- Select thinner paper in the SelecType mode. Check the paper number setting in the Paper Configuration menu. See “SelecType Settings” on page 1-6.
- The platen gap may be too wide for your paper. Change the platen gap setting from WIDE to AUTO in the Printer Setting menu of the SelecType mode. See “SelecType Settings” on page 1-6.

Blurry or smeared printout

Try one or more of these solutions:

- For Windows, check the Media Type setting in the Main menu. Make sure it is correct for the paper you are using.

For Macintosh, check the Media Type setting in the Print dialog box. Make sure it is correct for the paper you are using.

- ❑ If the paper you are using is not supported by the printer driver, set the paper thickness using the SelecType setting. See “SelecType Settings” on page 1-6.
- ❑ Make sure your paper is dry and the printable side is face-up. Also, make sure you are using the correct type of paper. See “Paper” on page 8-7 for specifications.
- ❑ Ink may have leaked inside the printer; wipe the inside of the printer with a soft, clean cloth.
- ❑ Run the Head Cleaning utility. See “Using the Printer Utilities” on page 3-19.
- ❑ Select thicker paper in the SelecType mode. Check the paper number setting in the Paper Configuration menu. See “SelecType Settings” on page 1-6.
- ❑ The platen gap may be too narrow for your paper. Set the platen gap setting to WIDE in the Printer Setting menu of the SelecType mode. See “SelecType Settings” on page 1-6.

Color Documents Print in Black Only

Try one or more of these solutions:

- ❑ Make sure the color data settings in your application are correct.
- ❑ Make sure Color (not Black) is set in the Main menu for Windows or Print dialog box for Macintosh.

Printing Could be Faster

Try one or more of these solutions:

- ❑ To increase print speed, select the Automatic mode in the Main menu for Windows or in the Print dialog box for Macintosh and then move the slider towards Speed.
- ❑ Do not run too many applications at the same time. Close any applications you are not using.
- ❑ Delete unnecessary files to make room on your hard disk drive.

Note:

Your computer may not have enough memory. For further tips, see "Increasing the Print Speed (Windows only)" on page 7-91.

Roll Paper Cannot be Cut

Try one or more of these solutions:

- ❑ Make sure that the Roll Auto Cut light is on. Press the Paper Source button if necessary. Then press the Cut/Eject button. The printer cuts the roll paper.
- ❑ Cut the roll paper by hand if necessary. Check that the paper thickness of the roll paper loaded in the printer matches the paper specification (see "Paper" on page 8-7). If so, the paper cutter may be blunt and require replacement as described in "Replacing the Paper Cutter" on page 6-5.

Note:

If you use roll paper other than EPSON special media, see the user documentation included with the paper, or contact your supplier.

Paper Feed or Paper Jam Problems Occur Frequently

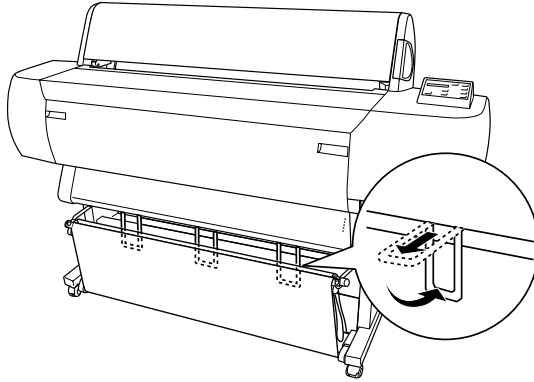
Try one or more of these solutions:

- Secure the roll paper you are not using with the roll paper belt when two roll paper spindles are installed. See “Using the roll paper belt” on page 5-12.
- Before loading paper and guiding it through the paper insertion slot, make sure the roll paper is wound up firmly. Position the bottom edge of the paper straightly and in line with the rows of punch holes on the printer.
- Make sure the paper is not folded or wrinkled.
- Make sure printing occurs within the operational temperature range.
- Make sure the paper is not damp.
- Make sure the paper is not too thick or too thin. See “Paper” on page 8-7.
- Make sure no foreign objects are inside the printer.
- For Windows, check the Media Type setting in the Main menu. Make sure it is correct for the paper you are using.

For Macintosh, check the Media Type setting in the Print dialog box. Make sure it is correct for the paper you are using.
- Make sure that the platen gap setting matches your paper. You can change the platen gap setting in the Printer Setting menu of the SelecType mode. See “SelecType Settings” on page 1-6.
- For paper other than EPSON's, check the paper type selected in the Paper Configuration menu of the SelecType mode. See “Setting the paper thickness” on page 1-16.

Roll Paper does not Eject Properly

Roll paper is wound tightly and may feed with a curl. If so, extend the three paper guides out from the lower printer.

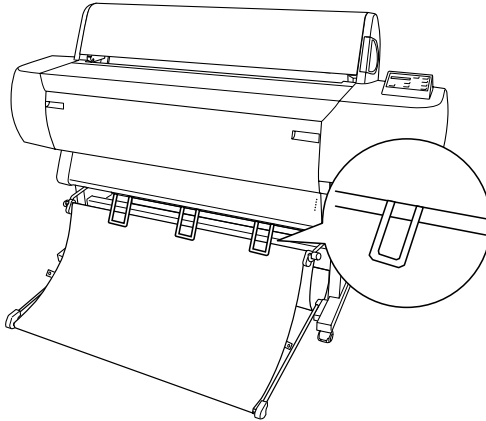


Caution:

The paper guides only need to be used when the paper feeds with a curl. At other times, keep the paper guides pushed in, otherwise your printouts may be damaged.

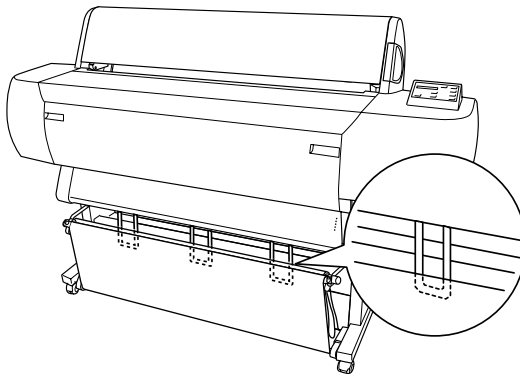
When feeding paper forward

Extend the paper guides out from the printer so they rest on the front of the paper basket.



When feeding paper backward

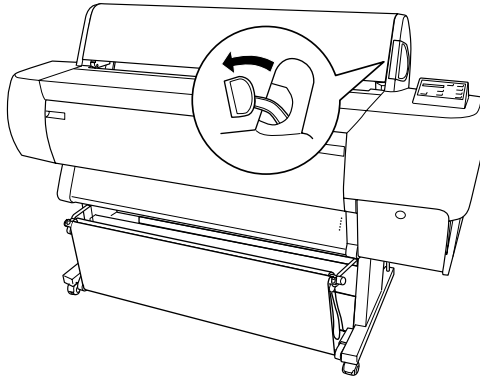
Extend the paper guides out from the printer so that they rest on the back of the paper basket.



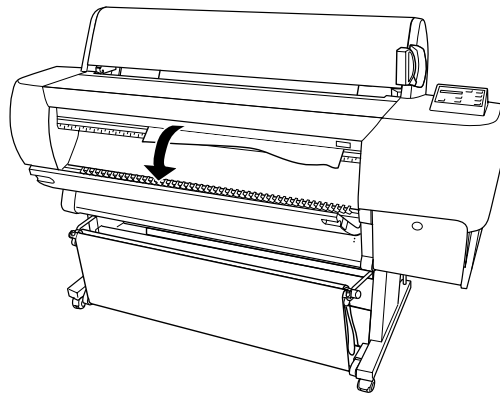
Clearing Paper Jams

To remove jammed paper, follow these steps:

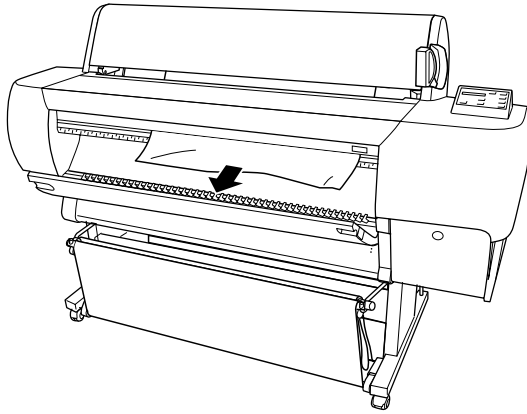
1. If roll paper is jammed, cut the paper at the paper insertion slot.
2. Set the paper set lever to the released position to release the paper.



3. Open the lower cover if necessary.



- Carefully pull down the jammed paper. **TURN PWR OFF AND ON** is displayed on the LCD panel.



- Close the lower cover, if necessary, then press the Power button to turn the printer off and back on.
- Make sure that the Paper Out light is on and **LOAD PAPER** is displayed on the LCD panel. To load paper see “Using Roll Paper” on page 5-2 or “Using Cut Sheet Media” on page 5-15.

Note:

When you install two roll paper spindles, secure the roll paper that you are not using with the roll paper belt packed with your printer. See “Using the roll paper belt” on page 5-12.

If you do not resume printing afterwards, make sure the print heads are in the home (far right) position. If not, turn the printer on, wait until the print heads move to the home position, then turn off the printer.



Caution:

If the print heads are not left in the home position, print quality may decline.

Troubleshooting on the Optional Auto Take-up Reel Unit

Try one or more of these solutions:

- ❑ The roll paper may not have sufficient slack around the auto take-up reel unit. Make sure that there is adequate slack between the roll paper and the take-up reel core. See “Loading roll paper onto the take-up reel core” on page 9-159.
- ❑ The Auto switch on the auto take-up reel unit may not be positioned for the direction you want. Select a direction using the Auto switch on the control box. See “Taking-up your prints” on page 9-164.
- ❑ If the sensor light flashes slowly when you are not printing, there may be an external obstruction between the emitter and detector, or sensor adjustment may not be set properly. Check for an obstruction in the sensor detection area, or adjust the sensor position. See “Adjusting the sensor” on page 9-157.
- ❑ If the sensor light is still flashing, the printer will print the job for approximately three meters and stop printing. Set the paper set lever to the released position, then check that the roll paper is set properly and that there is no external obstruction in the sensor detection area. If the roll paper is not set properly, wind the excess paper up and set the paper set lever to the secured position.
- ❑ If the sensor light is flashing rapidly, the auto take-up reel unit is locked. Turn the printer OFF and ON again.
- ❑ If the sensor light is off, the sensor cable may not be connected properly. Check the connection of the sensor cables.

Product Information

Printer Specifications

Printing

Printing method: On-demand ink jet

Nozzle configuration: Black: 180 nozzles
Color: 180 nozzles × 5
(cyan, magenta, yellow, light cyan, light magenta)

Character mode:

Character Pitch	Printing Column
10 cpi*	437

* characters per inch

Raster graphics mode:

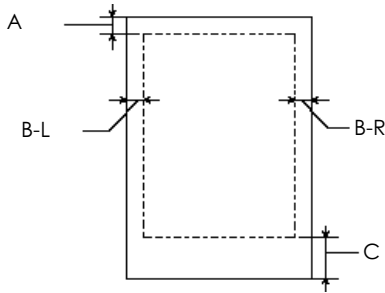
Horizontal resolution	Printable width	Available dots
360 dpi*	1112 mm (43.78 inches)	15762
720 dpi	1112 mm (43.78 inches)	31524
1440 dpi	1112 mm (43.78 inches)	63048

* dots per inch

Resolution:	Maximum 1440 dpi × 720 dpi
Print direction:	Bidirectional
Control code:	ESC/P Raster
Line spacing:	1/6 inch or programmable in 1/720 inch increments
Paper feed speed:	200 ± 10 mm seconds per 1/6 inch line
RAM:	External 128 MB (fixed)
Character tables:	PC 437 (US, Standard Europe), PC 850 (Multilingual)
Character sets:	EPSON Courier 10 cpi

Printable area

Roll paper and cut sheets



- A: For roll paper, the minimum top margin is 3.0 mm (0.12")*. For cut sheets, the minimum top margin is 3.0 mm (0.12").
- B-L: For roll paper, the minimum left margin is 3.0 mm (0.12")*. For cut sheets, the minimum left margin is 3.0 mm (0.12").
- B-R: For roll paper, the minimum right margin is 3.0 mm (0.12")*. For cut sheets, the minimum right margin is 3.0 mm (0.12").
- C: For roll paper, the minimum bottom margin is 3.0 mm (0.12")*. For cut sheets, the minimum bottom margin is 14.0 mm (0.55").

* For roll paper, the following margin widths can be selected using the control panel as follows. For details, see "ROLL MARG" in "Printer Setting menu (PRINTER SETTING MENU)" on page 1-8.

Parameter	A	B-L	B-R	C
3 mm	3 mm	3 mm	3 mm	3 mm
15 mm	15 mm	15 mm	15 mm	15 mm
T/B 15 mm (Default)	15 mm	3 mm	3 mm	15 mm

Note:

The printer automatically detects the dimensions of the paper that is loaded. Print data that exceeds the printable area of the paper cannot be printed.

Mechanical

Paper feed method	Friction
Paper path:	Roll paper or cut sheets with manual insertion
Dimensions (printing):	Width: 1,865 mm (73.4 inches) Depth: 710 mm (28.0 inches) Height: 1,225 mm (48.2 inches)
Weight:	Approx. 132 kg (291 lb) with stand

Electrical

	Rated 100 V to 240 V
Input voltage range	90 to 264 V
Rated frequency range	50 to 60 Hz
Input frequency range	49 to 61 Hz
Rated current	1.4 - 0.7 A
Power consumption	Approx. 130.5 W (ISO10561 Letter Pattern) 29 W or less in sleep mode

Note:

Check the label on the back of the printer for voltage information.

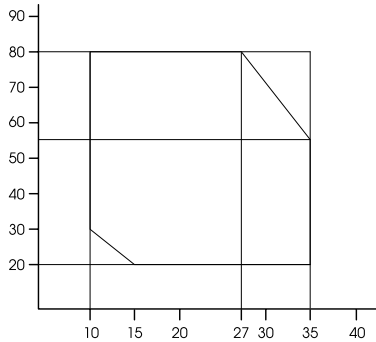
Environmental

Temperature:	Operation:	10 to 35°C (50 to 95°F)
	Storage:	-20 to 40°C (-4 to 104°F)
	Transit:	-20 to 60°C (-4 to 140°F)* 1 month at 40°C (104°F) 120 hours at 60°C (140°F)
Humidity:	Operation:	20 to 80% RH**
	Storage:	20 to 85% RH**
	Transit:	5 to 85% RH*, **

* Stored in shipping container

** Without condensation

Operational conditions (temperature and humidity):



Initialization

Hardware initialization at power on:

- The printer mechanism is set to its initial state.
- The input data buffer and print buffer are cleared.
- The printer returns to the default condition last set.

Software initialization when the ESC@ (initialize the printer) command is received:

- The print buffer is cleared.
- The printer returns to the default condition last set.

Panel button initialization by pressing the PAUSE button on the control panel for 3 seconds, or *INI signal is send:

- Print head capping occurs.
- Paper is ejected, if any.
- The input data buffer and print buffer are cleared.
- The printer returns to the default condition last set.

Standards and Approvals

Safety	UL 1950 CSA 22.2 No. 950 Low Voltage Directive 73/23/EEC EN 60950 EN 60825
EMC	FCC part 15 subpart B class A CSA C108.8 class A AS/NZS 3548 class A EMC Directive 89/336/ECC EN 55022 Class A EN 55024 EN 61000-3-2 EN 61000-3-3



Warning:

This is a class A product. In a domestic environment this product may cause radio interference in which case the user may be required to take adequate measures.

Paper

Note:

Since the quality of any particular brand or type of paper may be changed by the manufacturer at any time, EPSON cannot attest to the quality of any non-EPSON brand or type of paper. Always test samples of paper before purchasing large quantities or printing large jobs.

Roll paper:

Size	210 to 1118 mm (W) × 45000 mm (L) (8.26 to 44.02 inches × 1771.65 inches) (Internal diameter: 2 inches) 210 to 1118 mm (W) × 202000 mm (L) (8.26 to 44.02 inches × 7952.76 inches) (Internal diameter: 3 inches)
Outer diameter	103 mm (4.05 inches) maximum for standard/optional 2-inch roll paper spindle 150 mm (5.90 inches) maximum for optional 3-inch roll paper spindle
Paper types	Plain paper, special papers distributed by EPSON
Thickness (for plain paper)	0.08 to 0.50 mm (0.003 to 0.019 inches)
Weight (for plain paper)	64 gf/m ² (17 lb) to 90 gf/m ² (24 lb)

Cut sheets:

Size	Super B0 (1118 × 1580 mm) B0 (1030 × 1456 mm) B1 (728 × 1030 mm) B2 (515 × 728 mm) B3 (364 × 515 mm) Super A0 (914 × 1292 mm) A0 (841 × 1189 mm) Super A1 (24 × 36 inches) A1 (594 × 841 mm) A2 (420 × 594 mm) A3 (297 × 420 mm) A4 (210 × 297 mm) Super A3/B (329 × 483 mm) US E (34 × 44 inches) US D (22 × 34 inches) US C (17 × 22 inches) US B (11 × 17 inches) Letter (8.5 × 11 inches)
Paper types	Plain paper, special papers distributed by EPSON
Thickness (for plain paper)	0.08 to less than 0.11 mm (0.003 to less than 0.004 inches)
Weight (for plain paper)	64 gf/m ² (17 lb) to 90 gf/m ² (24 lb)

Note:

- ❑ *Poor quality paper may reduce print quality and cause paper jams or other problems. If you encounter problems, switch to a higher grade of paper.*
- ❑ *Do not load curled or folded paper.*

Use paper under the following conditions:

Temperature 15 to 25°C (59 to 77°F)
Humidity 40 to 60% RH

EPSON Photo Quality Glossy Film should be stored
under the following conditions:

Temperature 15 to 30°C (59 to 86°F)
Humidity 20 to 60% RH

Ink cartridges

ColorFast

Colors	Black	T511011
	Yellow	T512011
	Magenta	T513011
	Cyan	T514011
	Light Magenta	T515011
	Light Cyan	T516011

Dye

Colors:	Black	T499011
	Yellow	T500011
	Magenta	T501011
	Cyan	T502011
	Light Magenta	T503011
	Light Cyan	T504011

Cartridge life (ColorFast): 2 years from production date if unopened;
within 6 months after opening package.

Cartridge life (Dye): 2 years from production date if unopened;
within 2 years after opening package.

Temperature: Storage (uninstalled): -30 to 40°C (-22 to 105°F)
1 month at 40°C (104°F)

Storage (installed): -20 to 40°C (-4 to 104°F)
1 month at 40°C (104°F)
120 hours at 60°C (140°F)

Dimensions: 168 mm (W) × 344 mm (D) × 30.3 mm (H)
(6.62 (W) × 13.54 (D) × 1.19 (H) inches)

Weight: Approx. 860 g (1.9 lb.)

Capacity: 500 ml



Caution:

- If you are using ColorFast type ink cartridges, shake the ink cartridge gently before installing it for best results.*
- EPSON recommends the use of original EPSON ink cartridges only. Other products not manufactured by EPSON may cause damage to your printer not covered by EPSON's warranties.*
- Do not use an ink cartridge if the expiry date has passed.*

System Requirements

To use your printer with a PC

To use your printer, you need Microsoft® Windows Me, 98, 95, 2000, or NT 4.0, and a shielded, twisted-pair parallel cable. If you want to connect your printer to a USB port, you need a Windows Me, 98, or 2000 pre-installed PC equipped with a USB port, and a shielded USB cable.

Your computer should also meet the following system requirements:

Minimum system	Recommended system
Pentium for Windows 98, 95, and NT 4.0 Pentium 133 MHz for Windows 2000 Pentium 150 MHz for Windows Me	Pentium II 400 MHz or higher processor
32 MB RAM for Windows Me, 98, 95, NT 4.0 64 MB RAM for Windows 2000	128 MB RAM or more
100 MB hard disk space for Windows Me, 98, 95, 2000, and NT 4.0	500 MB* ¹ /300 MB* ² or more free disk space (B0)
VGA monitor	VGA or better monitor

*1 is for graphic data use

*2 is for line data use

Your computer dealer can help you update your system if it does not meet these requirements.

To use your printer with a Macintosh

To use this printer, your Apple® Macintosh must meet the following system requirements. You also need a USB cable to connect this printer to your Macintosh.

Minimum system	Recommended system
PowerPC	PowerPC G3 350MHz* ¹ /PowerPC G3 300 MHz* ² or higher processor
System 7.6.1	Mac OS 8.1 or later
11 MB of available memory 14 MB of available memory when background printing is turned on.	33 MB or more of available memory 56 MB of available memory when background printing is turned on.
-	500 MB* ¹ /300 MB* ² or more free disk space (B0)

*1 is for graphic data use

*2 is for line data use

Note:

- The amount of available memory varies according to the number and kind of applications that are open. To see how much memory is available, choose About This Macintosh from the Apple menu and refer to the memory size (listed in kilobytes) under "Largest Unused Block" (1,024 K = 1 MB).*
- The memory requirements above are for printing on B0 (1030×1456 mm) size paper. These requirements may vary depending on the size of the paper, the type of application you are using, and the complexity of the document you want to print.*
- The available interface varies according to Macintosh system version as follows:
Network interface: 7.6.1 to 9.x
USB interface: 8.1 to 9.x
Type-B interface: 8.6.x to 9.x*

In addition to these system and memory requirements, you also need 15 MB of free hard disk space to install your printer software.

Interface Specifications

Your printer is equipped with an 8-bit parallel interface and a USB interface.

Parallel interface

The built-in parallel interface has the following characteristics:

Compatibility mode

Data format	8-bit parallel
Synchronization	$\overline{\text{STROBE}}$ pulse
Handshake timing	BUSY and $\overline{\text{ACKNLG}}$ signals
Signal level	TTL level (IEEE-1284 level 1 device)
Adaptable connector	57-30360 Amphenol connector or equivalent

Nibble mode

Transmission mode	8-bit parallel
Synchronization	$\overline{\text{STROBE}}$ pulse
Handshaking	BUSY and $\overline{\text{ACKNLG}}$ signals
Signal level	TTL level (IEEE-1284 level 1 device)
Data transmission timing	Refer to the IEEE-1284 specification

ECP mode

Transmission mode	IEEE-1284 ECP mode
Synchronization	Refer to the IEEE-1284 specification
Handshaking	Refer to the IEEE-1284 specification
Signal level	TTL level (IEEE-1284 level 1 device)
Data transmission timing	Refer to the IEEE-1284 specification

USB interface

The printer's built-in USB interface is based on the standards specified in the Universal Serial Bus Specifications Revision 1.1 and the Universal Serial Bus Device Class Definition for Printing

Devices Version 1.1. This interface has the following characteristics.

Standard	Based on Universal Serial Bus Specifications Revision 1.1, Universal Serial Bus Device Class Definition for Printing Devices Version 1.1
Bit rate	12 Mbps (full speed device)
Data encoding	NRZI
Adaptable connector	USB Series B
Recommended cable length	2 meters

Options and Consumable Products

Options and Consumable Products

Options

The following options are available for use with your printer.

Note:

The asterisk is a substitute for the last digit of the product number, which varies by country.

Roll paper spindles

Additional roll paper spindles are available to make changing roll paper faster and easier. You can keep different types of roll paper on several spindles so they are always ready to be loaded into the printer. To use optional spindles, see “Using Roll Paper” on page 5-2.

Roll Feed Spindle 2 inch	C81113*
Roll Feed Spindle 2 inch (High Tension)	C81113*
Roll Feed Spindle 3 inch (High Tension)	C81112*

Auto Take-Up Reel Unit

This option takes up your printed roll paper documents automatically. The unit contains the Take-Up Reel Core, a drive unit and movable unit which are attached to the printer, and drafting tape. To install and use this option, see the optional *Auto Take-Up Reel Unit User's Guide*.

Auto Take-Up Reel Unit	C81517*
------------------------	---------

Manual Cutter Unit

This option helps you cut your printed roll paper manually. To install and use the cutter, see the attached manual.

Manual Cutter Unit	C81518*
Manual Cutter Spare Blade	C81519*

Interface cards

A number of optional interface cards are available to supplement the printer's built-in interfaces. To install optional interface cards, see your *Startup Guide*.

If you are not sure whether you need an optional interface, or if you want to know more about interfaces, contact your dealer.

EPSONNet 10/100 BASE TX Int. Printer Server	C82384*
IEEE 1394 I/F card	C82372*

Note:

The use of some optional interface cards may increase the time required to print graphics and image data.

Consumable products

The following consumable products are available for use with your printer.

Paper cutter

If you notice the edge of the paper is not cut cleanly, you can replace the cutter blade. See “Replacing the Paper Cutter” on page 6-5.

Paper Cutter Blade	C815131*
--------------------	----------

Ink cartridges

To replace ink cartridges, see “Replacing Ink Cartridges” on page 6-1.

<ColorFast>

Ink cartridge (Black)	T511011
-----------------------	---------

Ink cartridge (Yellow)	T512011
------------------------	---------

Ink cartridge (Magenta)	T513011
-------------------------	---------

Ink cartridge (Cyan)	T514011
----------------------	---------

Ink cartridge (Light Magenta)	T515011
-------------------------------	---------

Ink cartridge (Light Cyan)	T516011
----------------------------	---------

<Dye>

Ink cartridge (Black)	T499011
-----------------------	---------

Ink cartridge (Yellow)	T500011
------------------------	---------

Ink cartridge (Magenta)	T501011
Ink cartridge (Cyan)	T502011
Ink cartridge (Light Magenta)	T503011
Ink cartridge (Light Cyan)	T504011

Note:

The product number varies by country.

EPSON special media

Most plain paper works well in your printer. In addition, EPSON offers specially designed media for ink jet printers to meet most high-quality printing needs.

Roll paper (for ColorFast ink)

EPSON Doubleweight Matte Paper 24" × 25 m	S041385
EPSON Doubleweight Matte Paper 36" × 25 m	S041386
EPSON Doubleweight Matte Paper 44" × 25 m	S041387
EPSON Glossy Paper-Photo Weight 22" × 20 m	S041388
EPSON Glossy Paper-Photo Weight 44" × 20 m	S041389
EPSON Premium Glossy Photo Paper 24" × 30.5 m	S041390
EPSON Premium Glossy Photo Paper 36" × 30.5 m	S041391
EPSON Premium Glossy Photo Paper 44" × 30.5 m	S041392
EPSON Premium Semigloss Photo Paper 24" × 30.5 m	S041393
EPSON Premium Semigloss Photo Paper 36" × 30.5 m	S041394
EPSON Premium Semigloss Photo Paper 44" × 30.5 m	S041395
EPSON Watercolor Paper-Radiant White 24" × 18 m	S041396
EPSON Watercolor Paper-Radiant White 36" × 18 m	S041397
EPSON Watercolor Paper-Radiant White 44" × 18 m	S041398
EPSON Glossy Film 610 mm × 20 m	S041314
EPSON Glossy Film 914 mm × 20 m	S041313
EPSON Glossy Film 1118 mm × 20 m	S041312
EPSON Synthetic Paper 24" × 40 m	S041399
EPSON Synthetic Paper 36" × 40 m	S041400

EPSON Synthetic Paper 44" × 40 m	S041401
EPSON Adhesive Synthetic Paper 24" × 30.5 m	S041402
EPSON Adhesive Synthetic Paper 36" × 30.5 m	S041403
EPSON Adhesive Synthetic Paper 44" × 30.5 m	S041404
EPSON Photo Grade Glossy Paper 24" × 30.5 m	S041475
EPSON Photo Grade Glossy Paper 36" × 30.5 m	S041476
EPSON Photo Grade Glossy Paper 44" × 30.5 m	S041477
EPSON Photo Grade Semigloss Paper 24" × 30.5 m	S041478
EPSON Photo Grade Semigloss Paper 36" × 30.5 m	S041479
EPSON Photo Grade Semigloss Paper 44" × 30.5 m	S041480
EPSON Smooth Fine Art Paper 24" × 15.2 m	S041431
EPSON Smooth Fine Art Paper 36" × 15.2 m	S041432
EPSON Smooth Fine Art Paper 44" × 15.2 m	S041433
EPSON Textured Fine Art Paper 24" × 15.2 m	S041447
EPSON Textured Fine Art Paper 36" × 15.2 m	S041448
EPSON Textured Fine Art Paper 44" × 15.2 m	S041449
EPSON Adhesive Vinyl 24" × 12.2 m	S041436
EPSON Adhesive Vinyl 36" × 12.2 m	S041437
EPSON Adhesive Vinyl 44" × 12.2 m	S041438
EPSON Heavyweight Polyester Banner 24" × 20 m	S041485
EPSON Heavyweight Polyester Banner 36" × 20 m	S041486

EPSON Heavyweight Polyester Banner 44" × 20 m	S041487
EPSON Tyvek® 24" × 18.3 m	S041494
EPSON Tyvek® 36" × 18.3 m	S041495
EPSON Tyvek® 44" × 18.3 m	S041496

Cut sheets (for ColorFast ink)

EPSON Watercolor Paper-Radiant White (Super A3/B)	S041352 S041351
EPSON Glossy Paper-Photo Weight (Super A3/B)	S041347
EPSON Glossy Paper-Photo Weight (A3)	S041350
EPSON Smooth Fine Art Paper 24" x 30"	S041434
EPSON Smooth Fine Art Paper 36" x 44"	S041435
EPSON Textured Fine Art Paper 24" x 30"	S041450
EPSON Textured Fine Art Paper 36" x 44"	S041451

Roll paper (for dye ink)

EPSON Glossy Film 610 mm x 20 m	S041314
EPSON Glossy Film 914 mm x 20 m	S041313
EPSON Glossy Film 1118 mm x 20 m	S041312
EPSON Presentation Matte Paper 24" x 25 m	S041295
EPSON Presentation Matte Paper 36" x 25 m	S041221
EPSON Presentation Matte Paper 44" x 25 m	S041220
EPSON Glossy Photo Paper 24" x 20.7 m	S041293
EPSON Glossy Photo Paper 36" x 20.7 m	S041225
EPSON Glossy Photo Paper 44" x 20.7 m	S041224
EPSON Semigloss Photo Paper 24" x 25 m	S041294

EPSON Semigloss Photo Paper 36" × 25 m	S041223
EPSON Semigloss Photo Paper 44" × 25 m	S041222
EPSON Polyester Banner 24" × 20 m	S041380
EPSON Polyester Banner 36" × 20 m	S041381
EPSON Polyester Banner 44" × 20 m	S041382
EPSON Heavyweight Polyester Banner 24" × 20 m	S041485
EPSON Heavyweight Polyester Banner 36" × 20 m	S041486
EPSON Heavyweight Polyester Banner 44" × 20 m	S041487

Cut sheets (for dye ink)

EPSON Photo Paper (A3)	S041142
EPSON Photo Paper (Super A3/B)	S041143
EPSON Photo Paper (B)	S041156
EPSON Photo Quality Ink Jet Paper (A2)	S041079
EPSON Photo Quality Ink Jet Paper (A3)	S041068 S041045
EPSON Photo Quality Ink Jet Paper (Super A3/B)	S041069 S041043
EPSON Photo Quality Ink Jet Paper (B)	S041070 S041044
EPSON Photo Quality Glossy Film (Super A3/B)	S041074
EPSON Photo Quality Glossy Film (A3)	S041073
EPSON Photo Quality Glossy Film (B)	S041075

Note:

- The availability of special media varies by country.*
- The names of some special media vary by country. Use the product number to confirm the type of special media you need or have.*

Customer Support Information

Contacting Customer Support

If your EPSON product is not operating properly and you cannot solve the problem using the troubleshooting information in your product documentation, contact customer support services for assistance. If customer support for your area is not listed below, contact the dealer where you purchased your product.

Customer support will be able to help you much more quickly if you give them the following information.

- Product serial number
(The serial number label is usually on the back of the product.)
- Product model
- Product software version
(Click About, Version Info, or similar button in the product software.)
- Brand and model of your computer
- Your computer operating system name and version
- Names and versions of the software applications you normally use with your product

Glossary

The following definitions apply specifically to printers.

application

A software program that helps you carry out a particular task, such as word processing or financial planning.

ASCII

American Standard Code for Information Interchange. A standardized coding system for assigning numerical codes to letters and symbols.

banding

The horizontal lines that sometimes appear when printing graphics. This occurs when the print heads are misaligned. See also *MicroWeave*.

bit

A binary digit (0 or 1), which is the smallest unit of information used by a printer or computer.

brightness

The lightness or darkness of an image.

buffer

The portion of the printer's memory used to store data before printing it.

byte

A unit of information consisting of eight bits.

characters per inch (cpi)

A measure of the size of text characters, sometimes referred to as pitch.

CMYK

Cyan (blue-green), magenta, yellow, and black. These colored inks are used to create the subtractive system array of printed color.

color matching

A method of processing color data so that colors displayed on a computer screen closely match colors in printouts. A variety of color-matching software is available. See also *ColorSync* and *sRGB*.

ColorSync

Macintosh software that is designed so you get WYSIWYG (What You See Is What You Get) color output. This software prints colors as you see them on your screen.

cpi

See *characters per inch*.

default

A value or setting that takes effect when the equipment is turned on, reset, or initialized.

DMA

Direct Memory Access. A data transfer feature that by-passes a computer's CPU and allows direct communication between the computer's memory and peripheral devices (such as printers).

dot matrix

A method of printing in which each letter or symbol is formed by a pattern (matrix) of individual dots.

dpi

Dots per inch. The dpi measures the resolution. See also *resolution*.

drive

A memory device, such as CD-ROM, hard disk, or floppy disk. In Windows, a letter is assigned to each drive for easy management.

driver

A software program that sends instructions to a computer peripheral to tell it what to do. For example, your printer driver accepts print data from your word processor application and sends instructions to the printer on how to print this data.

economy printing

Printing in which images are printed with fewer dots to save ink.

error diffusion

Error diffusion blends individual colored dots with the colors of the surrounding dots to create the appearance of natural colors. By blending colored dots, the printer can achieve excellent colors and subtle color gradation. This method is best suited for printing documents that contain detailed graphics or photographic images.

ESC/P

Abbreviation for Epson Standard Code for Printers. This system of commands gives you control of your printer from your computer. It is standard for all EPSON printers and supported by most application programs for personal computers.

ESC/P Raster

A command language that gives you control of your printer from your computer. Commands in this language produce laser-like features, such as enhanced graphics printing.

font

A style of type designated by a family name.

grayscale

A scale of shades of gray from black to white. Grayscale is used to represent colors when printing with black ink only.

halftones

Patterns of black or colored dots used to reproduce an image.

halftoning

Method of using dot patterns to represent an image. Halftoning makes it possible to produce varying shades of gray using only black dots, or a nearly infinite array of colors using only a few colors of dots. See also *halftones*.

head alignment

The operation to correct any misalignment of the print heads. Vertical banding will be corrected.

head cleaning

The operation to clean any clogged nozzles for correct printing.

high speed printing

Printing in which images are printed in both directions. This provides faster printing.

initialization

Returns the printer to its defaults (fixed set of conditions). This happens every time you turn on the printer or reset the printer.

ink cartridge

The cartridge which contains ink.

ink jet

A method of printing in which each letter or symbol is formed by precisely spraying ink onto paper.

interface

The connection between the computer and the printer. A parallel interface transmits data one character or code at a time. A serial interface transmits data one bit at a time.

interface cable

The cable that connects between the computer and the printer.

LCD

Liquid Crystal Display. Shows various messages according to status of the printer.

local printer

The printer which is connected to the computer's port directly by interface cable.

media

Materials upon which data is printed, such as roll paper and cut sheets, plain paper, and special paper.

memory

The part of the printer's electronic system that is used to store information (data). Some information is fixed and is used to control how the printer operates. Information that is sent to the printer from the computer is stored in the memory temporarily. See also *RAM* and *ROM*.

MicroWeave

Printing in which images are printed in finer increments to reduce the possibility of banding and to produce laser-like images. See also *banding*.

monochrome

This means printing with only one color of ink, which is generally black ink.

nozzle

Fine tubes in the print head through which ink is sprayed on the page. Print quality may decline if print head nozzles are clogged.

nozzle check

A method for checking the operation of the printer. When you perform a nozzle check, the printer prints the firmware (ROM) version and a nozzle check pattern.

online help

Helpful comments related to the current window or dialog box.

parallel interface

See *interface*.

Peer-to-peer networks

Windows 98 and 95 and Windows NT 4.0 support peer-to-peer networking. Any computer can access the resources of a computer on the network.

PhotoEnhance4

The EPSON software to change the shade of tone, to correct image data and to change the sharpness of the image data.

port

An interface channel through which data is transmitted between devices.

printable area

The area of a page on which the printer can print. It is smaller than the physical size of the page due to margins.

printer driver

A software program that sends commands for using the features of a particular printer. Often shortened to "driver". See also *driver*.

printing mode

The number of dots per inch used to represent an image. Your printer has three printing mode settings: SuperFine (1440 dpi), Fine (720 dpi), and Normal (360 dpi).

print queue

If your printer is connected to a network, print jobs that are sent to the printer while it is busy are stored in a waiting line, or print queue, until they can be printed.

Progress Meter

A meter that shows the progress of the current print job for Windows.

RAM

Random Access Memory. The portion of the printer's memory used as a buffer and for storing user-defined characters. All data stored in RAM is lost when the printer is turned off.

reset

To return a printer to its defaults by turning the printer off and then back on.

resolution

The number of dots per inch used to represent an image.

ROM

Read Only Memory. A portion of memory that can only be read and cannot be used for data storage. ROM retains its contents when you turn off the printer.

RGB

Red, green, and blue. These colors, in phosphors irradiated by the computer monitor's electron gun, are used to create the additive array of screen colors.

SelectType settings

Settings made using the printer's control panel. In SelectType mode, various printer settings that are not available using the printer driver, such as test print settings, can be made.

serial interface

See *interface*.

spool

The first step in printing, in which the printer driver converts the print data into codes that your printer understands. This data is then sent to the printer directly or to the print server.

Spool Manager

The software program that converts print data into codes that your printer understands. See also *spool*.

sRGB

Windows software that is designed so you get WYSIWYG (What You See Is What You Get) color output. This software prints colors as you see them on your screen.

Status Monitor

The software program that allows you to check the printer's status.

subtractive colors

Colors produced by pigments that absorb some colors of light and reflect others. See also *CMYK*.

utility

A program for carrying out a specific function, which is usually related to system maintenance.

WYSIWYG

Acronym for What You See Is What You Get. This term is used to describe printout that looks exactly as it appeared on screen.