

EPSON®

Auto Take-up Reel Unit User's Guide

<i>English</i>
<i>Deutsch</i>
<i>Français</i>
<i>Español</i>
<i>Italiano</i>
<i>Português</i>

All rights reserved. No part of this publication may be reproduced, stored in a retrieval system, or transmitted in any form or by any means, electronic, mechanical, photocopying, recording, or otherwise, without the prior written permission of SEIKO EPSON CORPORATION. The information contained herein is designed only for use with this EPSON product. EPSON is not responsible for any use of this information as applied to other products.

Neither SEIKO EPSON CORPORATION nor its affiliates shall be liable to the purchaser of this product or third parties for damages, losses, costs, or expenses incurred by purchaser or third parties as a result of: accident, misuse, or abuse of this product or unauthorized modifications, repairs, or alterations to this product, or (excluding the U.S.) failure to strictly comply with SEIKO EPSON CORPORATION's operating and maintenance instructions.

SEIKO EPSON CORPORATION shall not be liable against any damages or problems arising from the use of any options or any consumable products other than those designated as Original EPSON Products or EPSON Approved Products by SEIKO EPSON CORPORATION.

General Notice: Other product names used herein are for identification purposes only and may be trademarks of their respective owners. EPSON disclaims any and all rights in those marks.

Copyright © 2001 by SEIKO EPSON CORPORATION, Nagano, Japan.

For European Users

This product conforms to CE marking requirements in accordance with EC Directive 89/336/EEC.

Dieses Produkt entspricht den Bedingungen zur CE-Kennzeichnung in Übereinstimmung mit der EG-Richtlinie 89/336/EWG.

Ce produit est estampillé CE et conforme aux directives européennes 89/336/EEC.

Este producto cumple los requisitos de señalización de la CE, según lo dispuesto en las directivas 89/336/EEC de la CE.

Il prodotto è conforme ai requisiti CE ed alle direttive EC 89/336/EEC.

Este produto está em conformidade com os requisitos de etiquetagem CE nos termos da Directiva 89/336/EEC.

Safety Instructions

Important safety instructions

Read all of these instructions and save them for later reference. Follow all warnings and instructions marked on the unit.

- ❑ Do not place the unit near a radiator or heat source.
- ❑ Unplug the printer before cleaning. Clean with a damp cloth only. Do not spill liquid on the unit.
- ❑ Except as specifically explained in this guide, do not attempt to service the unit yourself.
- ❑ Unplug the unit and refer servicing to qualified service personnel under the following conditions:
 - if liquid has entered the unit;
 - if the unit has been dropped or the cabinet damaged;
 - if the unit does not operate normally or exhibits a distinct change in performance.

Note:

Adjust only those controls that are covered by the operating instructions.

A few precautions

- ❑ Always turn the printer off before changing the roll paper. Accidental operation of the take-up motor can cause injury.
- ❑ Make sure that the take-up reel unit is securely locked into place. Incorrect installation can cause the roll to fall and cause injury.
- ❑ Do not touch the auto take-up reel unit while it is operating. Hair or clothing can become caught in the unit and cause injury.
- ❑ Do not look directly at the sensor beam. Doing so may cause permanent eye damage.

For United Kingdom users

Use of options

Epson (UK) Limited shall not be liable against any damages or problems arising from the use of any options or consumable products other than those designated as Original EPSON products or EPSON Approved products by Epson (UK) Limited.

Warnings, cautions, and notes



Warnings must be followed carefully to avoid bodily injury.



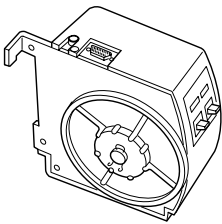
Cautions must be observed to avoid damage to your equipment.

Notes contain important information and useful tips on the operation of the product.

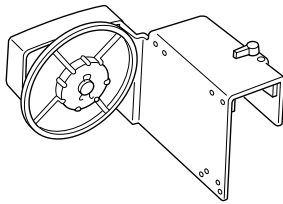
Checking the Package Contents

Make sure that all the items shown below are included and not damaged. Remove all protective materials packed with this unit before you set it up and turn on the power. Save all packaging and protective materials in case you need to transport the printer later.

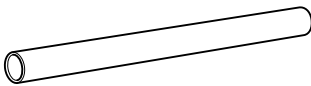
Drive unit (with control box)



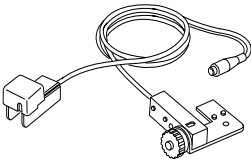
Movable unit



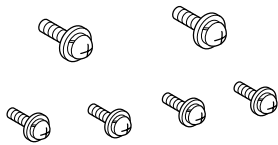
Take-up reel core (3 inch)



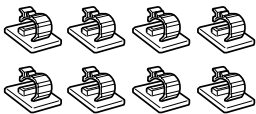
Sensor unit



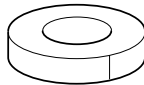
Screws (Large 2, small 4)



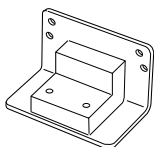
Cable clamps



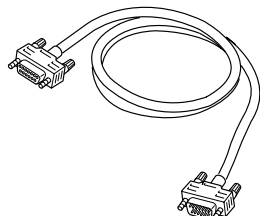
Drafting tape



Movable unit stopper



Cable connector



Installing the Auto Take-Up Reel Unit

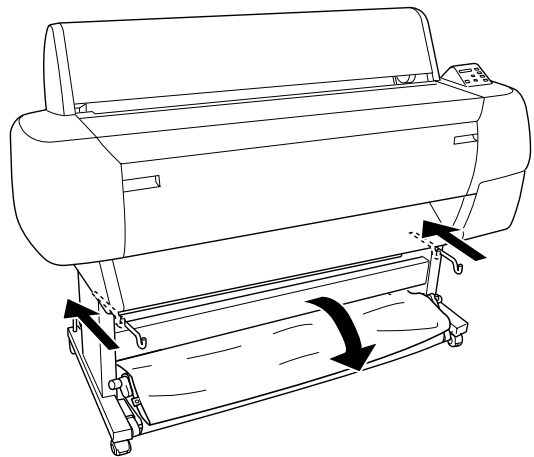


Caution:

Use only the provided screws when installing the auto take-up reel unit. Use of non-issue screws can leave components insecurely fastened, increasing the risk of injury and printer damage.

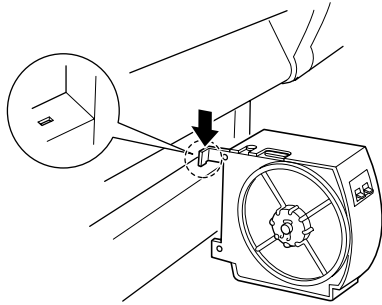
Before starting:

- ❑ Make sure that the printer is turned off.
- ❑ Remove the paper basket or push the front part of the paper basket to the rear to keep it out of the way.

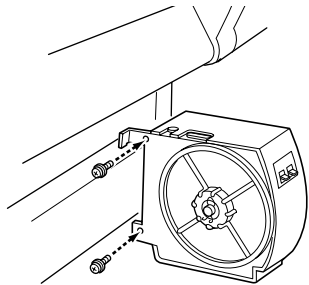


Installing the drive unit

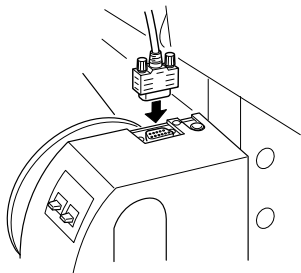
1. Attach the drive unit on the horizontal strut as shown below.



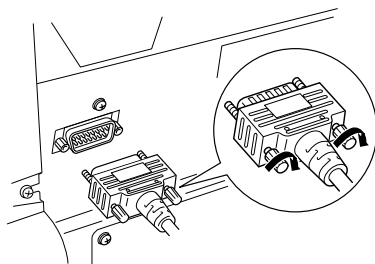
2. Tighten the two screws to attach the drive unit to the printer securely.



3. Plug the cable connector into the connector on top of the control box of the drive unit, then tighten the screws on both sides of the connector.

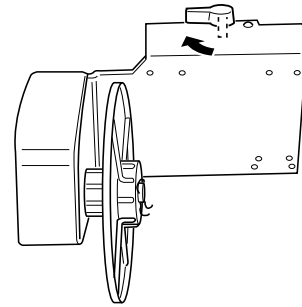


4. Plug the other end of the cable connector into the connector on the back of the printer as shown below, then tighten the screws on both sides of the connector.

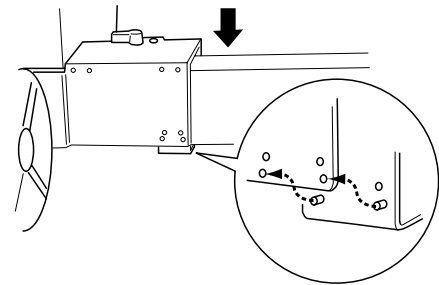


Installing the movable unit

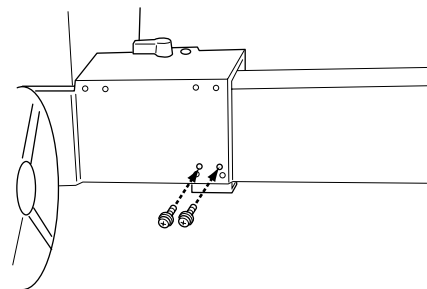
1. Turn the lock lever to the left to release it.



2. While holding the movable unit, attach the movable unit stopper on the bottom of the movable unit. Snap the two protrusions of the stopper into the movable unit, so the stopper does not fall off.

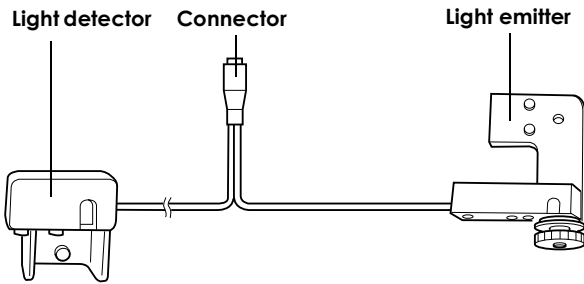


3. Tighten the two screws to attach the movable unit to the horizontal strut.

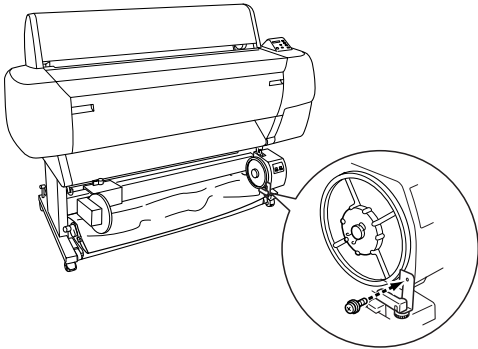


Installing the sensor unit

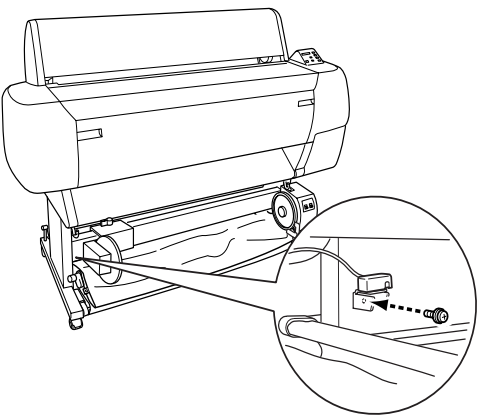
The sensor components are shown below.



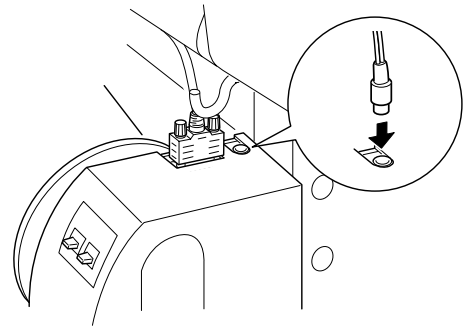
1. Set the sensor unit's light emitter in the bottom of the drive unit, and then secure it with a screw.



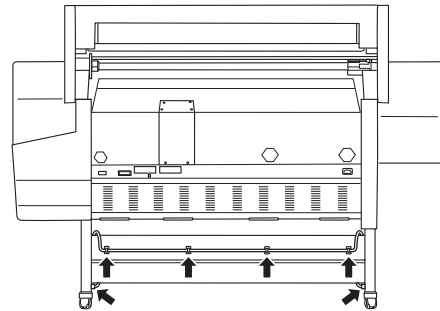
2. Set the sensor unit's light detector in the base unit's bottom left side, and then secure it with a screw.



3. Plug the connector of the sensor unit cable into the socket located at the top rear of the control box on the drive unit.



4. Fasten the cable using the cable clamps provided. Use as many of the clamps as necessary to secure the cable. You may need to do this from the back of the printer.

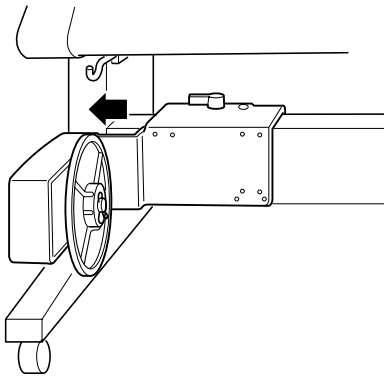


Installing the 3-inch take-up reel core

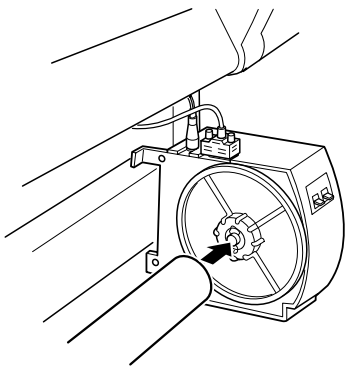
Note:

If you want to install a 2-inch take-up reel core instead, see the next section for instructions. Also you can reuse the core from a used paper roll. See your Online Guide.

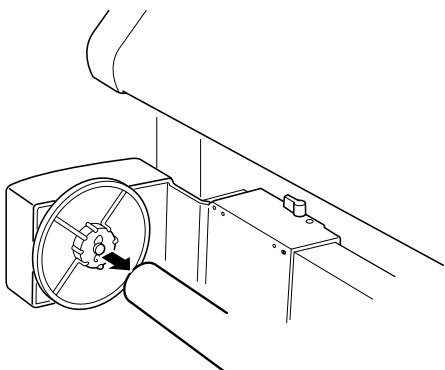
1. Make sure that the lock lever is released (turned to the left). Slide the movable unit to the left end of the horizontal strut.



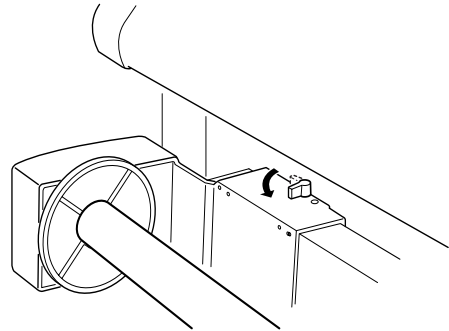
2. Slip one end of the take-up reel core over the flanged knob on the drive unit.



3. Insert the flanged knob on the movable unit into the other end of the take-up reel core.



4. Turn the lock lever to the front to lock the movable unit.

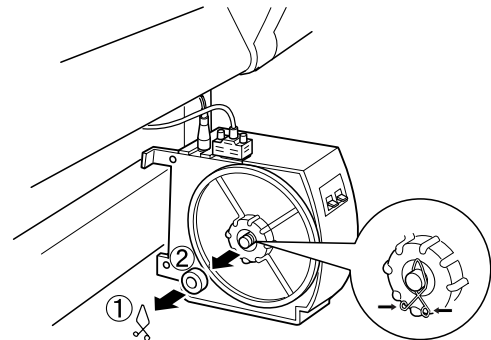


The installation of the 3-inch auto take-up reel unit is complete.

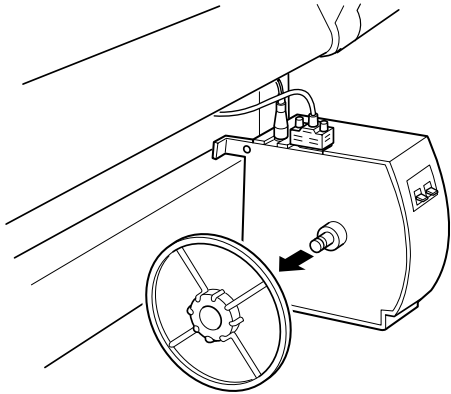
Installing a 2-inch take-up reel core

If you want to use the 2-inch take-up reel core, you need to reverse the flanges on the drive unit and movable unit first. Follow the steps below.

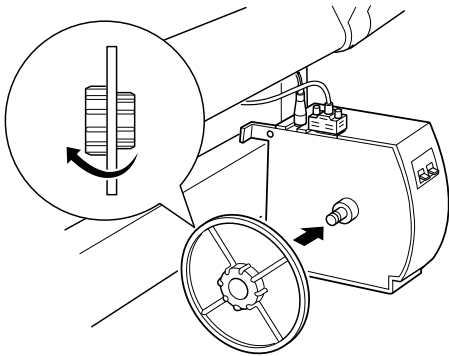
1. Make sure that your printer is turned off.
2. Remove the cap and fastener from the drive unit.



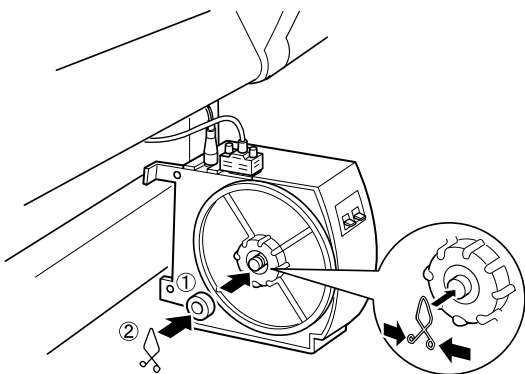
3. Remove the flange.



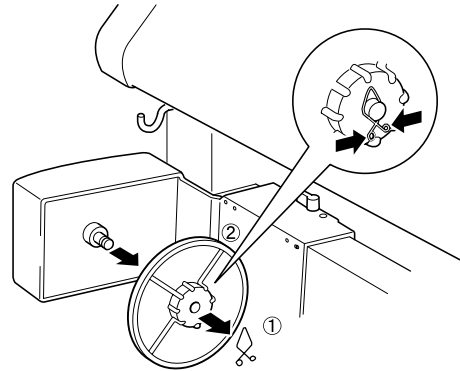
4. Reverse the flange so that the smaller knob is positioned on the outside, then replace it on the drive unit.



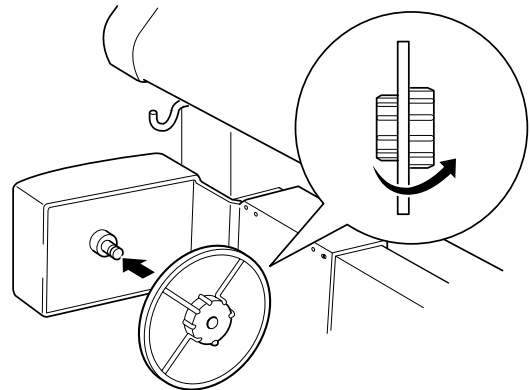
5. Replace the cap and fastener, which you removed in step 2, on the drive unit.



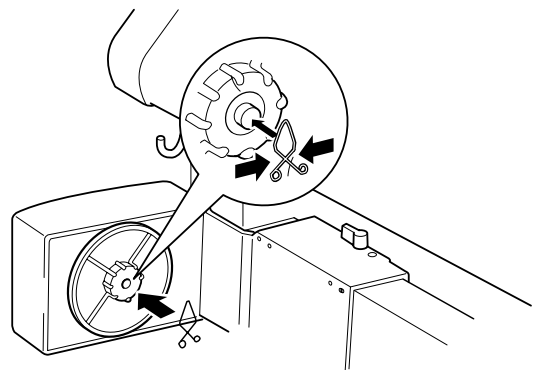
6. Remove the fastener from the movable unit. Next, remove the flange.



7. Reverse the flange so that the smaller knob is positioned on the outside, then replace it on the movable unit.



8. Replace the fastener, which you removed in step 6, back on the movable unit.



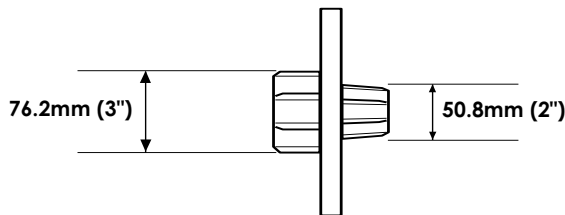
9. Install the 2-inch take-up reel core in the auto take-up reel unit in the same manner as described in "Installing the 3-inch take-up reel core" on page 5.

Using the core from a used paper roll as a take-up reel core

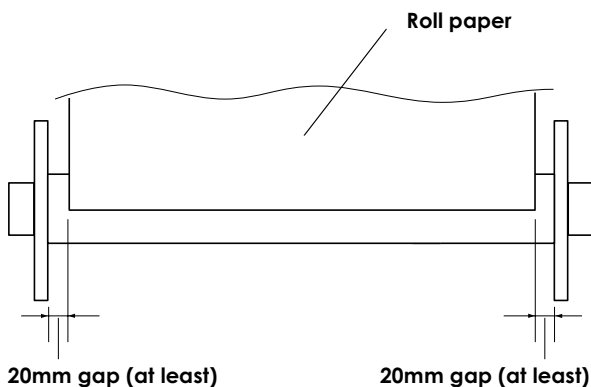
Before you install a used paper roll as the take-up reel core, note and check the following:

- ❑ If the paper roll core is deformed or damaged, it cannot be used as a take-up reel core.
- ❑ Make sure that there is no looseness between the core and the flanges on the drive unit and movable unit.
- ❑ To wind up 36-inch wide roll paper, use a 44-inch wide take-up reel core. To wind up 44-inch wide roll paper, use a 46-inch paper roll core. (The optional Take-Up Reel Core [C815091] for 44-inch wide roll paper is available for purchase. Contact your dealer.)

Diameters of the knobs on the flange are shown below.



Length of the take-up reel core as related to the width of the roll paper is shown below. Keep a gap of at least 20 mm between the flanges and the right and left edges of the roll paper, otherwise the roll paper cannot be wound up with the auto take-up reel unit properly.



The installation of the Auto Take-up Reel Unit is complete. When you use the unit, see the *Reference Guide*.

Specifications

Note:

- ❑ This product is designed for use with printer models P260 (A, B or C)
- ❑ This product conforms to CE marking requirements in accordance with EC Directive 898/336/EEC.

Usable paper width	Max. 1118 mm, min. 210 mm
Paper length	No greater than a 10 cm roll diameter on a 2-inch core, or a 15 cm roll diameter on a 3-inch core.
Max. sheet diameter after take-up	180 mm (paper must not come in contact with the top horizontal strut between the uprights of the base unit)
Flange rotation speed	63 rpm
Power supply	AC 5 V/28 V
Rated current	2 A/2 A
Operating noise	50 dB
Unit weight	4.25 kg
Operating environment (without condensation)	Temperature: 10 to 35°C Humidity: 20 to 80% (without condensation)

EPSON OVERSEAS MARKETING LOCATIONS

Epson America, Inc.
3840 Kilroy Airport Way
Long Beach, CA 90806-2469
Phone: (562) 981-3840
Fax: (562) 290-5220

EPSON UK LTD.
Campus 100, Maylands Avenue,
Hemel Hempstead, Herts,
HP2 7TJ, U.K.
Phone: (+44) 01442 261144
Fax: (+44) 01442 227227

EPSON DEUTSCHLAND GmbH
Zülpicher Straße6,
40549 Düsseldorf Germany
Phone: (0211) 56030
Fax: (0211) 5047787

EPSON FRANCE S.A.
68 bis, rue Marjolin
92300, Levallois-Perret, France
Phone: 33.140.87.37.37
Telex: 610657

EPSON AUSTRALIA PTY. LTD.
70 GIBBES STREET,
CHATSWOOD 2067 NSW.
Phone: 2-9903-9000
Fax: 2-9903-9177

EPSON SINGAPORE PTE. LTD.
No. 1 Temasek Avenue #36-00
Millenia Tower, Singapore 039192
Phone: (065) 33 77 911
Fax: (065) 33 41 185

EPSON HONG KONG LTD.
Rooms 4706-10, 47/F,
China Resources Bldg.,
26 Harbour Road, Wanchai, HongKong
Phone: 2585-4300
Fax: 2827-7083

EPSON TAI WAN TECHNOLOGY &
TRADING LTD.
10F, No. 287 Nanking E.Road, Sec.3,
Taipei, Taiwan, R.O.C.
Phone: (02) 717-7360
Fax: (02) 712-9164

EPSONITALIA S.p.A.
V.le F.lli Casiraghi 427
20099 Sesto S.Giovanni
MI, Italy
Phone: +3902262331
Fax: +39022440750

EPSON IBERICA S.A.
Av. de Roma, 18-26
08290 Cerdanyola del Valles
Barcelona, Spain
Phone: 582.15.00
Fax: 582.15.55

SEIKO EPSON CORPORATION
(Hirooka Office)
80 Harashinden, Hirooka
Shiojiri-shi, Nagano-ken
399-0785 Japan

EPSON PORTUGAL, S.A.
R. do Progresso, 471, 1° Perafita
4460 Matosinhos, Portugal
Phone: (02) 996 14 02
Fax: (02) 996 14 11

EPSON