

L

R4C4860

Manual Cutter Unit Rev. C

COVER1.FM
1/17/01

A5 size

Proof Sign-off:

DAI K.A. Kobayashi T. Morita

K. Nishi

DAI K. Ramsey

EPSON®

Manual Cutter Unit

English.....
Deutsch.....
Français.....
Español.....
Italiano.....
Português.....

XXXXXX-XX
XXX-00

L

R4C4860
Manual Cutter Unit Rev. C

COVER2.FM
1/17/01

A5 size

Proof Sign-off:
DAI K.A. Kobayashi T. Morita
K. Nishi
DAI K. Ramsey

All rights reserved. No part of this publication may be reproduced, stored in a retrieval system, or transmitted in any form or by any means, electronic, mechanical, photocopying, recording, or otherwise, without the prior written permission of SEIKO EPSON CORPORATION. The information contained herein is designed only for use with this EPSON product. EPSON is not responsible for any use of this information as applied to other products.

Neither SEIKO EPSON CORPORATION nor its affiliates shall be liable to the purchaser of this product or third parties for damages, losses, costs, or expenses incurred by purchaser or third parties as a result of: accident, misuse, or abuse of this product or unauthorized modifications, repairs, or alterations to this product, or (excluding the U.S.) failure to strictly comply with SEIKO EPSON CORPORATION's operating and maintenance instructions.

SEIKO EPSON CORPORATION shall not be liable against any damages or problems arising from the use of any options or any consumable products other than those designated as Original EPSON Products or EPSON Approved Products by SEIKO EPSON CORPORATION.

General Notice: Other product names used herein are for identification purposes only and may be trademarks of their respective owners. EPSON disclaims any and all rights in those marks.

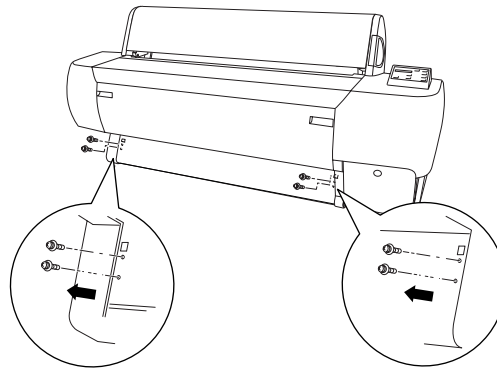
Copyright ©2001 by SEIKO EPSON CORPORATION, Nagano, Japan

English

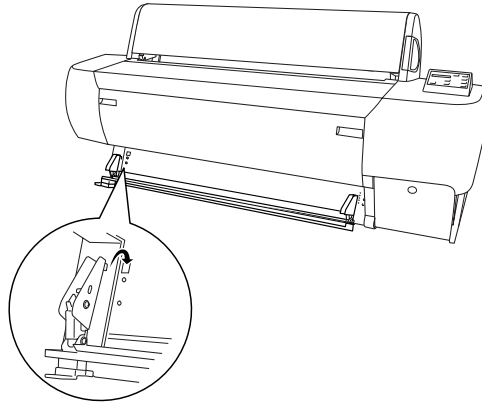
Attaching the Manual Cutter Unit

To attach the manual cutter unit, follow the steps below.

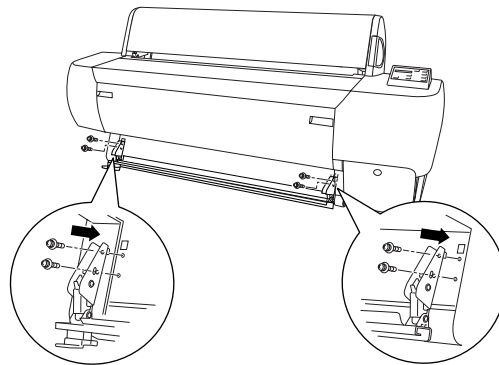
1. Make sure that the printer is turned off.
2. Using the screwdriver, loosen the four screws on the platen and remove them.



3. Hold the cutter unit, and hook its left side to the left square hole on the platen.



4. Similarly, hook the other side to the right square hole on the platen.
5. Secure the cutter unit with the four screws you removed in Step 2.

**Note:**

If you are not using the cutter blade unit, fully slide it to the left so that it will not damage your printing data.

Using the Manual Cutter Unit

To cut thicker media, use the optional manual cutter unit.

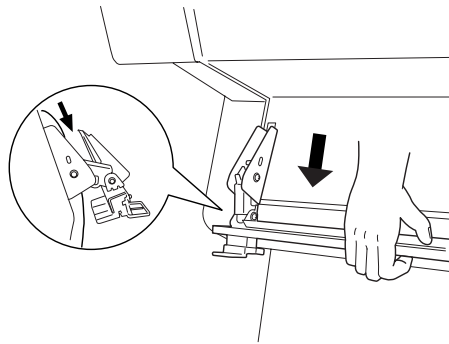
Note:

Do not slide the cutting blade unit if there is no paper to cut. Doing so may shorten the cutter life.

Cutting the media

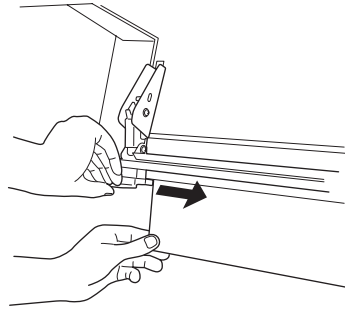
To cut the media, follow the steps below.

1. While lifting the cutter unit, insert the paper edge into the slit between the printer and the cutter unit.



2. Push the cutter unit down until you hear it click.

3. Slide the cutter blade unit all the way to the right while holding the left edge of the paper.



4. Remove the cut paper, and fully slide the cutter blade unit to the left side of the printer.

Note:

Always place the cutter blade unit to the left side of the printer when you are not using it.

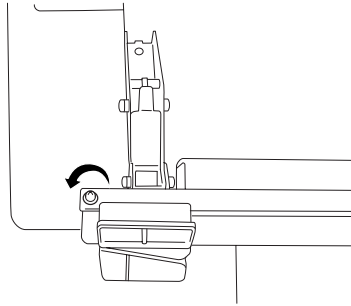
Replacing the cutter blade unit

When the cutter blade becomes dull, follow the steps below to replace the cutter unit.

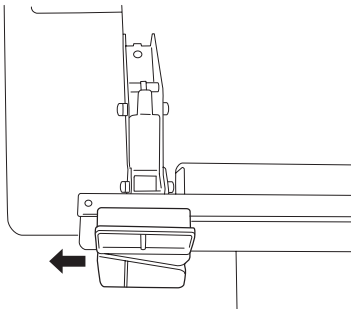
**Warning:**

Never disassemble the cutter blade unit. Doing so may result in bodily injury.

1. Make sure that your printer is turned off.
2. Use a screwdriver to loosen the screw on left side of the cutter unit, then remove the screw.



3. Slide and remove the cutter blade unit from the cutter unit, then attach the new cutter blade unit.

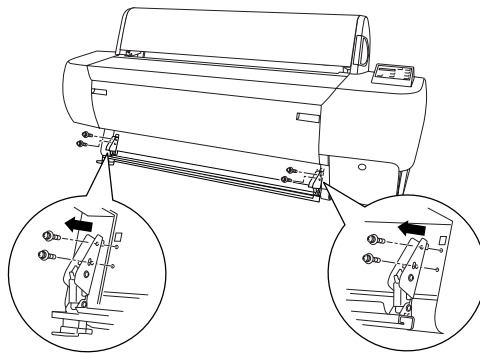


4. Using the screwdriver, fasten the screw you removed in Step 2.

Removing the Manual Cutter Unit

Remove the manual cutter unit when you transport the printer.
Follow the steps below.

1. Using the screw driver, loosen the four screws on the platen.



2. Unhook and remove the cutter from the printer.
3. Secure the four screws you removed in Step 1 on the platen.

L

R4C4860
Manual Cutter Unit Rev. CCOVER3.FM
1/17/01

A5 size

Proof Sign-off:
DAI K.A. Kobayashi T. Morita
K. Nishi
DAI K. Ramsey**EPSON OVERSEAS MARKETING LOCATIONS****Epson America, Inc.**3840 Kilroy Airport Way
Long Beach, CA 90806-2469
Phone: (562) 981-3840
Fax: (562) 290-5220**EPSON UK LTD.**Campus 100, Maylands Avenue,
Hemel Hempstead, Herts,
HP2 7TJ, U.K.
Phone: (+44) 01442 261144
Fax: (+44) 01442 227227**EPSON DEUTSCHLAND GmbH**Zülpicher Straße 6,
40549 Düsseldorf Germany
Phone: (0211) 56030
Fax: (0211) 5047787**EPSON FRANCE S.A.**68 bis, rue Marjolin
92300, Levallois-Perret, France
Phone: 33.1.40.87.37.37
Telex: 610657**EPSON AUSTRALIA PTY. LTD.**70 GIBBES STREET,
CHATSWOOD 2067 NSW.
Phone: 2-9903-9000
Fax: 2-9903-9177**EPSON SINGAPORE PTE. LTD.**No. 1 Temasek Avenue #36-00
Millenia Tower, Singapore 039192
Phone: (065) 33 77 911
Fax: (065) 33 41 185**EPSON HONG KONG LTD.**Rooms 4706-10, 47/F,
China Resources Bldg.,
26 Harbour Road, Wanchai, Hong Kong
Phone: 2585-4300
Fax: 2827-7083**EPSON TAIWAN TECHNOLOGY &
TRADING LTD.**10F, No. 287 Nanking E. Road, Sec. 3,
Taipei, Taiwan, R.O.C.
Phone: (02) 717-7360
Fax: (02) 712-9164**EPSON ITALIA S.p.A.**V.le F.lli Casiraghi 427
20099 Sesto S.Giovanni
MI, Italy
Phone: +3902262331
Fax: +39022440750**EPSON IBERICA S.A.**Av. de Roma, 18-26
08290 Cerdanyola del Valles
Barcelona, Spain
Phone: 582. 15.00
Fax: 582. 15.55**SEIKO EPSON CORPORATION
(Hirooka Office)**80 Harashinden, Hirooka
Shiojiri-shi, Nagano-ken
399-0785 Japan**EPSON PORTUGAL, S.A.**R. do Progresso, 471, 1° Perafita
4460 Matosinhos, Portugal
Phone: (02) 996 14 02
Fax: (02) 996 14 11

2000 August

Proof Sign-off:
tanto name
leader name
editor name

(R-code)
(guide name)
COVER4.FM
1/17/01

Rev. X
A5 size

R

EPSON