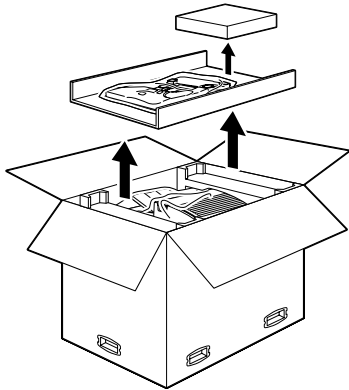


EPSON **AcuLaser**<sup>™</sup>  
**C2000**

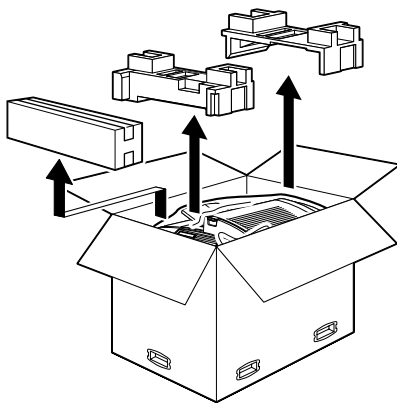
**UNPACKING  
GUIDE**

# 1 Unpacking

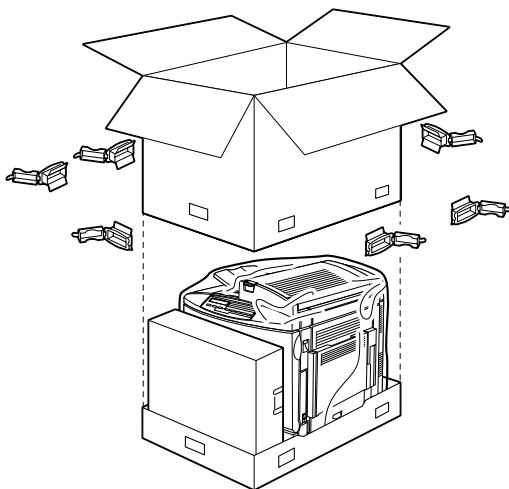
1. Open the top of the large box.
2. Take out the waste toner collector and the document box.



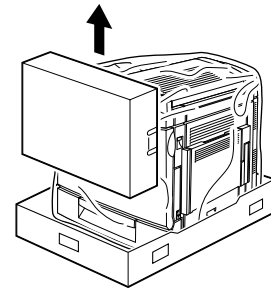
3. Take out the rectangular box from the top of the large box and remove the protective materials.



4. Pull away the six clips from the large box, then lift the upper part of the box and remove it from the bottom part.



5. Carefully take out the remaining box from the side and place it on a stable surface.

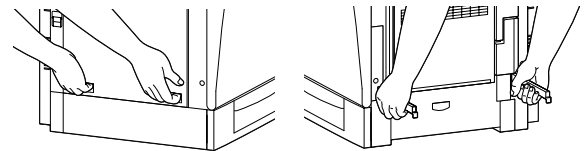


6. Lift up and remove the printer from the box.



### Caution:

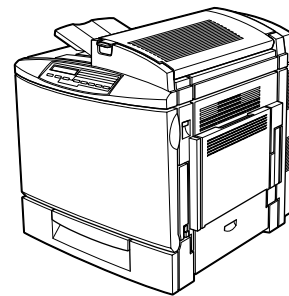
- ❑ The printer weighs about 39.5 kg (87 lb); always lift it with two or more people.
- ❑ Hold the printer at the locations indicated below.



left side

right side

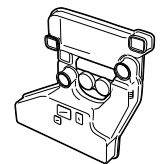
7. Open all the boxes and make sure you have everything shown below.



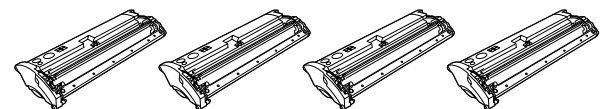
printer



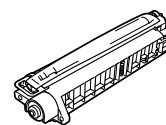
document box



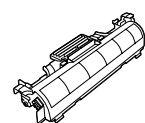
waste toner collector



developer cartridges (Yellow, Magenta, Cyan, and Black)



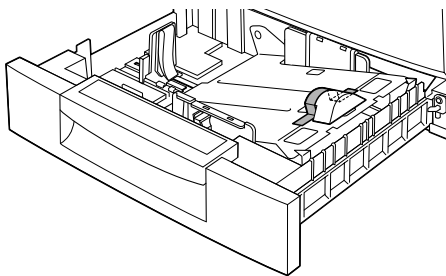
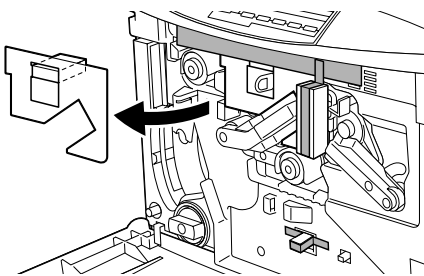
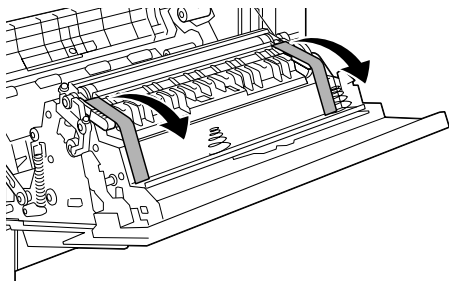
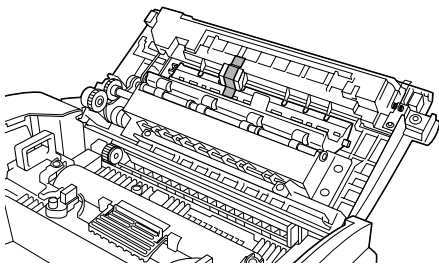
photoconductor unit



fuser oil roll

**Note:**

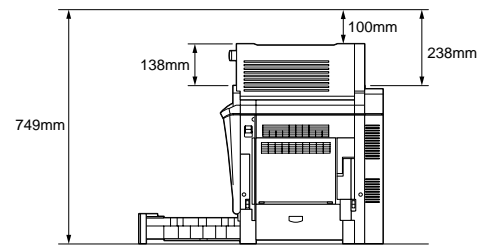
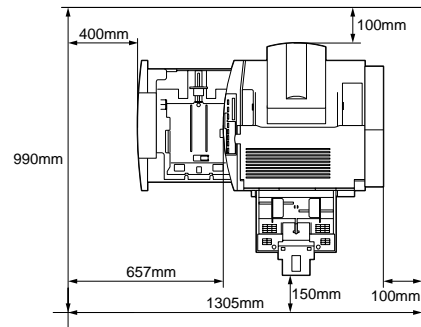
- ❑ If a power cord is included in your area, it is packed either in the large box with the printer, or in the document box, depending on your location.
  - ❑ The shape of the power cord plug varies by country; be sure the plug is of the right shape for your location.
  - ❑ In some locations, a ground wire is included with the printer.
8. Before you start using the printer, you have to remove all the protective materials shown in the illustrations below.



**Caution:**  
Make sure you have removed all protective tape from the various parts of the printer.

## 2 Finding a place for the printer

Allow adequate space for easy operation and maintenance as shown below.



To install any of the following options, you will need the indicated amount of additional space.

The **500-Sheet Paper Cassette Unit** adds 114 mm (4.9 in.) to the bottom of the printer.

The **Duplex Unit** adds 33 mm (1.3 in.) to the right side of the printer.

In addition to space consideration, always heed the following precautions when finding a place to locate the printer:

- ❑ Place the printer where you can easily unplug the power cord.
- ❑ Keep the entire computer and printer system away from potential sources of interference, such as loudspeakers or the base units of cordless telephones.
- ❑ Avoid using an electrical outlet that is controlled by wall switches or automatic timers. Accidental disruption of power can erase valuable information in your computer's and printer's memory.



**Caution:**

- ❑ *Leave adequate room around the printer to allow for sufficient ventilation.*
- ❑ *Avoid locations that are subject to direct sunlight, excessive heat, moisture, or dust.*
- ❑ *Avoid using outlets that other appliances are plugged into.*
- ❑ *Use a grounded outlet that matches the printer's power plug. Do not use an adapter plug.*
- ❑ *Only use an outlet that meets the power requirements for this printer.*