

Where to Find Information

Setup Guide (this manual)

Provides you with information on assembling the printer's parts and installing printer options.

Reference Guide (online guide)

Provides you with detailed information on the printer's functions, maintenance, troubleshooting, and technical specifications.

Administrator's Guide (online guide)

Provides network administrators with information on both the printer driver and network settings.

Online Help

Provides you with detailed information and instructions on the printer software that controls your printer (Online Help will be automatically installed when you install the printer's software).

EPSON®

Laser Printer

EPL-N2050+

All rights reserved. No part of this publication may be reproduced, stored in a retrieval system, or transmitted in any form or by any means, mechanical, photocopying, recording, or otherwise, without the prior written permission of SEIKO EPSON CORPORATION. No patent liability is assumed with respect to the use of the information contained herein. Neither is any liability assumed for damages resulting from the use of the information contained herein.

Neither SEIKO EPSON CORPORATION nor its affiliates shall be liable to the purchaser of this product or third parties for damages, losses, costs, or expenses incurred by purchaser or third parties as a result of: accident, misuse, or abuse of this product or unauthorized modifications, repairs, or alterations to this product, or (excluding the U.S.) failure to strictly comply with SEIKO EPSON CORPORATION's operating and maintenance instructions.

SEIKO EPSON CORPORATION shall not be liable against any damages or problems arising from the use of any options or any consumable products other than those designated as Original EPSON Products or EPSON Approved Products by SEIKO EPSON CORPORATION.

EPSON and EPSON ESC/P are registered trademarks and EPSON ESC/P2 is a trademark of SEIKO EPSON CORPORATION.

Speedo, Fontware, FaceLift, Swiss, and Dutch are trademarks of Bitstream Inc.

CG Times and CG Omega are registered trademarks of Miles, Inc.

Univers is a registered trademark of Linotype AG and/or its subsidiaries.

Antique Olive is a trademark of Fonderie Olive.

Albertus is a trademark of Monotype Corporation plc.

Coronet is a trademark of Ludlow Industries (UK) Ltd.

Arial and Times New Roman are registered trademarks of Monotype Corporation plc.

Times, Helvetica and Palatino are registered trademarks of the Linotype AG and/or its subsidiaries.

ITC Avanti Gothic, ITC Bookman, ITC Zapf Chancery and ITC Zapf Dingbats are registered trademarks of the International Typeface Corporation.

Century SchoolBook is registered trademark of the Kingsley-ATF Type Corporation.

New Century Schoolbook is a trademark of the Linotype AG and/or its subsidiaries.

HP and HP LaserJet are registered trademarks of Hewlett-Packard Company.

Adobe and PostScript are trademarks of Adobe Systems Incorporated, which may be registered in certain jurisdictions.

The PCL6 compatible interpreter is a customized version of IPS-PRINT SIX © developed by Xionics Document Technologies, Inc., a subsidiary of Oak Technology, Inc.

General Notice: Other product names used herein are for identification purposes only and may be trademarks of their respective owners. EPSON disclaims any and all rights in those marks.

Copyright © 2000 by SEIKO EPSON CORPORATION, Nagano, Japan.



Printed on Recycled Paper.

Setup Guide

Contents

1 Safety Instructions

Laser Printer Precautions	1
Important Safety Instructions	4
Warnings, Cautions, and Notes.	5

2 Assembling the Printer

Finding a Place for the Printer.	6
Installing the Imaging Cartridge.	8
About the Power Cord	12

3 Installing the Options

Memory Module	13
Hard Disk Drive.	17
ROM Module	18
Interface.	19
Large Capacity Paper Unit.	21
Duplex Unit	25
Multibin Unit	27
Shifter	31
Envelope Feeder	32

4 Testing and Connecting the Printer

Plugging in the Printer	35
Testing the Printer	36
Loading paper	36
Printing a status sheet	37
Connecting to the Computer	38

5 Installing the Printer Software

About the Printer Software	40
For All Windows Users	40
Installing the printer driver	40
Installing the EPSON Font Manager	42

6 Using the Online Guides

About the Online Guides	44
System Requirements	44
Viewing the Online Guides from the CD-ROM.	45
Installing and Viewing the Online Guide from your Hard Disk	46

7 Safety Information

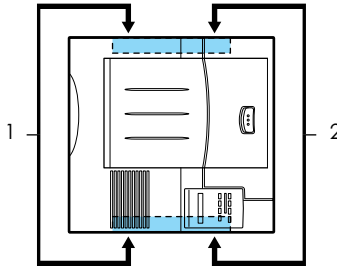
Laser Safety	47
CDRH Regulations.	48
Laser Safety Label.	48
Ozone Safety	49
ENERGY STAR® Compliance	50
For United Kingdom Users.	50

1 Safety Instructions

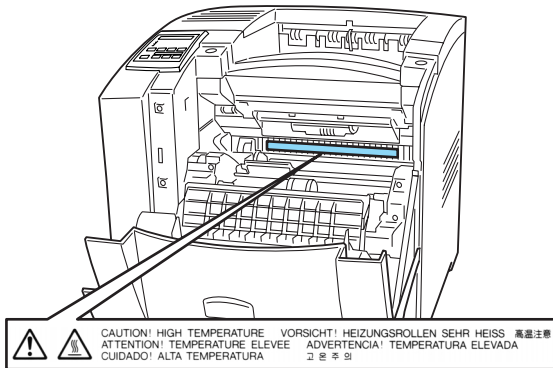
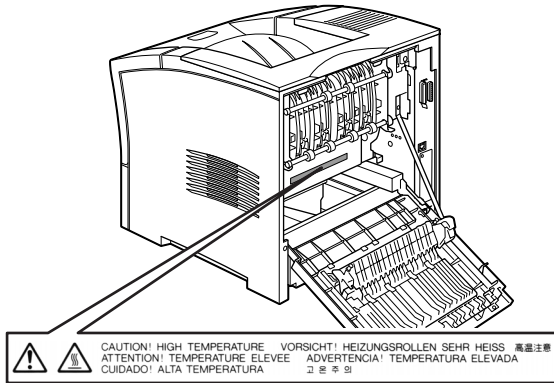
Laser Printer Precautions

This printer uses laser technology. The following precautions apply whenever you use the printer. Even if you are familiar with other types of printers, be sure to follow these precautions carefully to ensure safe, efficient operation.

- ❑ Because the printer weighs approximately 26 kg (57.4 lb) without the Imaging Cartridge, you should not lift or carry it by yourself. Two people should carry it, lifting it by the correct positions as shown below.



- ❑ Do not touch the areas inside the front and rear covers of the printer, which are marked with the caution labels. If the printer has been in use, these areas may be very hot.



(Visible when the imaging cartridge is removed.)

- ❑ Do not touch the components inside the printer unless instructed to do so in this guide.

- ❑ Never force the printer's components into place. Although the printer is designed to be sturdy, rough handling can damage it.
- ❑ Do not attempt to modify or take the cartridge apart. It cannot be refilled.
- ❑ Do not touch the toner and avoid all contact with your eyes.
- ❑ Wait for at least one hour before using the cartridge after moving it from a cool to a warm environment to prevent damage from condensation.



Warning:

Do not dispose of used imaging cartridges in fire, as they can explode and cause injury. Dispose of them according to local regulations.

To get the best print quality, do not store the imaging cartridge in a place subject to direct sunlight, dust, salty air, or corrosive gasses (such as ammonia). Avoid locations subject to high temperatures, humidity, or abrupt changes in temperature or humidity. Also, be sure to keep the consumable components out of the reach of children.

Important Safety Instructions

Read all of these instructions before operating your printer.

- ❑ Follow all warnings and instructions marked on the printer.
- ❑ Unplug the printer from the electrical outlet before cleaning. Use a damp cloth for cleaning and do not use liquid or aerosol cleaners.
- ❑ Do not use this printer near water.
- ❑ Do not place the printer on an unstable surface.
- ❑ Slots and openings, located on the sides of the printer, are provided for ventilation. Keep these slots and openings clear to allow proper ventilation. Avoid placing the printer on a soft surface like a bed or a sofa, or in a small enclosed area, unless proper ventilation is provided.
- ❑ Connect your printer to an electrical outlet that meets the power requirements of this printer. Your printer's power requirements are marked by a label attached to the printer. If you are not sure of the power supply specifications in your area, contact your local power company or consult your dealer.
- ❑ If you are unable to insert the plug into the electrical outlet, contact an electrician.
- ❑ Do not put your printer where the cord will be stepped on.
- ❑ Avoid using electrical outlets that other appliances are plugged into.
- ❑ Never push objects of any kind through cabinet slots as they may touch high voltage points or short out parts which could result in fire or electric shock. Never spill liquid of any kind onto the printer.

- ❑ Unless specifically instructed in this guide, do not attempt to service this product yourself. Opening or removing covers that are marked **Do Not Remove** may expose you to high voltage. Refer all servicing in those compartments to a qualified service representative.
- ❑ Unplug the printer and refer servicing to a qualified service representative under the following conditions:
 - A. If liquid has been spilled onto the printer.
 - B. If the printer has been exposed to rain or water.
 - C. If the printer does not operate normally when the operating instructions are followed. Adjust only those controls that are covered by the operating instructions since improper adjustment of other controls may result in damage and will often require extensive work by a qualified technician to restore the product to normal operation.
 - D. If the printer has been dropped or the cabinet damaged.
 - E. If it exhibits a distinct change in performance.
 - F. When the power cord or plug is damaged or frayed.

Warnings, Cautions, and Notes



Warnings must be followed carefully to avoid bodily injury.



Cautions must be observed to avoid damage to your equipment.

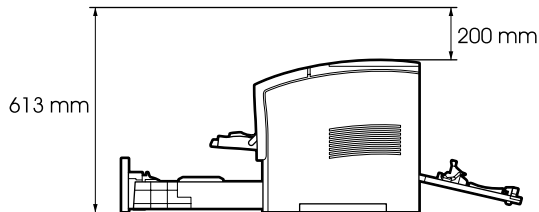
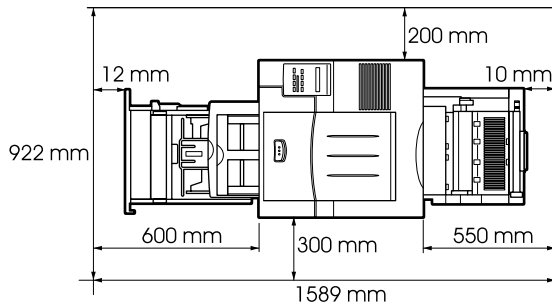
Notes contain important information and useful tips on the operation of your printer.

2

Assembling the Printer

Finding a Place for the Printer

Allow adequate space for easy operation and maintenance as shown below.



To install any of the following options, you will need the indicated amount of additional space.

Large Capacity Paper Unit adds 140 mm (5.5 in.) to the bottom of the printer for each unit.

Multibin Unit adds 360 mm (14.2 in.) to the top of the printer.

Shifter adds 220 mm (8.7 in.) to the top of the printer.



Caution:

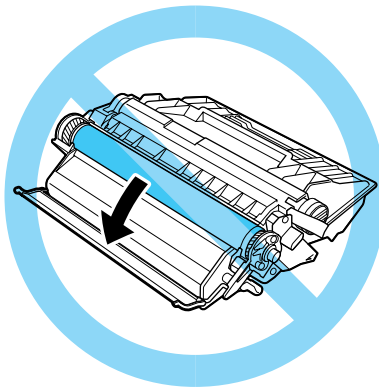
- Place the printer where you can easily unplug the power cord.*
- Leave adequate room around the printer to allow for sufficient ventilation.*
- Avoid locations that are subject to direct sunlight, excessive heat, moisture, or dust.*
- Keep the entire computer and printer system away from potential sources of interference, such as loudspeakers or the base units of cordless telephones.*
- Avoid using an electrical outlet that is controlled by wall switches or automatic timers. Accidental disruption of power can erase valuable information in your computer's and printer's memory.*
- Avoid using outlets that other appliances are plugged into.*
- Use a grounded outlet that matches the printer's power plug. Do not use an adapter plug.*
- Only use an outlet that meets the power requirements for this printer.*

Installing the Imaging Cartridge



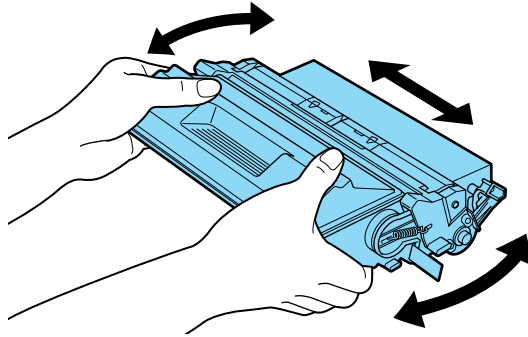
Caution:

- ❑ *Do not turn the imaging cartridge upside down or let it stand on its ends after the protective tape has been removed as this causes the toner to spill.*
- ❑ *Avoid exposing the imaging cartridge to light, and never open the drum's protective cover as this may damage the light sensitive drum. Overexposure of the drum may cause very dark or light areas to appear on printed documents and reduce its functional life.*

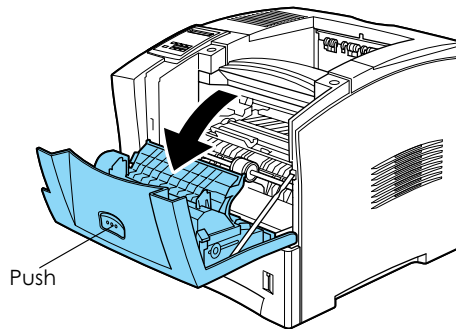


- ❑ *Be sure not to scratch the surface of the drum. When you remove the imaging cartridge from the printer, always set the unit on a clean, smooth surface. Also, avoid touching the drum, since oils from your skin can permanently damage its surface and may affect print quality.*
- ❑ *When handling the cartridge, always set it on a clean, smooth surface.*
- ❑ *We recommend the use of genuine EPSON Imaging Cartridges. Products not manufactured by EPSON may cause damage to your printer not covered by EPSON's warranties.*

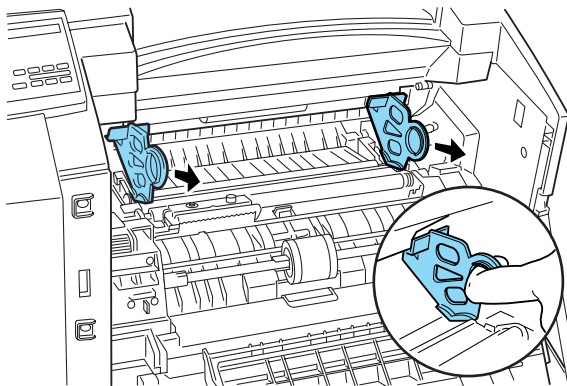
1. While holding the imaging cartridge horizontally, gently shake it a few times to distribute the toner evenly.



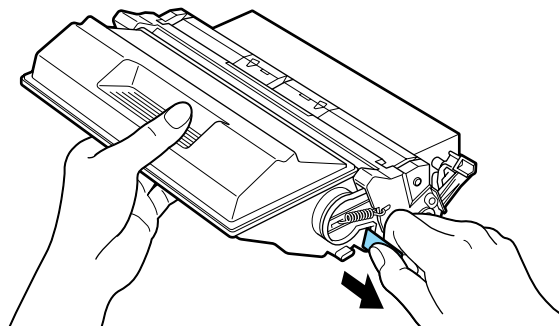
2. Push the button on the front cover of your printer and open it as shown below.



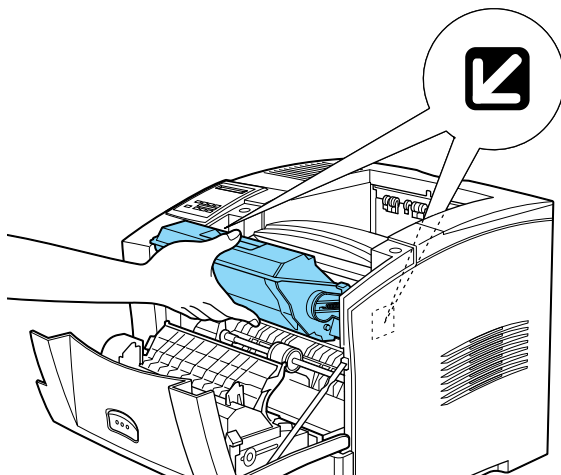
3. Remove the two orange pieces of protective material from both sides of the inside of the printer, as shown below.



4. Pull the protective strip located on the right side of the cartridge all the way out completely with firm, even pressure.



- Note the arrows on the left and right sides inside the printer. Slide the imaging cartridge, in the direction of the arrows, at a slight downward angle into the printer. Push the cartridge into the printer until it is firmly seated in its proper position.



Caution:

To avoid spilling toner, do not tilt the imaging cartridge.

- Close the front cover of the printer by pushing it upward until it clicks into place.



Caution:

Never transport the printer while the imaging cartridge is installed.

About the Power Cord

If a power cord is included in your area, it is packed either in the large box with the printer, or in the document box, depending on your location.

The shape of the power cord plug varies by country. Be sure the plug is of the right shape for your location.

In some locations, a ground wire is included with the printer.

3

Installing the Options

You can install the memory module, ROM module, Hard Disk Drive, Interface Card, Duplex Unit, Multibin Unit, Shifter, and Envelope Feeder into the printer. See the installation instructions for the option you want to install. After installing options, print a status sheet to confirm that they are installed correctly.

Memory Module

By installing a memory module, you can increase printer memory up to 256 MB. You may want to add memory if you are having difficulty printing complex, graphics-intensive pages, using the Duplex Unit, or if you regularly use numerous downloaded fonts.

You can purchase memory modules from various vendors. Be sure the memory module you purchase meets the following requirements.

DRAM type	Synchronous Dynamic RAM Double In-line Memory Module (SD RAM DIMM)
Memory size	16 MB, 32 MB, 64 MB, 128 MB, or 256 MB
Type	168-pin type, 64 bit, with SPD
Access speed	66.66 MHz or higher (15 ns or less)
Height	Less than 40 mm

Note:

If you install an optional memory module, Installed Memory on the status sheet shows the total size including both default 16 MB and the optional module's size. However, if you install one 256 MB-DIMM, the status sheet shows just 256 MB because the maximum memory size for this printer is 256 MB.

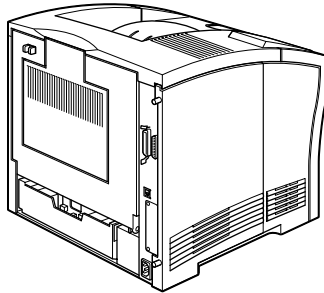


Warning:

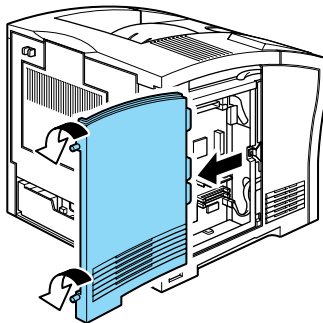
Avoid touching electrical components that are exposed after you have removed the printer's casing. They may be very hot if the printer has been in use.

Follow these steps to install an optional memory module:

1. Make sure the printer is not turned on.
2. Face the left side of the printer.



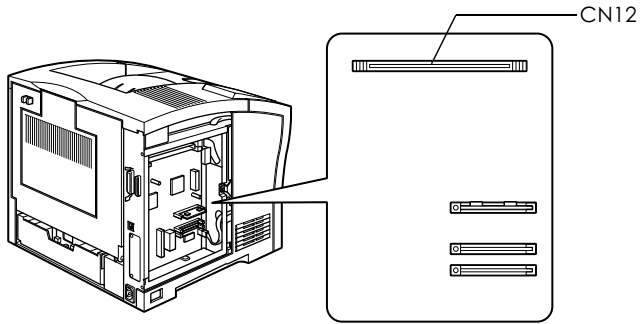
3. Loosen the two retaining screws on the back of the printer and remove the left side casing of the printer.



Note:

The two retaining screws are attached to the printer casing to prevent them from falling off.

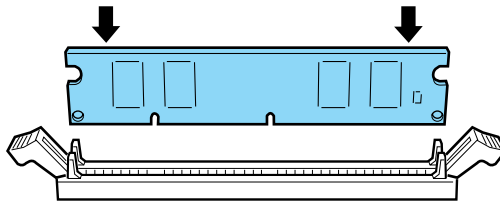
4. Identify the DIMM slot. It's relative position is shown below.



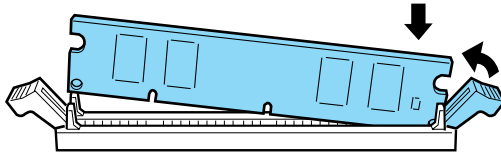
5. Pull the clips on each side of the CN12 outward.



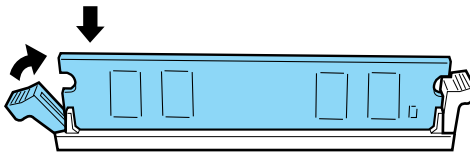
6. Hold the memory module above CN12 in the orientation illustrated below.



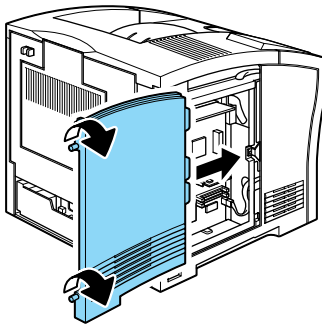
7. Push one end of the memory module into the slot until the clip comes up. Do not apply too much force.



8. Push the other end of the memory module into the slot until the other clip comes up to retain the memory module securely.



9. Replace the casing of the printer and tighten the two retaining screws.



10. Turn on the printer.

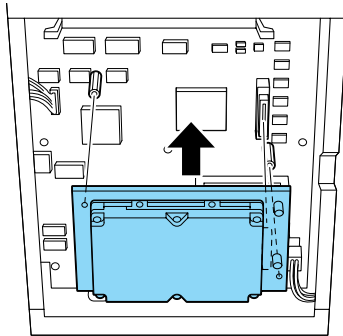
Hard Disk Drive

Follow these steps to install the optional Hard Disk Drive (C82377*):

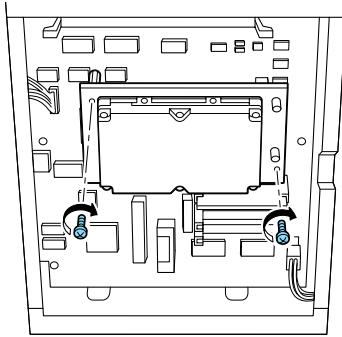
Note:

The asterisk (*) is a substitute for the last digit of the product number, which varies by country.

1. Follow steps 1 through 3 in “Memory Module” on page 14.
2. Align the two pins with the two holes, and the connector with the socket, then press the Hard Disk Drive down until the socket and connector are securely connected.



3. Tighten the two screws with a screwdriver.

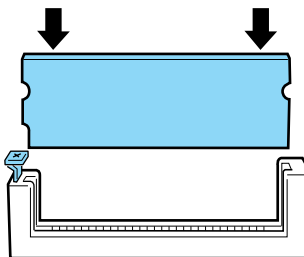


4. Replace the left side casing of the printer and tighten the two retaining screws.
5. Turn on the printer.

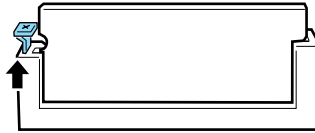
ROM Module

Follow these steps to install the Adobe PostScript 3 ROM module (C83245*):

1. Follow steps 1 through 3 in “Memory Module” on page 14.
2. Identify the ROM slot which is illustrated below.



3. Hold the ROM module oriented as shown, then push the ROM module into the slot evenly until the button comes up.



4. Turn on the printer.

Interface

Follow these steps to install an optional interface card:

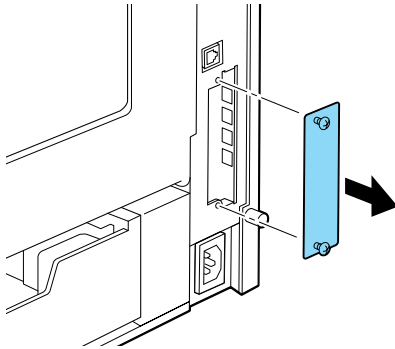


Caution:

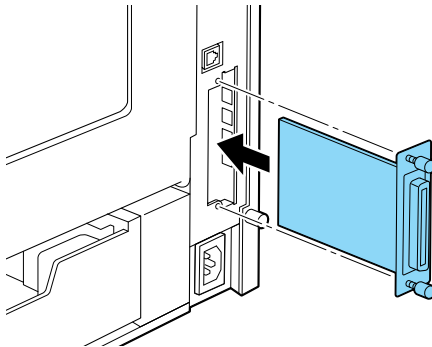
Before you install the interface card, be sure to discharge any static electricity by touching a grounded piece of metal. Otherwise, you may damage static-sensitive components.

1. Make sure the printer is not turned on.
2. Face the rear of the printer.

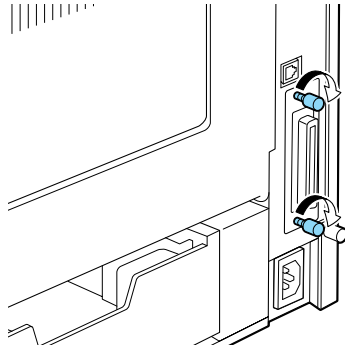
3. Remove the two screws that secure the interface slot cover and remove the cover.



4. With the component side of the optional interface card facing the correct side, slide and push the interface card into the slot as shown below. Push the card firmly to lock it into place.



5. Secure the interface card by fastening the two retaining screws.



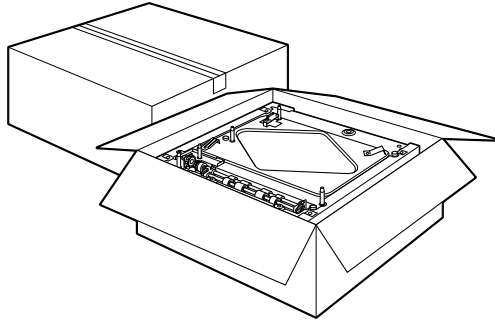
6. Turn on the printer.

Large Capacity Paper Unit

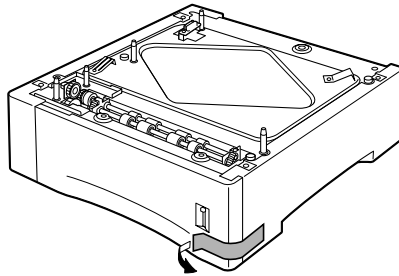
Follow these steps to install the optional Large Capacity Paper Unit:

1. Make sure the printer is not turned on.
2. Unplug the printer's power cord from the electrical outlet.

3. You can install up to two Large Capacity Paper Units to your printer.



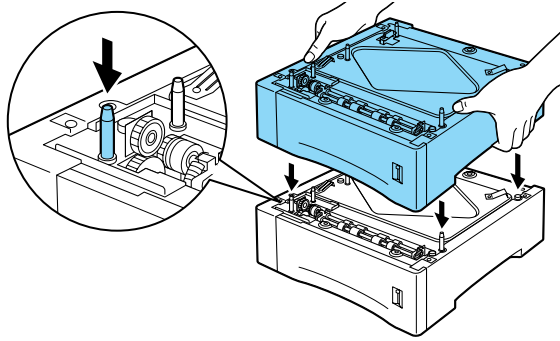
Carefully remove the Large Capacity Paper Unit from its carton and place it on the floor or a flat stable surface. Then, remove the packing tape used to secure the paper cassette in place.



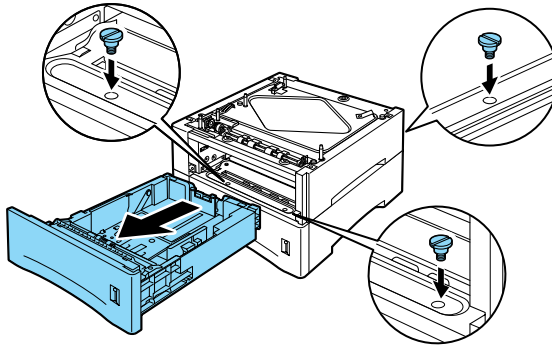
Note:

A plastic bag containing three screws is taped to the top of each unit. Be sure to remove and use these screws to attach it to the printer or another unit.

4. If you are installing two units, remove the other unit from its carton, and carefully lower it onto the bottom unit. Be sure that the pins and electronic connector are properly aligned.

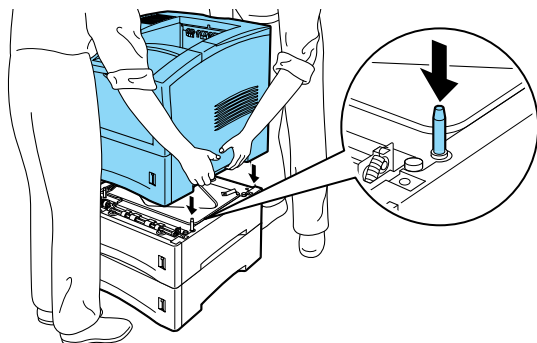


5. Make sure all corners of the upper unit fit securely onto the bottom unit. Remove the paper cassette from the upper unit. Then, insert and tighten the three screws as shown below.



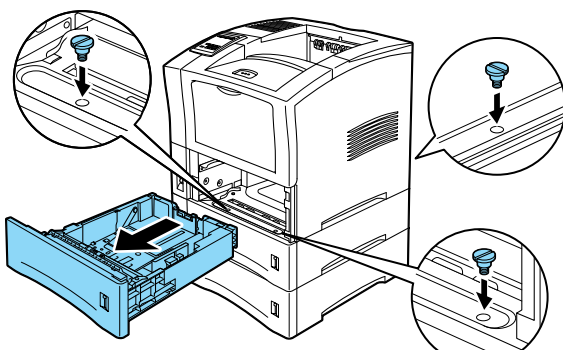
6. Reinstall the paper cassette into the upper unit.

- Lift the printer and carefully place it on the Large Capacity Paper Units. Be sure that the pins and electronic connector are properly aligned.



Caution:

- ❑ *The printer weighs about 26 kg (57.4 lb). Always lift it with two or more people.*
 - ❑ *Grasp the printer at the locations illustrated above.*
- Remove the standard lower cassette from the printer. Insert and tighten the three screws in the locations shown below.



- Reinstall the standard lower cassette into the printer.
- Plug the power cord into an electrical outlet.

11. Turn on the printer.

Duplex Unit

The optional Duplex Unit allows you to automatically print on both sides of the paper.

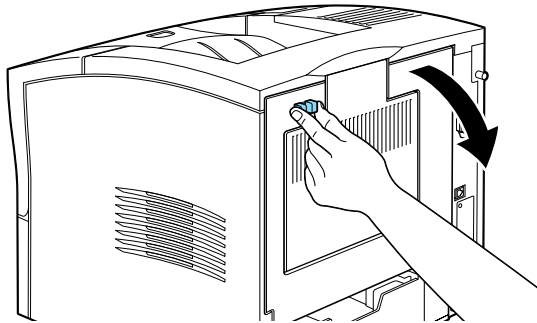
Follow these steps to install the Duplex Unit:



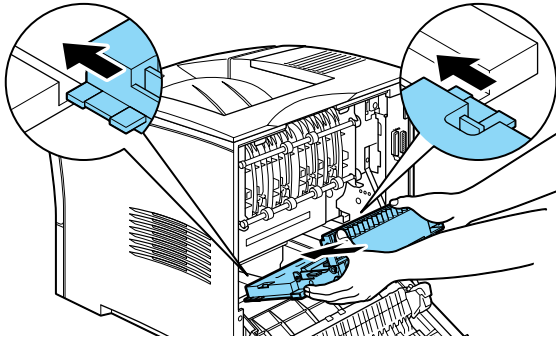
Caution:

Open the inner tray of the Duplex Unit and remove the packing tape; otherwise, the printer will not function properly.

1. Make sure the printer is not turned on.
2. Squeeze together the two adjacent knobs on the printer's rear cover, so that the rear cover comes free. Gently lower the rear cover all the way down.



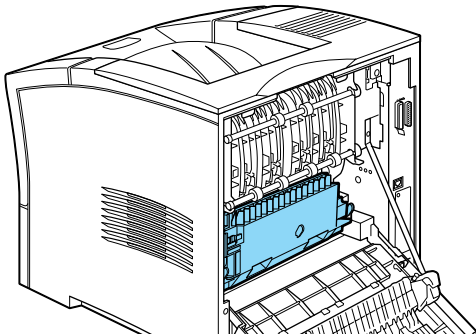
3. While holding the Duplex Unit in both hands, align the edges on the unit with the guide rails in the printer.



Caution:

Do not touch the areas marked by the caution labels inside the rear cover. If the printer has been in use, these areas may be very hot.

4. Slowly tilt the Duplex Unit and slide it into the printer as shown in the illustration below. You do not need to force the unit into the printer, as it is designed to join smoothly.



5. Close the rear cover of the printer.
6. Turn on the printer.

Note:

Keep the packaging materials in case you remove the Duplex Unit in the future.

Multibin Unit

Follow these steps to install the Multibin Unit:

Note:

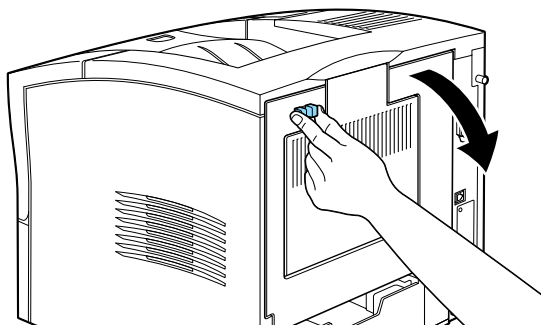
The Multibin Unit cannot be installed at the same time as the optional Shifter. If the Shifter is installed, remove it before installing the Multibin Unit. For more information see "Shifter" in the Reference Guide.

Removing the Printer's Top Cover

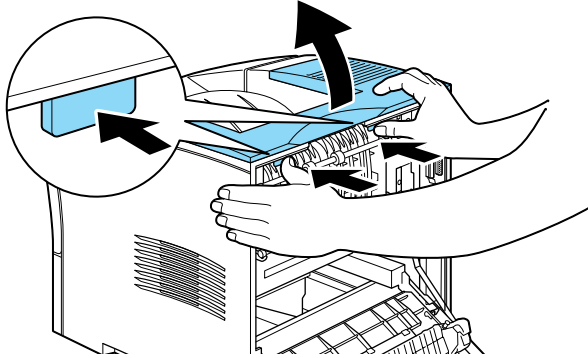
Note:

If you have just removed the Shifter, the top cover is already off. In this case, proceed to "Installing" below.

1. Make sure the printer is not turned on.
2. Squeeze together the two adjacent knobs on the printer's rear cover, so that the rear cover comes free. Gently lower the rear cover all the way down.



3. Reach into the top rear of the printer and press in on the two plastic tabs locking the top cover in place, while at the same time holding onto the cover so it doesn't fall. Lift the top cover off carefully and store it in a safe place.

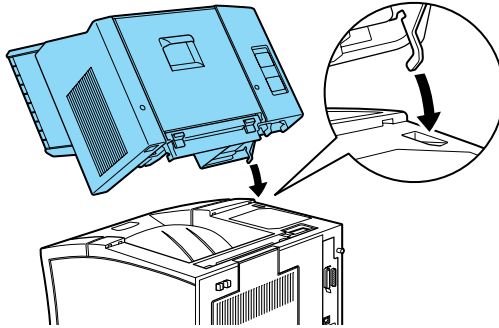


4. Close the rear cover.

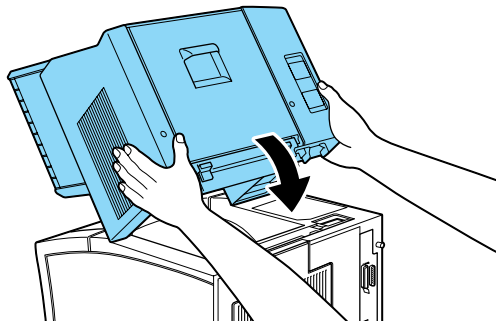
Installing

1. Face the back of the printer. (If necessary, slide the printer around so that you can be in the proper position.)
2. Before lifting the Multibin Unit, study carefully how it fits onto the printer.

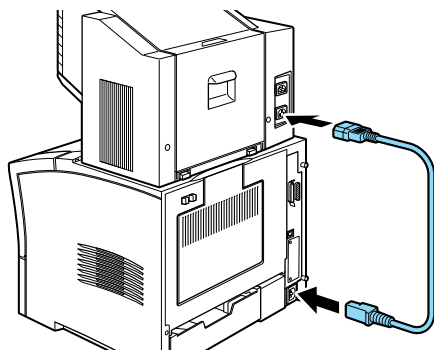
- Carefully lift the Multibin Unit, holding it so that the drawers are facing the same direction as the front of the printer. Lift the unit over the printer, tilt the front end slightly downward, and fit the metal hook into the hook slot.



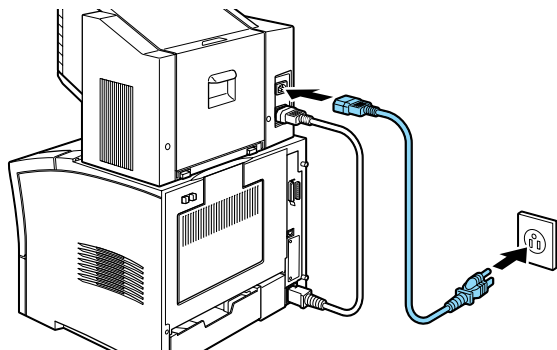
- Note the location of the interface plug on the Multibin Unit and its counterpart on the printer. Lower the rear of the unit into place and make sure the plug is inserted properly into the receptacle on the printer. Slide the unit slightly as necessary so that the plastic tabs snap into the slot along the rear of the printer.



5. Connect one end of the Power Extension Cable to the lower power outlet on the back of the Multibin Unit. Connect the other end of the cable to the power inlet on the printer.



6. Connect the printer's original power cord to the upper power inlet on the Multibin Unit, and plug the other end into an electrical outlet.



7. Turn on the Multibin Unit.
8. Turn on the printer.

Shifter

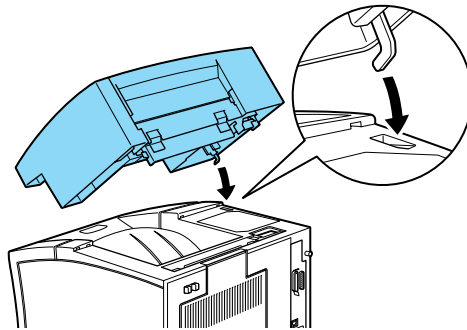
Installing

To install the Shifter, follow the instructions below.

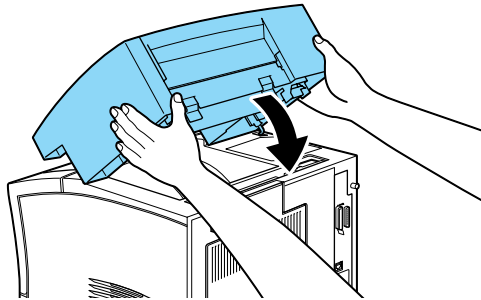
Note:

The Shifter cannot be used in combination with the optional Multibin Unit. If the Multibin Unit is installed, remove it before installing the Shifter. See "Multibin Unit" in the Reference Guide.

1. Follow steps 1 through 4 in "Removing the Printer's Top Cover" on page 27.
2. Lift the Shifter over the printer, tilting the front end slightly downward, and fit the metal hook into the hook slot.



3. Note the location of the interface plug on the Shifter and its counterpart on the printer. Lower the rear of the unit into place and make sure the plug is inserted properly into the receptacle on the printer. Slide the unit slightly as necessary so that the plastic tabs snap into the slot along the rear of the printer.



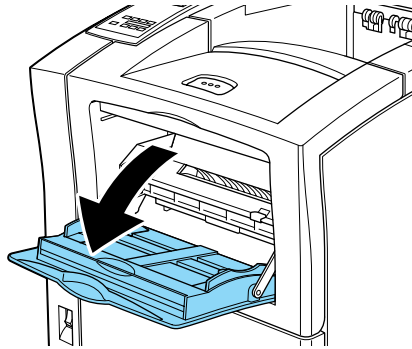
4. Turn on the printer.

Envelope Feeder

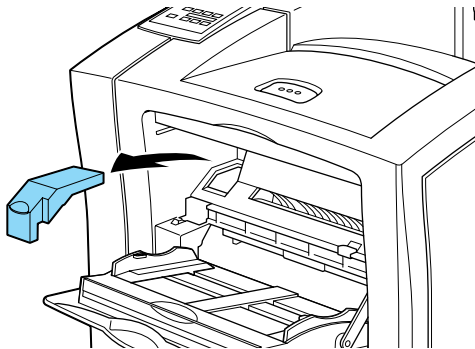
Follow these steps to install the Envelope Feeder:

1. Make sure the printer is not turned on.

2. Open the MP Tray.



3. Remove the small cap from the inner left side of the MP tray as shown below.

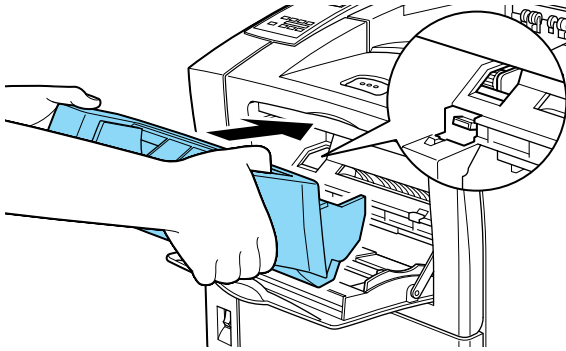


Note:

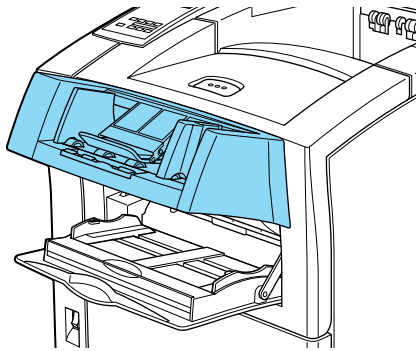
Take care not to lose the small cap, as you need to replace it when you remove the Envelope Feeder.

4. Hold the Envelope Feeder horizontally with both hands.

5. Note the location of the interface plug on the Envelope Feeder and its counterpart on the printer. Be sure that the plug is inserted properly into the receptacle on the printer.



6. Push it straight into position directly above the MP tray.



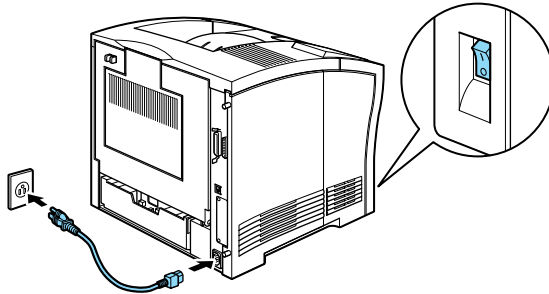
7. Turn on the printer.

4

Testing and Connecting the Printer

Plugging in the Printer

1. Make sure the power switch on the front of the printer is turned off, as shown below.



2. Insert the power cord into the AC inlet at the back of the printer. Then plug the other end into a properly grounded electrical outlet.



Caution:

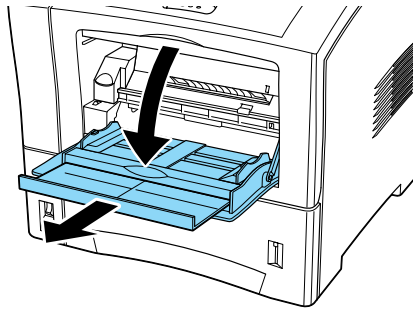
- Avoid using electrical outlets that other appliances are plugged into.
- Only use electrical outlets that meet the power requirements for this printer.

Testing the Printer

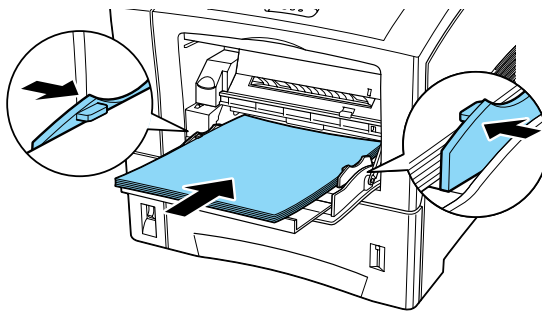
To test whether the printer is set up correctly, print a status sheet. The status sheet contains information about the printer and the installed options, including the current settings. To print a status sheet, follow the steps below.

Loading paper

1. Open the MP tray if it is not open. Pull out the extension tray if necessary.



2. Fan a stack of paper and tap it on a flat surface to even the edges. With the printable surface down, load the stack of paper by inserting it all the way into the tray. Then, slide the paper guides against the sides of the paper.



Printing a status sheet

1. Turn on the printer. The lights and the LCD panel messages on the control panel change in the following order:

All lights come on once and then turn off. The display shows `ROM CHECK`.

The display shows `RAM CHECK XXXMB`, with the actual memory size of your printer (including the memory size of any optional memory module installed) displayed in place of `XXX`.

The display shows `SelfTest`, and then shows `Warning Up`. The On Line light turns on.

After about 65 seconds, the display shows `Ready`.

2. Press the Enter button. The display shows `Status Sheet`.
3. Press the Enter button again. The message on the LCD panel starts flashing and the printer starts printing the status sheet.
4. Check the following points in the printed status sheet:
 - If the printer can print the status sheet clearly.
 - If the information on the options installed to the printer is printed correctly. If you can find the installed option's name under Hardware Configurations, it means that the printer recognizes the installed option properly.

Note:

If you installed an optional memory module, Installed Memory shows the total size including both default 16 MB and the optional module's size. However, if you installed one 256 MB-DIMM, the status sheet shows 256 MB because the maximum memory size for this printer is 256 MB.

If the installed option's name is not listed on the status sheet, make sure the options are connected securely to the printer.

If the printer cannot print the status sheet or you find any problem printing the status sheet, contact your dealer.

Connecting to the Computer

Though this printer is intended to be used on a network, you can use the serial interface or parallel interface to connect the printer directly to a computer.

Note:

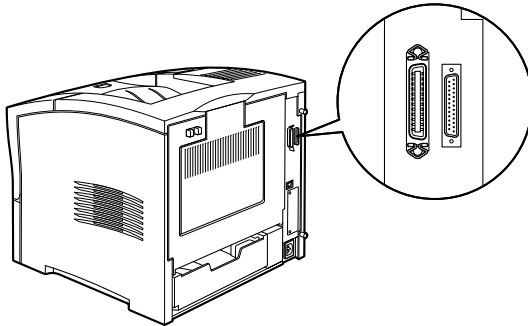
Your printer is also equipped with a slot for an optional interface card. For more information, see "Interface" on page 19.

Follow these steps to connect the printer to your computer using the parallel interface:

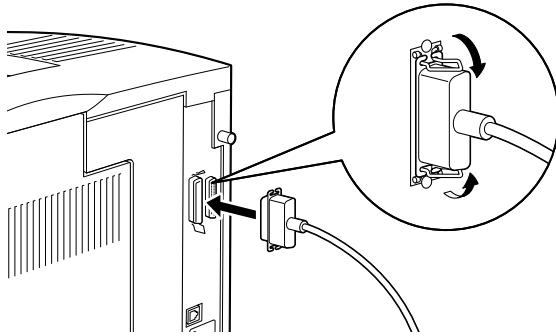
1. Make sure that both the printer and the computer are turned off.
2. Plug the cable connector securely into the printer's parallel interface connector.

Note:

Use only a shielded, twisted-pair parallel cable.



- Secure the connector by pushing the two wire clips together until they lock in place on both sides of the connector.



- Plug the other end of the cable into the computer's parallel interface connector, and fasten it as required.

5 **Installing the Printer Software**

About the Printer Software

The EPSON EPL-N2050+ comes with a printer software CD-ROM that contains all the software you'll need to use your new laser printer, including printer drivers and utility programs.

To install the software, follow the instructions below.

For All Windows Users

Installing the printer driver

The printer driver supports Microsoft® Windows® Me/98/95, and Windows 2000/NT® 4.0.

Follow these steps to install the printer driver:

1. Make sure that the printer is turned off and that Windows is running on your computer.

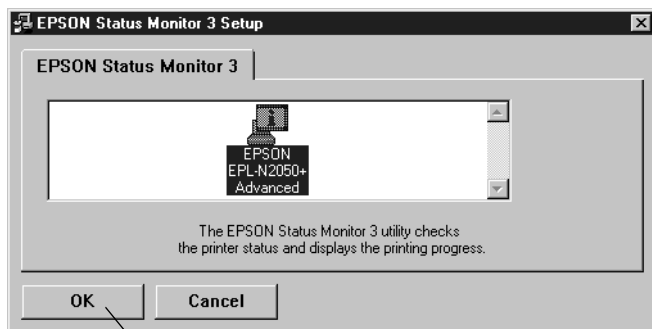
2. Insert the printer software CD-ROM in the CD-ROM drive. The Installation Program screen appears as shown below:



If it does not, double-click the My Computer icon. Click the CD-ROM icon, then select Open from the file menu. Then double-click Epsetup.exe.

3. Double-click Install Printer Driver/Utility. Alternatively, you can install by selecting Install Printer Driver/Utility and then clicking the arrow at the top right.

4. The printer driver setup window appears.



Click here.

5. When the installation is complete, click OK.

Installing the EPSON Font Manager

The EPSON Font Manager provides you with 131 screen fonts and helps you manage your fonts in Microsoft Windows.

Follow these steps to install the EPSON Font Manager:

1. Make sure that the printer is turned off and that Windows is running on your computer.

2. Insert the CD-ROM that comes with your printer into your CD-ROM drive. The Installation Program screen appears as shown below:



If it does not, double-click the My Computer icon. Click the CD-ROM icon, then select Open from the File menu. Then double-click `Epsetup.exe`.

3. Double-click Install EPSON Font Manager. Alternatively, you can install by selecting Install EPSON Font Manager and then clicking the arrow at the top right.
4. Follow the on-screen instructions.
5. When the installation is complete, click OK.

6

Using the Online Guides

About the Online Guides

The following online guides are provided to help you learn more about your printer. Refer to the *Reference Guide* for information on troubleshooting procedures and error messages after installing the online guides into your computer.

Reference Guide	To learn more about your printer, see this guide. It includes detailed information on making printer driver settings, printing on special paper, and troubleshooting. You can view this guide directly from the CD, or install it on your computer and view it from your hard disk.
Administrator's Guide	See this guide for information needed by network administrators. It includes network settings and installation of printer software. View it directly from the CD.

System Requirements

The following tables list the system requirements necessary to use the online guides.

System	Windows Me/98/95, or Windows 2000/NT 4.0
CPU	i486/25 MHz (for Windows 95, NT 4.0) (Pentium or better recommended) i486/66 MHz (for Windows 98) (Pentium or better recommended) Pentium 133 MHz (for Windows 2000) Pentium 150 MHz (for Windows Me)

Memory	16 MB RAM for Windows 98/95, NT 4.0 (32 MB RAM or more recommended) 32 MB RAM for Windows Me and 2000
Hard disk space	3 MB to install the <i>Reference Guide</i>
CD-ROM drive	Double-speed (Quad-speed or faster recommended)
Display	640 × 480 pixel or 800 × 600 pixel resolution, with High Color (16 bit) or True Color (32 bit) setting
Browser	Web browser (Microsoft Internet Explorer 4.0 or later recommended)

Viewing the Online Guides from the CD-ROM

Follow these steps to view the online guides from the CD-ROM:

1. Insert the printer software CD-ROM in the CD-ROM drive.
2. Double-click Online Guide from the Installation Program screen. The online guide dialog box appears. If it does not, double-click the My Computer icon. Click the CD-ROM icon, then select Open from the File menu. Then double-click Epsetup.exe.
3. To open the guide of your choice, click the appropriate View button.

Installing and Viewing the Online Guide from your Hard Disk

To install the online guide on your hard disk, follow steps 1 and 2 in “Viewing the Online Guides from the CD-ROM” on page 45. Then, click Install Reference Guide in the dialog box that appears, and follow the on-screen instructions. When the installation is complete, EPL-N2050+ Guide icon appears in the EPSON folder. Double-click the icon to open the guide.

Note:

If your hard disk does not have enough space to install the Reference Guide, view it directly from the CD.

7 Safety Information

Laser Safety

This printer is certified as a Class 1 laser product under the U.S. Department of Health and Human Services (DHHS) Radiation Performance Standard according to the Radiation Control for Health and Safety Act of 1968. This means that the printer does not produce hazardous laser radiation.

Since radiation emitted by the laser is completely confined within protective housings and external covers, the laser beam cannot escape from the machine during any phase of user operation.

The EPL-N2050+ is a page printer which utilizes a semiconductor laser.

There is no possibility of danger from the laser, provided that the printer is operated according to the instructions in the guides provided.



Warning:

Use of controls or adjustments, or performance of procedures other than those specified in this guide, may result in hazardous radiation exposure.

This is a semiconductor laser. The maximum power of the laser diode is 5 mW with a wavelength of 770 to 795 nm.

CDRH Regulations

The Center for Devices and Radiological Health (CDRH) of the U.S. Food and Drug Administration implemented regulations for laser products on August 2, 1976. Compliance is mandatory for products marketed in the United States. The label shown below indicates compliance with the CDRH regulations and must be attached to laser products marketed in the United States.

This laser product conforms to the applicable requirement of 21 CFR Chapter I, subchapter J. Section 1010, 1040
SEIKO EPSON CORP.
Hirooka Office
80 Hirooka, Shiojiri-shi, Nagano-ken,
Japan
MANUFACTURED:

Laser Safety Label



Warning:

Use of controls, adjustments, or performance of procedures other than those specified in this guide may result in hazardous radiation exposure.

Your printer is a Class 1 laser product as defined in IEC 60825 specifications. The label shown below is attached in countries where required.



Ozone Safety

Ozone emission

Ozone gas is generated by laser printers as a by-product of the printing process. Ozone is produced only when the printer is printing.

Ozone exposure limit

The recommended exposure limit for ozone is 0.02 parts per million (ppm) expressed as an average time-weighted concentration over an eight (8) hour period.

The EPL-N2050+ laser printer generates less than 0.002 ppm for 2 hours of continuous printing in a closed room of approximately 29.8 m³.

Minimize exposure risk

To minimize the risk of exposure to ozone:

- Do not use more than one laser printer in a confined area (see *Ozone exposure limit* above).
- Do not use your printer in conditions of extremely low humidity.
- Do not use your printer in a room with poor ventilation.
- Avoid long, continuous printing in any of the conditions mentioned above.

Printer location

The printer should be located so that the exhaust gases and generated heat are:

- Not blown directly into the user's face
- Vented directly out of the building whenever possible

ENERGY STAR® Compliance

As an ENERGY STAR® Partner, EPSON has determined that this product meets the ENERGY STAR® guidelines for energy efficiency.



The International ENERGY STAR® Office Equipment Program is a voluntary partnership with the computer and office equipment industry to promote the introduction of energy-efficient personal computers, monitors, printers, fax machines, copiers, and scanners, in an effort to reduce air pollution caused by power generation.

For United Kingdom Users

Use of options

Epson (UK) Limited shall not be liable against any damages or problems arising from the use of any options or consumable products other than those designated as original EPSON products or EPSON approved products by Epson (UK) Limited.

Safety information

Warning: *This appliance must be earthed. Refer to the rating plate for voltage and check that the appliance voltage corresponds to the supply voltage.*

Important: *The wires in the main lead fitted to this appliance are colored in accordance with the following code:*

Green and yellow – Earth

Blue – Neutral

Brown – Live

If you need to fit a plug:

As the colors of the mains lead of this appliance may not match any colored markings used to identify the terminals in a plug, please proceed as follows:

- ❑ The green and yellow wire must be connected to the terminal in the plug which is marked by the letter E or the Earth symbol (\perp).
- ❑ The blue wire must be connected to the terminal in the plug marked by the letter N.
- ❑ The brown wire must be connected to the terminal in the plug marked by the letter L.

If damage occurs to the plug, replace the cord set or consult a qualified electrician.

Replace fuses only with a fuse of the correct size and rating.