

# Where to Find Information

## ***Setup Guide (this manual)***

Provides you with information on assembling the printer's parts and installing the printer driver and options.

## ***Reference Guide (PDF manual)***

Provides you with detailed information on the printer's functions, options, maintenance, troubleshooting, and technical specifications.

## ***Online Help***

Provides you with detailed information and instructions on the printer driver and the utility programs that control your printer. Online help will be automatically installed when you install the printer driver and the utility programs.

# EPSON®

Laser Printer

## EPL-5800L

All rights reserved. No part of this publication may be reproduced, stored in a retrieval system, or transmitted in any form or by any means, mechanical, photocopying, recording, or otherwise, without the prior written permission of SEIKO EPSON CORPORATION. No patent liability is assumed with respect to the use of the information contained herein. Neither is any liability assumed for damages resulting from the use of the information contained herein.

Neither SEIKO EPSON CORPORATION nor its affiliates shall be liable to the purchaser of this product or third parties for damages, losses, costs, or expenses incurred by purchaser or third parties as a result of: accident, misuse, or abuse of this product or unauthorized modifications, repairs, or alterations to this product, or (excluding the U.S.) failure to strictly comply with SEIKO EPSON CORPORATION's operating and maintenance instructions.

SEIKO EPSON CORPORATION shall not be liable against any damages or problems arising from the use of any options or any consumable products other than those designated as Original EPSON Products or EPSON Approved Products by SEIKO EPSON CORPORATION.

*General Notice: Other product names used herein are for identification purposes only and may be trademarks of their respective owners. EPSON disclaims any and all rights in those marks.*

Copyright © 2000 by SEIKO EPSON CORPORATION, Nagano, Japan.



Printed on Recycled Paper.

## Setup Guide

---

---

# Contents

---

## **1 Read Before Using the Printer**

---

Warnings, Cautions, and Notes . . . . .	1
Laser Printer Precautions . . . . .	2
Power On/Off Cautions . . . . .	5
Safety Precautions When Using the Printer . . . . .	6

---

## **2 Unpacking and Assembling the Printer**

---

Unpacking the Printer . . . . .	8
Finding a Place for the Printer . . . . .	12
Optional 500-Sheet Lower Paper Cassette Unit . . . . .	14
Installing . . . . .	14
Optional Face-up Tray . . . . .	16
Installing . . . . .	16
Optional Memory Module . . . . .	18
Installing . . . . .	18

---

## **3 Loading Paper**

---

Loading the MP (Multi-Purpose) Tray . . . . .	23
Attaching the MP Tray . . . . .	23
Loading paper . . . . .	24
Loading optional 500-Sheet Lower Paper Cassette Unit . . . . .	26

---

## **4 Connecting the Printer**

---

Plugging in the Printer . . . . .	28
Connecting to the Computer . . . . .	29
Parallel interface for PCs . . . . .	29
Using a USB connection . . . . .	30

## **5 Installing and Using the Printer Driver**

---

For Windows Users . . . . .	31
Ensuring that the USB driver is installed correctly . . . . .	34
For Macintosh Users . . . . .	36
Selecting your printer in the Chooser. . . . .	37
Testing the Printer . . . . .	39
Printing a status sheet from the printer driver . . . . .	39

## **6 Using the Online Guide**

---

About the Online Guide . . . . .	42
System Requirements . . . . .	43
Viewing the Online Guide from the CD-ROM . . . . .	44

## **7 Safety Information**

---

Laser Safety . . . . .	46
For United Kingdom users. . . . .	46
Ozone Safety . . . . .	49
ENERGY STAR Compliance. . . . .	50
For United Kingdom Users. . . . .	50

## **Index**

---

# 1

---

## **Read Before Using the Printer**

---

---

### **Warnings, Cautions, and Notes**



*Warnings must be followed carefully to avoid bodily injury.*



*Cautions must be observed to avoid damage to your equipment.*

*Notes contain important information and useful tips on the operation of your printer.*

---

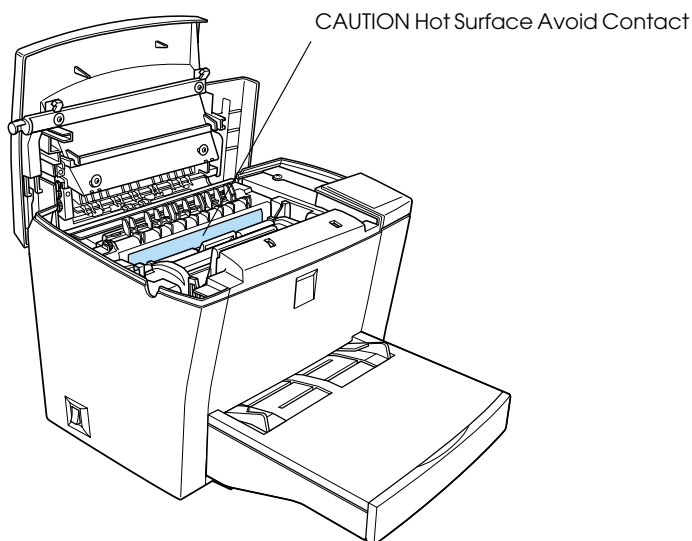
## Laser Printer Precautions

This printer uses laser technology. The following list of precautions applies whenever you open the printer cover. Even if you are familiar with other types of printers, be sure to follow these precautions carefully to ensure safe, trouble-free operation.



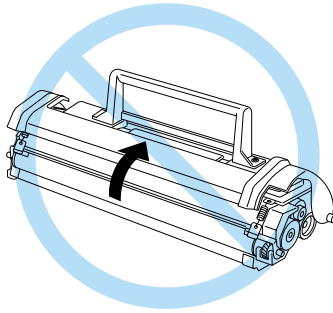
**Warning:**

*Be careful not to touch the fuser, which is marked CAUTION Hot Surface Avoid Contact. If the printer has been in use, the fuser can be very hot.*



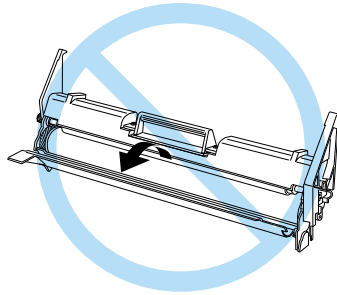
- ❑ Avoid touching the components inside the printer unless instructed to do so in this guide.

- ❑ Never force the printer's components into place. Although the printer is designed to be sturdy, rough handling can damage it.
- ❑ When removing the developer cartridge, never touch the developing roller under the flap; otherwise, print quality will decline.



- ❑ Do not turn the cartridge upside down or stand it on its ends.
- ❑ Always set the cartridge down on a clean, smooth surface.
- ❑ Do not attempt to modify the cartridge or take it apart. It cannot be refilled.
- ❑ Do not touch the toner and avoid all contact with your eyes.

- ❑ When removing or installing a photoconductor unit, protect the light-sensitive drum from exposure to light any longer than necessary. The light-sensitive drum is the green cylinder visible through the openings in the unit. Overexposing the drum might cause abnormally dark or light areas to appear on the printed page and may shorten the service life of the unit.



- ❑ Be careful not to scratch the surface of the drum. When you remove the photoconductor unit from the printer, always place the unit on a clean, smooth surface. Avoid touching the drum, as oils from your skin can permanently damage its surface and affect print quality.
- ❑ To get the best print quality, do not store the photoconductor unit in an area subject to direct sunlight, dust, salty air, or corrosive gases (such as ammonia). Avoid locations subject to extreme or rapid changes in temperature or humidity.
- ❑ Wait for at least one hour before using a developer cartridge or a photoconductor unit after moving it from a cool to a warm environment to prevent damage from condensation.
- ❑ Do not leave jammed paper in the printer. It can cause the printer to overheat.



If you plan to use the printer in Germany, observe the following:

To provide adequate short-circuit protection and over-current protection for this printer, the building installation must be protected by a 10 or 16 amp circuit breaker.

**Note for German-speaking users:**

*Bei Anschluss des Druckers an die Stromversorgung muss sichergestellt werden, dass die Gebäudeinstallation mit einer 10 A- oder 16 A-Sicherung abgesichert ist.*

---

## **Power On/Off Cautions**



**Caution:**

*Do not turn off the printer:*

- For at least 22 seconds after turning on the printer. Wait until the Ready (green) light comes on and is not flashing.*
- While the Ready (green) light is flashing.*
- While printing.*

---

## ***Safety Precautions When Using the Printer***

Read all of these instructions before using your printer.

- ❑ Follow all warnings and instructions marked on the printer.
- ❑ Unplug the printer from the electrical outlet before cleaning. Use a clean, dry, lint-free cloth for cleaning and do not use liquid or aerosol cleaners.
- ❑ Do not use the printer near water.
- ❑ Never spill liquid of any kind onto the printer.
- ❑ Do not place the printer on an unstable surface.
- ❑ Slots and openings, located on the sides and bottom of the printer, are provided for ventilation. Keep these slots and openings clear to allow proper ventilation. Avoid placing the printer on a soft surface like a bed or a sofa, or in a small enclosed area, as this restricts proper ventilation.
- ❑ Never push objects of any kind through the slots as they may touch high voltage points or short out parts that could result in fire or electric shock.
- ❑ Connect your printer to the correct power supply. Your printer's power requirements are indicated on a label attached to the printer. If you are not sure of the power supply specifications in your area, contact your local power company or consult your dealer.
- ❑ If you are unable to insert the plug into the outlet, contact an electrician.
- ❑ Do not place your printer where the power cord can be easily stepped on.

- ❑ When using an extension cord, be careful not to exceed its recommended amperage limit. Also, be sure that all items plugged into the electrical outlet do not exceed a total of 15 amperes.
- ❑ Except as specifically explained in this guide, do not attempt to service this product yourself. Opening or removing covers that are marked **Do Not Remove** may expose you to high voltage or other risks. Refer all servicing in those compartments to a qualified service representative.
- ❑ Be sure to keep the consumable components out of the reach of children.
- ❑ Unplug this printer from the wall outlet and refer servicing to a qualified service representative under the following conditions:
  - A. When the power cord or plug is damaged or frayed.
  - B. If liquid has been spilled into the printer.
  - C. If the printer does not operate normally when the operating instructions are followed.
  - D. If the printer has been dropped or the chassis has been damaged.
  - E. If the printer exhibits a distinct change in performance, indicating a need for service.

**Note:**

*Adjust only those controls that are covered by the operating instructions, as improper adjustment of other controls may result in damage and may require repairs by a qualified service representative.*

## 2

---

# ***Unpacking and Assembling the Printer***

---

This chapter provides you with instructions on how to unpack your printer and remove the protective materials. It also provides you with the information that you need to find a suitable place to locate the printer.

---

## ***Unpacking the Printer***

Follow these steps to unpack your printer.

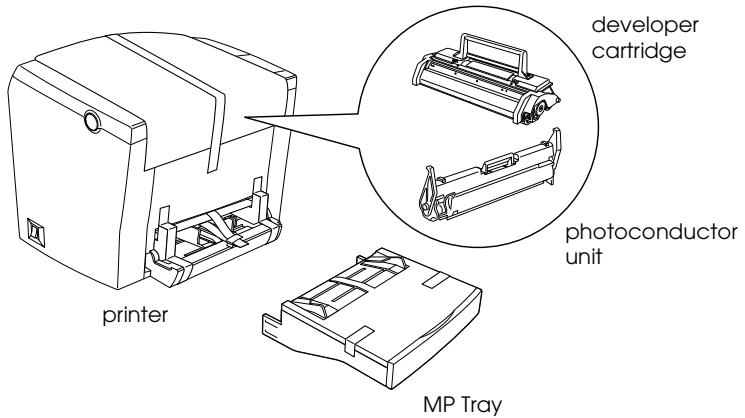
1. Firmly grip the printer and lift it straight from the carton.

***Note:***

*The printer weighs 7.0 kg (15.4 lb), and should be lifted with care.*

2. Set the printer on a flat, stable surface.

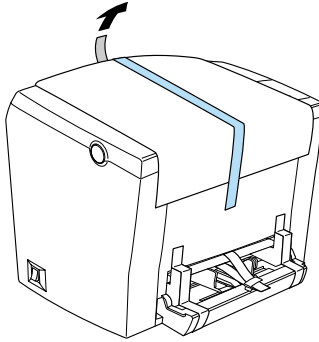
3. Make sure you have all items shown below, plus one CD-ROM containing the printer driver, utility programs, and the Online Guide.



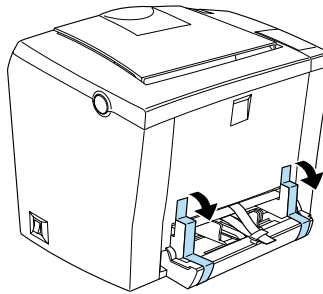
**Note:**

- ❑ *If the AC power cord is included in your area, it is packed with printer. The shape of the AC power cord varies by country. Make sure the right shape is of the right shape for your location.*
- ❑ *The photoconductor unit and the developer cartridge are pre-installed inside the printer.*
- ❑ *Remove the protective tape strips on the MP tray before use.*

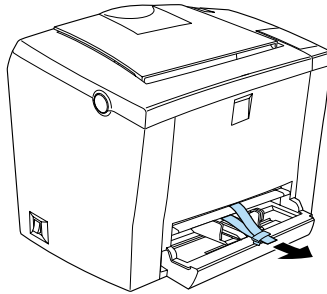
4. Remove the protective tape from the top of the printer, as shown below.



5. Remove the two protective tape strips and the L-shaped plastic foam pieces from the front of the printer.



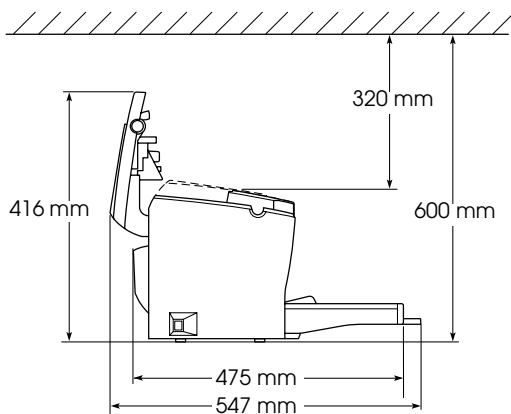
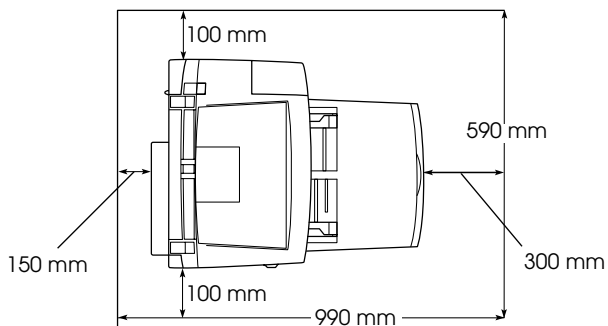
6. Pull the protective plastic strip straight out of the MP tray slot as shown above. It is necessary to pull firmly to remove this protective material.



---

## ***Finding a Place for the Printer***

- ❑ Place your printer close enough to the computer or workstation for the printer cable to reach.
- ❑ Leave adequate room around the printer to allow easy operation and maintenance, and to ensure sufficient ventilation. The diagram below shows the minimum recommended amount of space.



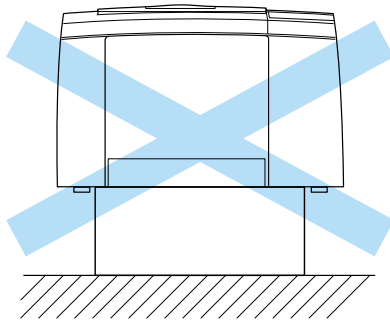


- ❑ If you install the optional 500-Sheet Lower Paper Cassette Unit, you will need an additional 125 mm (4.9 inches) in height. If you install the optional Face-up Tray, you will need an additional 150 mm (5.9 inches) at the back of the printer.



**Caution:**

*Never place the printer on a stand that is narrower than the printer's width as this may damage the printer.*



- ❑ Avoid locations that are subject to direct sunlight, extreme temperatures, moisture, or dust.
- ❑ Place the printer where the power cord can be easily unplugged.
- ❑ Avoid using an electrical outlet that is controlled by wall switches or automatic timers. Accidental disruption of power may erase valuable information in your computer's or printer's memory.
- ❑ Avoid using electrical outlets on the same circuit as large motors or other items that might disturb the power supply.
- ❑ Keep the entire computer and printer system away from potential sources of interference, such as loudspeakers or the base units of cordless telephones.

---

## ***Optional 500-Sheet Lower Paper Cassette Unit***

The optional 500-Sheet Lower Paper Cassette Unit (C81336\*) gives you a second paper source, in addition to the MP tray.

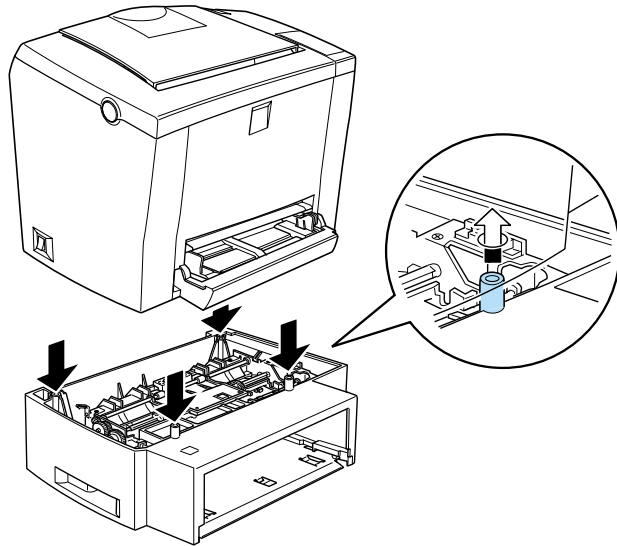
The last digit of the product number, represented by an asterisk (\*), varies by country.

### ***Installing***

Follow the instructions below to install the 500-Sheet Lower Paper Cassette Unit:

1. Remove all the protective materials from the 500-Sheet Lower Paper Cassette Unit.
2. Be sure that the printer's power cord is not plugged in, and that none of the interface cables are connected.

3. Make sure the printer and the 500-Sheet Lower Paper Cassette Unit are facing the same way. Lift the printer and align the pins on the cassette unit with the holes on the bottom of the printer. Then, lower the printer until it rests securely on the cassette unit.



To verify that the 500-Sheet Lower Paper Cassette Unit is correctly installed, print a status sheet. See “Testing the Printer” on page 39.

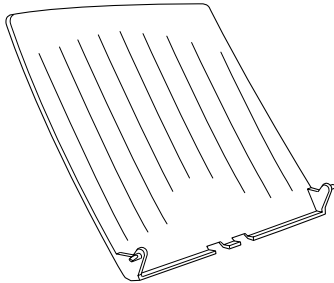
Confirm that the 500-Sheet Lower Paper Cassette Unit is listed under the Paper Source section of the status sheet. If it is not listed on the status sheet, try reinstalling it.

---

## ***Optional Face-up Tray***

The printer normally outputs paper face-down on top of the printer. If you want face-up output, you can install the optional Face-up Tray (C813372).

This tray gives you immediate viewing of your printed output and is recommended for printing on media that require a straight-through paper path, such as labels and transparencies.

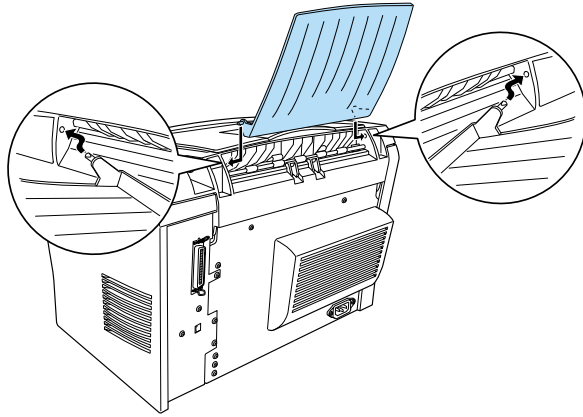


## ***Installing***

Follow the instructions below to attach the Face-up Tray to the printer:

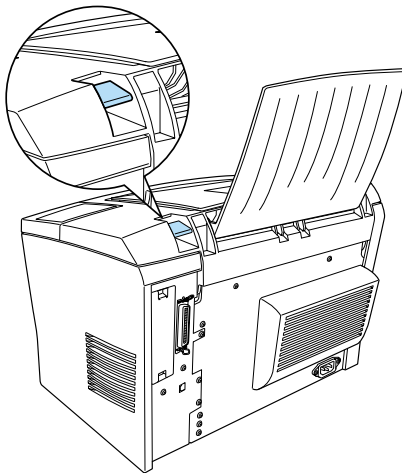
1. Be sure that the printer is not plugged in.

2. Attach the Face-up Tray by sliding the mounting pins into the corresponding holes, one at a time. Do not force both sides in at once.



**Note:**

*The printer is factory set for face-down output. To output onto the optional Face-up Tray, push down the paper path selector at the rear right of the printer, as shown in the illustration below.*



---

## Optional Memory Module

By installing a Single In-line Memory Module (SIMM), you can increase printer memory up to 13 MB (standard 2 MB plus optional 8, 16, 32 MB). You may want to add additional memory if you are having difficulty printing complex or graphics-intensive pages.

**Note:**

*Maximum amount of memory is 13 MB. Even with 16 or 32 MB installed, only 13 MB are accessible.*

You can purchase SIMMs from various vendors. Be sure the SIMM you purchase meets the following requirements:

- 72-pin, EDO type
- Capacity of 8, 16, or 32 MB
- Access speed of 60 ns or less
- Dimension within 108 mm (4.25 inches) × 26 mm (1.02 inches), with a thickness of 10 mm (0.4 inch)

## Installing

Follow the instructions below to install a SIMM into the printer:

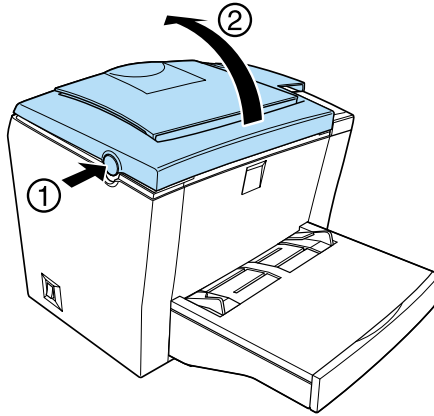


**Warning:**

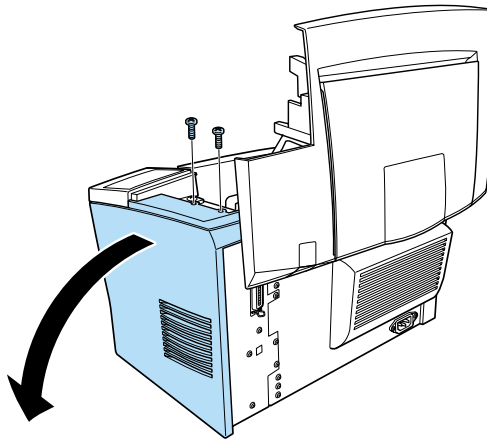
*To avoid electrical shock, do not attempt to install a SIMM unless the printer is turned off.*

1. Make sure that the printer is not plugged in.

2. Press the latch on the left side of the printer, and raise the printer cover.



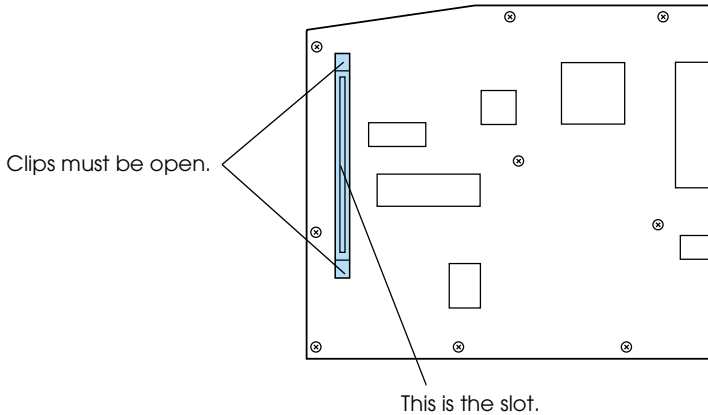
3. Face the right side of the printer, and using a crosshead screwdriver, remove the two screws holding the side cover in place. Pull the side cover off toward you.



**Note:**

*Be careful to avoid dropping screws into the printer when removing them. It may be helpful to use a magnetic screwdriver.*

4. Identify the slot into which the SIMM is to be installed—the long slot with the two clips at the ends. Make sure that the clips are open (leaning away from the slot).



**Warning:**

*Avoid touching the electrical components that are exposed after you remove the side cover. These components may become hot while the printer is in use.*

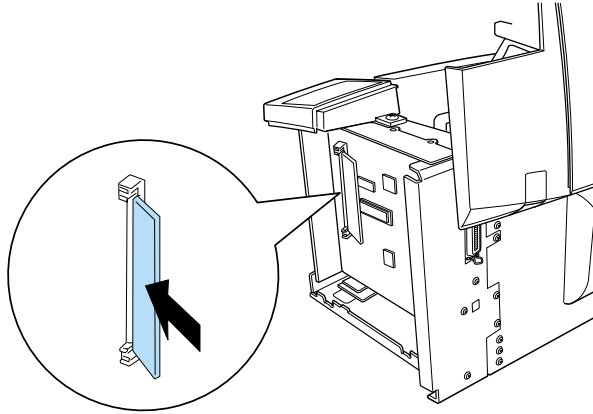


**Caution:**

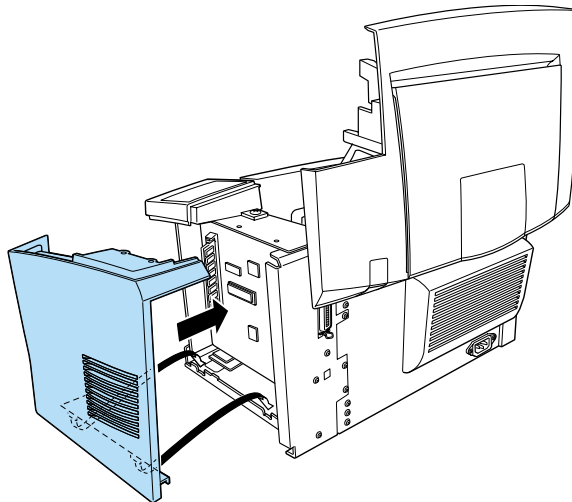
*Before you install the module, be sure to discharge any static electricity by touching a grounded piece of metal; otherwise, you may damage static-sensitive components.*



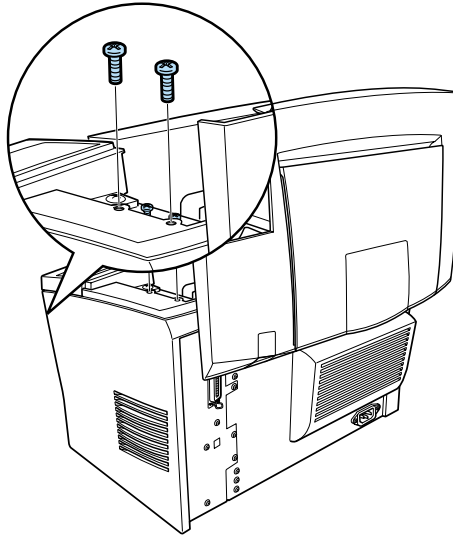
5. Firmly insert the SIMM into the slot at an angle from the right side, as shown below. Hold both sides of the SIMM and turn it to the perpendicular to lock it into place.



6. Set the side cover back into place.



7. Fasten the side cover with the two screws.



8. Gently close the printer cover.

To verify that memory is correctly installed, print a status sheet. See “Testing the Printer” on page 39.

If an incorrect amount of memory is shown on the status sheet, turn off the printer, unplug it, disconnect all interface cables, and then review the steps above to make sure you installed the SIMM correctly. If the amount of memory is still incorrect, contact your dealer or a qualified service representative for assistance.

---

# 3 Loading Paper

---

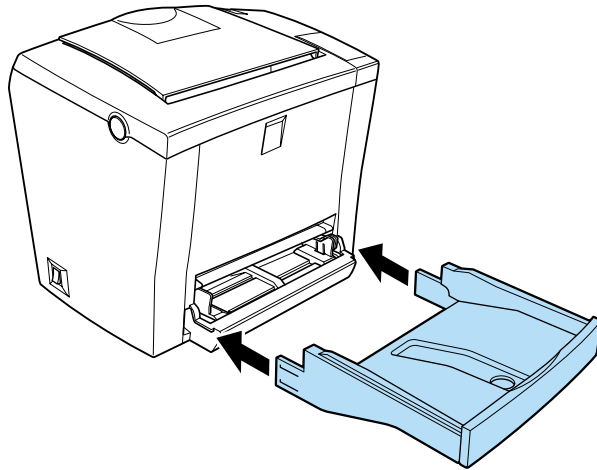
---

## Loading the MP (Multi-Purpose) Tray

---

### Attaching the MP Tray

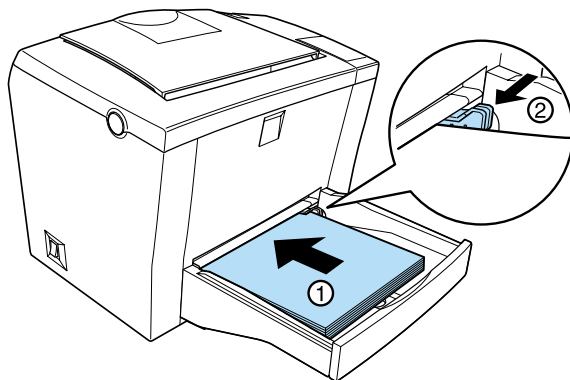
Insert the MP tray into the slot at the front of the printer and push it all the way in.



## Loading paper

Follow the steps below to load paper into the MP tray:

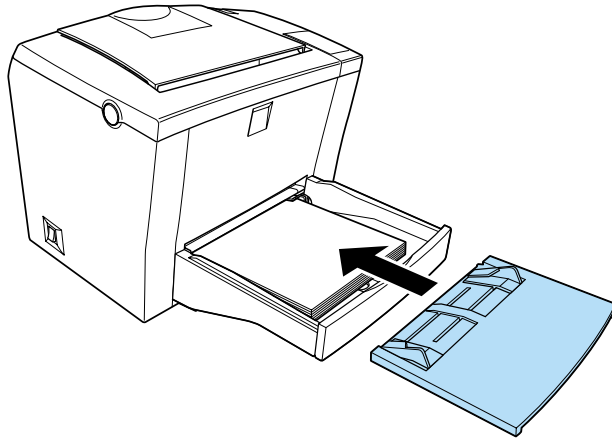
1. Fan a stack of paper (up to 150 sheets), and align the edges by tapping the stack on a flat surface. With the paper's printable side facing upward, place the stack into the tray. Slide the paper guides against the sides of the stack.



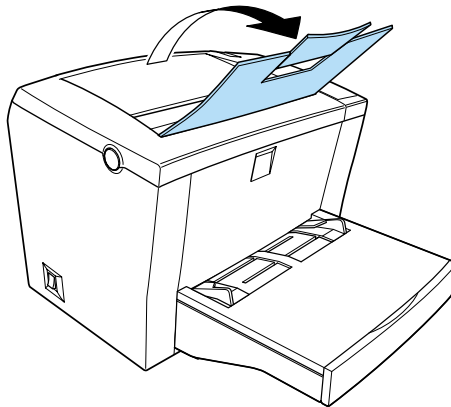
### **Note:**

- ❑ *To widen the distance between the paper guides, press the lever of the right paper guide while sliding it outwards.*
- ❑ *Load letterheads printable side up and with the letterhead portion at the top.*

2. Place the cover on the MP tray to protect against dust and to allow manual-feed printing, as shown below.



3. Raise the output tray and lift up the paper support on the top to prevent paper from falling off the edge.



**Note:**

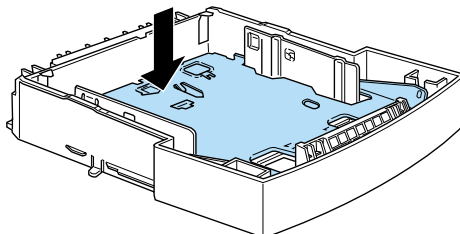
*The printer's default paper size setting is A4 or Letter, depending on the country of purchase. If you are printing on a different paper size than the default, you need to change the printer's Paper Size setting in the printer driver.*

---

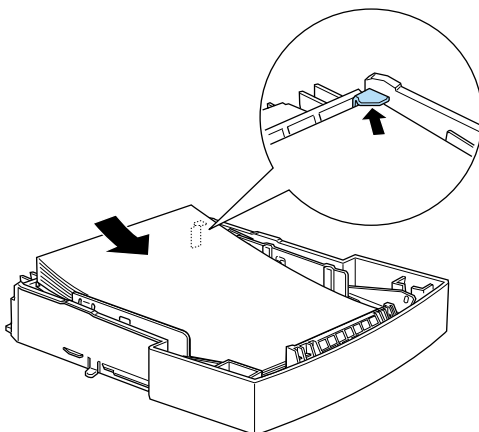
## ***Loading optional 500-Sheet Lower Paper Cassette Unit***

Follow the steps below to load paper into the 500-Sheet Lower Paper Cassette Unit.

1. Pull the paper-tray out from the cassette unit.
2. Press down the plate in the paper-tray until it locks into position.



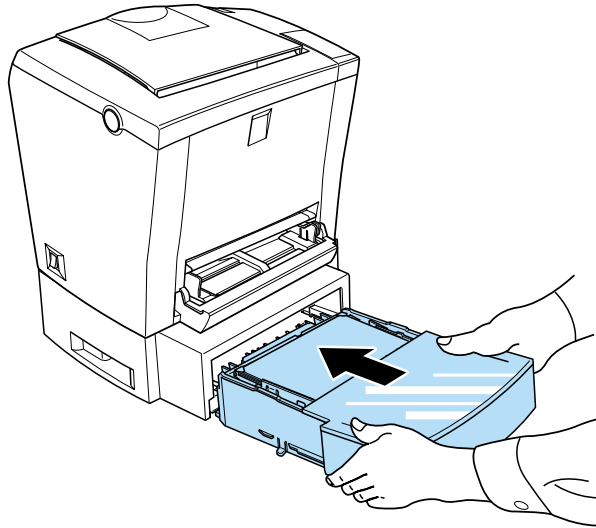
3. Fan a stack of paper and tap it on a flat surface to even the edges. Insert the paper printable-side up into the tray.



***Note:***

*Load letterheads printable side up and with the letterhead portion at the top.*

4. Insert the loaded paper-tray back into the unit.



---

# 4

## Connecting the Printer

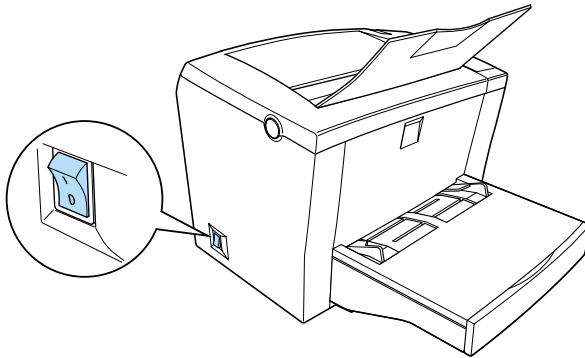
---

---

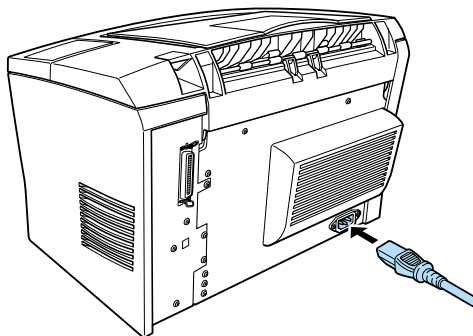
### Plugging in the Printer

Follow the steps below to connect your printer to an electrical outlet:

1. Make sure the printer is turned off. It is off when the ○ side of the power switch on the left side of the printer is pushed in.



2. Insert the power cord into the back of the printer and plug the other end into a properly grounded electrical outlet.





---

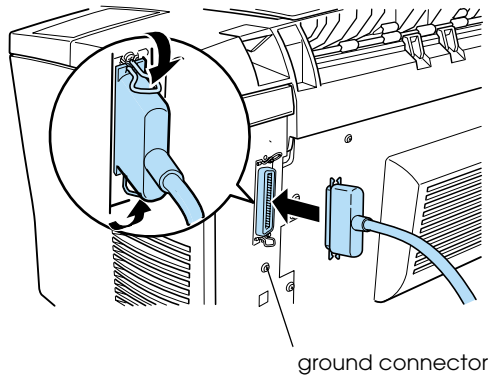
## Connecting to the Computer

Your printer comes with two standard interface connectors, parallel and USB.

### ***Parallel interface for PCs***

Follow the steps below to connect the printer to your computer through the parallel interface. You need a shielded, twisted-pair parallel cable.

1. Make sure that both the printer and the computer are turned off.
2. Plug the cable connector securely into the printer's parallel interface connector. Then squeeze the wire clips together until they lock into place on both sides. If your cable has a ground wire, connect it to the ground connector located below the interface connector.



3. Plug the other end of the cable into the computer's parallel interface connector. If there is a ground wire at the computer end of the cable, connect it to the ground connector at the back of the computer.

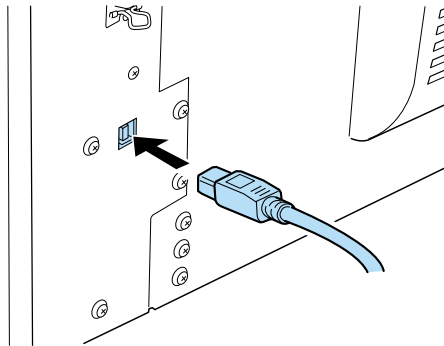
## Using a USB connection

Follow the steps below to connect the printer to your computer through the USB interface. You need a standard shielded USB cable.

**Note:**

*Only Macintosh® and PC systems equipped with a USB connector and running Mac® OS 8.1 (or later) or Microsoft® Windows® Me/98/2000 support the USB interface.*

1. Plug the appropriate end of the cable into the USB port on the back of the printer, as shown below. (The end that fits the printer has a different shape from the end that fits the computer.)



2. Connect the other end of the cable to the computer's USB port.

---

# 5

---

## Installing and Using the Printer Driver

---

The printer driver is provided on the “EPSON EPL-5800L Printer Software” CD-ROM shipped with your printer. It allows you to control your printer with Windows Me/98/95/2000, NT<sup>®</sup> 4.0, or Mac OS 8.1 and later. With it, not only can you make basic printer settings like paper size and orientation, but you also have access to a whole range of other options that will help you optimize the use of your printer.

When you install the printer driver, the EPSON Status Monitor 3 utility is also automatically installed. This utility gives you the option to view printer information such as the remaining amount of toner, and can be set up to notify you of errors when they occur. Refer to the *Reference Guide* for more information on the utility.

---

### For Windows Users

Your computer must meet the following requirements to use the Windows driver included with the printer:

- The computer must be running Microsoft Windows Me, 98, 95, 2000 or NT 4.0
- The computer must have 10 MB of free hard disk space

**Note:**

*If your computer has been upgraded from Windows 95 or 98 to Windows Me, uninstall the current printer driver, then install or reinstall the Windows 98 printer driver.*

Follow the steps below to install the printer driver:

1. Make sure that the printer is off and that Windows is running.

2. Insert the printer software CD-ROM that comes with your printer into your CD-ROM drive. The Installer dialog box appears.

**Note:**

*For floppy disk users, insert the disk into the floppy disk drive, double-click the My Computer icon and then the floppy disk drive icon. Double-click Setup.exe.*

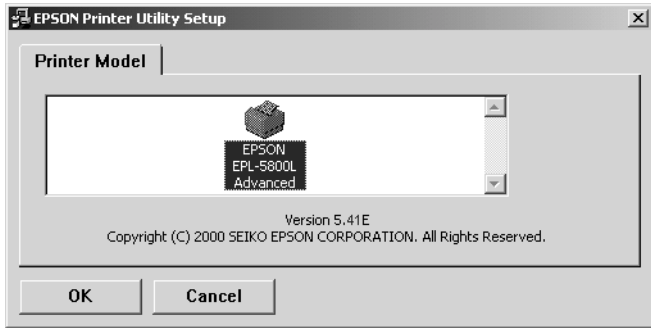
3. In the dialog box that appears, double-click Install Printer Driver/Utility, or select Install Printer Driver/Utility and then click the arrow at the top right.



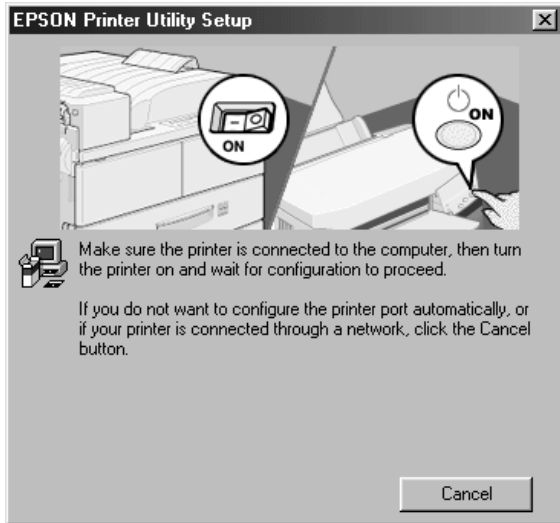
**Note:**

*If the EPSON Installation Program screen does not appear, click Start and choose Run. Then type D:\EPSETUP.EXE and click OK (substitute the appropriate drive letter, if necessary.)*

- In the dialog box that appears, select EPSON EPL-5800L Advanced and click OK. This automatically installs the printer driver.



- If you are running Windows 95 or NT 4.0, proceed to the next step. If you are running Windows Me or 98, follow the on-screen instructions that ask you to turn the printer on. The printer port configuration starts automatically. If you are running Windows 2000 through parallel interface, click the Stop Searching button.



**Note:**

*For printers connected through the USB interface, the USB device driver installation starts automatically at this point. If a dialog box appears asking whether you wish to restart your computer, click Yes. After restarting the computer, you need to check your printer port configuration. See “Ensuring that the USB driver is installed correctly” later in this section.*

6. When installation is complete, click OK.

**Note:**

*Installation time varies depending on your computer system.*

The printer driver is now installed on your computer. The installation program automatically selects this printer as the default printer for Windows applications.

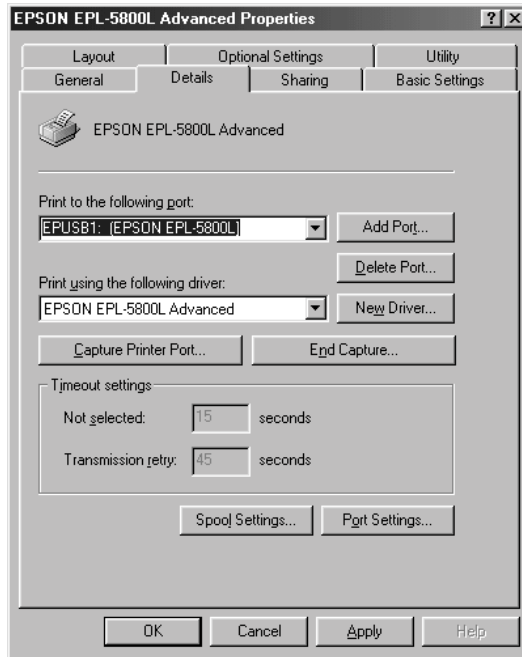
Before using the printer driver, read the README file located on the printer software CD-ROM. For more information on using the printer driver, access online help in the printer driver.

## ***Ensuring that the USB driver is installed correctly***

Use the following procedure to confirm that the USB driver is installed correctly:

1. Click the Start button, point to Settings and click the Printers folder. Make sure the icon for the printer appears in the Printers folder.
2. Click the printer icon, and select Properties from the File menu.

3. In Windows Me or 98, click the Details tab and make sure that EPUSB1: (EPSON EPL-5800L) is displayed in the Print to the following port list box. In Windows 2000, click the Ports tab and make sure that USB001 is selected.



**Note:**

*If the correct port is not displayed, see "Troubleshooting" in the Reference Guide.*

---

## For Macintosh Users

Your computer must meet the following requirements to use the Macintosh driver included with the printer:

- 6 MB of free hard disk space
- Mac OS 8.1 or later (QuickDraw GX cannot be used)\*

\* To turn off QuickDraw GX, first make sure the Caps Lock key is unlocked. Then, while holding down the spacebar, restart your Macintosh. The Extensions Manager will open. Clear the QuickDraw GX check box, then close the Extensions Manager.



**Caution:**

*Turn off all virus protection programs before you install your printer driver.*

**Note:**

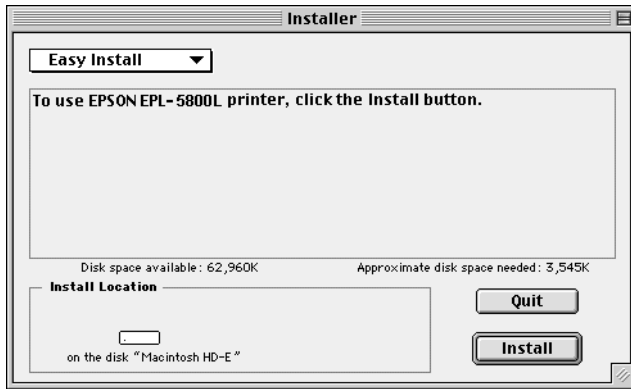
*To connect the printer to the USB interface on your Macintosh, you must purchase a USB cable.*

Follow these steps to install your printer driver:

1. Turn on your Macintosh and insert the printer software CD-ROM into the CD-ROM drive.
2. The CD-ROM window opens automatically.
3. Double-click the Installer icon.



4. The printer driver must be installed on the drive that contains the system software. Make sure that the Install Location box displays the correct drive. Click Install.

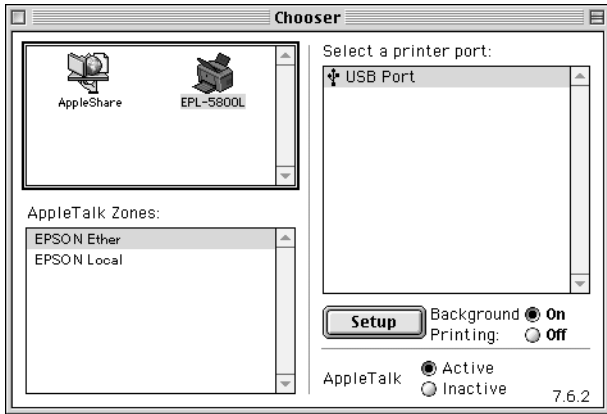


5. Click Continue in the dialog box that appears.
6. When a message appears informing you that the installation has finished, click Restart to complete the installation.

## ***Selecting your printer in the Chooser***

After you have installed the printer driver, you need to open the Chooser to select your printer. This procedure is necessary the first time you use a printer or whenever you want to switch printing to another printer. Your Macintosh will always print using the last printer selected.

1. Select Chooser from the Apple menu. Click your printer's icon and then click the port your printer is connected to.



2. Click the Background Printing radio button to turn background printing on or off.

**Note:**

- Background printing must be turned on for EPSON Status Monitor 3 to manage print jobs.*
  - When background printing is on, you can use your Macintosh while it is preparing a document for printing.*
3. Close the Chooser.

For more information on using the printer driver, access online help in the printer driver.

---

## **Testing the Printer**

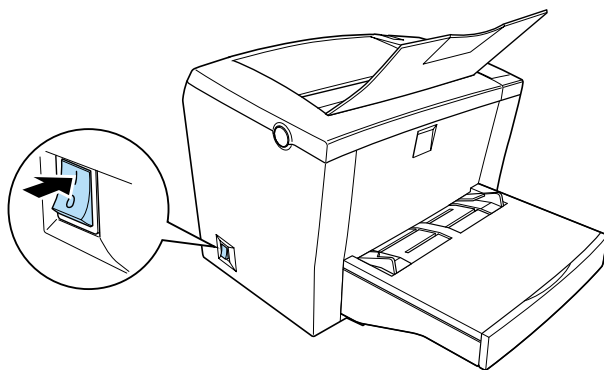
To confirm that the printer driver is installed properly, print a status sheet from the printer driver. The status sheet contains information about the printer, the current settings, and the installed options, if any.

### **Printing a status sheet from the printer driver**

Follow the steps below to print a status sheet from the printer driver:

#### **For Windows users**

1. Make sure that paper is loaded in the printer.
2. Turn on the printer as shown below. It is on when the | side of the power switch is pushed in.



**Note:**

*The Ready indicator light on the panel flashes to show that the printer is warming up.*

3. Make sure that your computer is turned on and that Windows is running.
4. Click Start, point to Settings and click Printers.
5. Right-click the icon of your printer, and click Properties.
6. Click the Optional Settings tab and then click the Status Sheet button. The printer starts printing a status sheet.
7. Check that the printer has printed the status sheet clearly and that any installed options are included on the status sheet.

**Note:**

- ❑ *If you installed an optional memory module 8 MB, “Installed Memory” should show the total memory size (2 MB standard plus the size of the optional module). However, if you installed a 16 or 32 MB optional memory module, the status sheet will only show 13 MB, the maximum accessible memory size.*
- ❑ *If the status sheet does not correctly show your installed options, check the options again to make sure they are connected securely to the printer.*
- ❑ *If you are unable to get the printer to print a correct status sheet, contact your dealer.*

## **For Macintosh users**

Follow the steps below to print a status sheet:

1. Make sure that paper is loaded in the printer.
2. Turn on the printer as shown below. It is on when the | side of the power switch is pushed in.
3. Select Chooser from the Apple menu. Select your printer by clicking its icon, and then the port your printer is connected to. Click the Setup button, and the EPSON Printer Setup dialog box appears.
4. Click the Print Status button, and the printer starts printing a status sheet.
5. Click OK and the dialog box will close.
6. Check that the printer has printed the status sheet clearly and that any installed options are included on the status sheet.

### **Note:**

- If you installed an optional memory module 8 MB, “Installed Memory” should show the total memory size (2 MB standard plus the size of the optional module). However, if you installed a 16 or 32 MB optional memory module, the status sheet will only show 13 MB, the maximum accessible memory size.*
- If the status sheet does not correctly show your installed options, check the options again to make sure they are connected securely to the printer.*
- If you are unable to get the printer to print a correct status sheet, contact your dealer.*

# 6

---

## Using the Online Guide

---

In addition to this guide, your printer comes packaged with an PDF Online Guide on the software CD-ROM. This chapter provides you with information you need to use the Online Guide.

---

### **About the Online Guide**

The PDF *Online Guide*, which is also called the *Reference Guide*, contains detailed information on how to use the printer, installation procedures of optional products, and troubleshooting. You can view this guide directly from the CD-ROM, or copy it into your computer and view it from your hard disk.

**Note for Windows Me users:**

*To view manuals in the PDF format, EPSON has included Adobe® Acrobat® Reader 4.0 on the included CD-ROM. Although the PDF Reference Guide has been checked with Windows Me, Acrobat Reader 4.0 is not guaranteed to be supported on the Windows Me operating system by Adobe Systems Incorporated as of September 12, 2000. If you have problems viewing the PDF Reference Guide, please refer to the Adobe Web site (<http://www.adobe.com>).*

---

## **System Requirements**

### *For Windows*

System	Windows Me, 98, 95, 2000 or NT 4.0 with Service Pack 3 or later
CPU	Pentium® 233 MHz or higher
Memory	64 MB
Hard disk space	10 MB to install Adobe Acrobat Reader 4.0
CD-ROM drive	Double-speed (Quad-speed or faster recommended)
Display	640 × 480 pixel or 800 × 600 pixel resolution, with High Color (16 bit) or True Color (32 bit) setting

### *For Macintosh*

System	MacOS 8.1 or later
Memory	64 MB
Hard disk space	8 MB to install Adobe Acrobat Reader 4.0
CD-ROM drive	Double-speed (Quad-speed or faster recommended)
Display	Color monitor with 640 × 480 pixel resolution or greater (Thousands of colors recommended)

---

## Viewing the Online Guide from the CD-ROM

You can view the *Online Guide* directly from the CD-ROM.

Follow these steps to view the *Online Guide* from the CD-ROM:

### For Windows

1. Insert the printer software CD-ROM into the CD-ROM drive. The Installation Program screen opens automatically.
2. The dialog box pictured below appears. If the dialog box does not appear, click Start and Run. Then type D:\EPSETUP and click OK. (Substitute the appropriate letter for your CD-ROM drive as necessary.) If the dialog box still does not appear, type D:PDF\_FILE\EPMANUAL.EXE.



3. Double-click View PDF Manual and follow the on-screen instructions to view the online guide.

### **Note:**

*If you have an out-date version of Acrobat Reader installed in your computer, the on-screen instructions will guide you through installation of a current version of Acrobat Reader.*



*For Macintosh*

1. Insert the printer software CD-ROM into the CD-ROM drive.
2. Double click PDF Manual folder.
3. Double-click EPL-5800L Reference Guide.pdf if Acrobat Reader is already installed; otherwise, double-click the Adobe Acrobat folder and then the Reader Installer icon to install Acrobat Reader. After installation is complete, double-click EPL-5800L Reference Guide.pdf.

---

# 7 **Safety Information**

---

---

## **Laser Safety**

This printer is certified as a Class 1 laser product under the U.S. Department of Health and Human Services (DHHS) Radiation Performance Standard according to the Radiation Control for Health and Safety Act of 1968. This means that the printer does not produce hazardous laser radiation.

Since radiation emitted by the laser is completely confined within protective housings and external covers, the laser beam cannot escape from the machine during any phase of user operation.

### **For United Kingdom users**

The EPL-5800L is a page printer which utilizes a semiconductor laser.

There is no possibility of danger from the laser, provided that the printer is operated according to the instructions in the guides provided.



**Warning:**

*The use of controls, or the performance of procedures other than those specified in this guide may result in hazardous radiation exposure.*

This is a semiconductor laser. The maximum power of the laser diode is 5 mW, with a wavelength of 770 to 810 nm.

## CDRH regulations

The Center for Devices and Radiological Health (CDRH) of the U.S. Food and Drug Administration implemented regulations for laser products on August 2, 1976. Compliance is mandatory for products marketed in the United States. The label shown below indicates compliance with CDRH regulations and must be attached to laser products marketed in the United States.

This laser product conforms to the applicable requirement of 21 CFR Chapter I, subchapter J.  
SEIKO EPSON CORP.  
Hirooka Office  
80 Hirooka, Shiojiri-shi, Nagano-ken,  
Japan  
MANUFACTURED:

## Laser safety labels



### **Warning:**

*The use of controls, or the performance of procedures other than those specified in this guide may result in hazardous radiation exposure.*

Your printer is a Class 1 laser product as defined in IEC 60825 specifications. The label shown below is attached in countries where required.



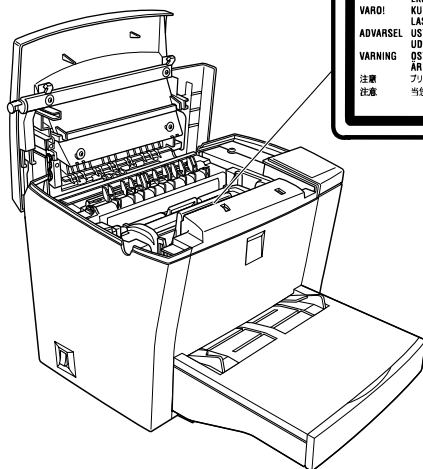
## Internal laser radiation


Maximum Radiation Power: 0.6 mW at laser aperture of the print head unit

Wavelength: 770 to 810 nm

This product employs a Class IIIB Laser Diode that emits an invisible laser beam. The Laser Diode and Scanning Polygon Mirror are incorporated in the print head unit. The print head unit is NOT A FIELD SERVICE ITEM. The print head unit should not be opened under any circumstance.

An additional laser warning label is affixed to the inside of the printer, as shown below.



DANGER	INVISIBLE LASER RADIATION WHEN PRINT HEAD UNIT IS REMOVED AVOID DIRECT EXPOSURE TO BEAM
CAUTION	INVISIBLE LASER RADIATION WHEN PRINT HEAD UNIT IS REMOVED AVOID EXPOSURE TO BEAM
VORSICHT	UNSICHTBARE LASERSTRAHLUNG WENN DRUCKKOPF-EINHEIT ENTFERNT IST NICHT DEM STRAHLEN AUSSETZEN
ADVARSEL	USYNLIG LASERSTRÅLING NÅR SKRIVERHODE ENHETEN ER FJERNET UNNGÅ EKSPONERING FOR STRÅLEN
VARO!	KUN KIRJOTINPÄÄYKSIKÖ ON POISTETTU. OLET ALTIINA NÄKYMÄTTÖMÄLLE LASERSÄTELYLLE. ÄLÄ KATSO SÄTEESEEN
ADVARSEL	USYNLIG LASERSTRÅLING NÅR PRINT-HOVEDET ER FJERNET. UNNGÅ UDSÆTTELSE FOR STRÅLING
VARNING	DSYNLIG LASERSTRÅLING NÅR LASERENHETEN ÄR BORTTAGETN. STRÅLEN ÄR FARLIG
注意	プリントヘッドユニットを開かずとも肉眼でレーザー光が漏れ出す。レーザー光を直接見ると有害です。絶対に覗いてはいけません。
注意	当您取下印字机机头时，会出现肉眼看不见的激光射线。请不要直接观察激光射线。
	4192 E146350SP 

---

## **Ozone Safety**

### *Ozone emission*

Ozone gas is generated by laser printers as a by-product of the printing process. Ozone is produced only when the printer is printing.

### *Ozone exposure limit*

The recommended exposure limit for ozone is 0.1 parts per million (ppm) expressed as an average time-weighted concentration over an eight (8) hour period.

The EPL-5800L laser printer generates less than 0.1 ppm for 8 hours of continuous printing.

### *Minimize exposure risk*

To minimize the risk of exposure to ozone:

- Do not use more than one laser printer in a confined area (see “Ozone exposure limit” above)
- Do not use your printer in conditions of extremely low humidity
- Do not use your printer in a room with poor ventilation
- Avoid long, continuous printing in any of the conditions mentioned above

### *Printer location*

The printer should be located so that the exhaust gases and generated heat are:

- Not blown directly into the user’s face
- Vented directly out of the building whenever possible

---

## ENERGY STAR Compliance



As an International ENERGY STAR Partner, EPSON has determined that this product meets the International ENERGY STAR Program guidelines for energy efficiency.

The International ENERGY STAR Office Equipment Program is a voluntary partnership with the computer and office equipment industry to promote the introduction of energy-efficient personal computers, monitors, printers, fax machines, copiers, and scanners, in an effort to reduce air pollution caused by power generation.

---

## For United Kingdom Users

### *Use of options*

Epson (UK) Limited shall not be liable for any damages or problems arising from the use of any options or consumable products other than those designated as original EPSON products or EPSON-approved products by Epson (UK) Limited.

### *Safety information*



**Warning:**

*This appliance must be earthed. Refer to the rating plate for voltage and check that the appliance voltage corresponds to the supply voltage.*

**Important:** *The wires in the main lead fitted to this appliance are colored in accordance with the following code:*

*Green and yellow—Earth*

*Blue—Neutral*

*Brown—Live*

If you need to fit a plug:

As the colors of the main lead of this appliance may not match any colored markings used to identify the terminals in a plug, please proceed as follows:

- ❑ The green and yellow wire must be connected to the terminal in the plug which is marked with the letter *E* or the Earth symbol ( $\perp$ ).
- ❑ The blue wire must be connected to the terminal in the plug marked with the letter *N*.
- ❑ The brown wire must be connected to the terminal in the plug marked with the letter *L*.

If damage occurs to the plug, replace the cord set or consult a qualified electrician.

Replace fuses only with a fuse of the correct size and rating.