

Where to Find Information

Setup Guide

Provides you with information on assembling the printer and installing the printer software.

Reference Guide (this manual)

Provides you with detailed information on the printer's functions, optional products, maintenance, troubleshooting, and technical specifications.

Administrator's Guide (on CD-ROM)

Provides network administrators with information on both the printer driver and network settings.

Quick Reference (PDF guide on CD-ROM)

Provides you with a list of LCD panel messages, solutions for paper jam problems, and other information about your printer you may need to refer to on a regular basis. We recommend printing this guide and keeping it near the printer.

Color Laser Printer

EPSON AcuLaser™ C4000

All rights reserved. No part of this publication may be reproduced, stored in a retrieval system, or transmitted in any form or by any means, mechanical, photocopying, recording, or otherwise, without the prior written permission of SEIKO EPSON CORPORATION. No patent liability is assumed with respect to the use of the information contained herein. Neither is any liability assumed for damages resulting from the use of the information contained herein.

Neither SEIKO EPSON CORPORATION nor its affiliates shall be liable to the purchaser of this product or third parties for damages, losses, costs, or expenses incurred by purchaser or third parties as a result of: accident, misuse, or abuse of this product or unauthorized modifications, repairs, or alterations to this product, or (excluding the U.S.) failure to strictly comply with SEIKO EPSON CORPORATION's operating and maintenance instructions. SEIKO EPSON CORPORATION shall not be liable against any damages or problems arising from the use of any options or any consumable products other than those designated as Original EPSON Products or EPSON Approved Products by SEIKO EPSON CORPORATION.

EPSON and EPSON ESC/P are registered trademarks and EPSON ESC/P 2 is a trademark of SEIKO EPSON CORPORATION.

Speedo, Fontware, FaceLift, Swiss, and Dutch are trademarks of Bitstream Inc.

CG Times and CG Omega are registered trademarks of Miles, Inc.

Univers is a registered trademark of Linotype AG and/or its subsidiaries.

Antique Olive is a trademark of Fonderie Olive.

Albertus is a trademark of Monotype Corporation plc.

Coronet is a trademark of Ludlow Industries (UK) Ltd.

Arial and Times New Roman are registered trademarks of Monotype Corporation plc.

Dutch and Swiss are trademarks of Bitstream Inc.

Times, Helvetica and Palatino are registered trademarks of the Linotype AG and/or its subsidiaries.

ITC Avant Garde Gothic, ITC Bookman, ITC Zapf Chancery and ITC Zapf Dingbats are registered trademarks of the International Typeface Corporation.

Century SchoolBook is registered trademark of the Kingsley-ATF Type Corporation.

New Century Schoolbook is a trademark of the Linotype AG and/or its subsidiaries.

HP and HP LaserJet are registered trademarks of Hewlett-Packard Company.

Adobe and PostScript are trademarks of Adobe Systems Incorporated, which may be registered in certain jurisdictions.

NEST Office Kit Copyright[®] 1996, Novell, Inc. All Rights Reserved.

General Notice: Other product names used herein are for identification purposes only and may be trademarks of their respective owners. EPSON disclaims any and all rights in those marks.

Copyright © 2002 by SEIKO EPSON CORPORATION, Nagano, Japan



Printed on Recycled Paper.

Reference Guide

Contents

Warnings, Cautions, and Notes	1
Safety Precautions	1
Important Safety Instructions	4
Power On/Off Cautions	4

Chapter 1 *Getting to Know Your Printer*

Printer Parts	8
Options and Consumable Products	13
Options	13
Consumable products	14
About Your Printer	15
High-speed tandem printing engine	15
Duplex printing	15
Reserve Job function	15
HDD Form Overlay function	16
Pre-defined color settings in printer driver	16
Resolution Improvement Technology (RITech)	16

Chapter 2 *Paper Handling*

Available Paper	18
EPSON special media	18
General paper	20
Paper that should not be used	21
Paper Sources	22
MP tray	23
Standard lower cassette	24
Large Capacity Paper Unit	24
Selecting a paper source	25
Output Tray	28
Loading Paper	28

MP tray	29
Standard and optional lower cassettes.	30
Printing on Special Media	36
EPSON Color Laser Paper	36
EPSON Color Laser Coated Paper	37
EPSON Color Laser Transparencies	37
Envelopes	40
Labels	41
Thick paper.	42
Extra thick paper	43
Loading a custom paper size	44

Chapter 3 Using the Printer Software with Windows

About the Printer Software	49
Accessing the Printer Driver.	49
Making Changes to Printer Settings	50
Making the print quality setting	50
Resizing printouts	56
Modifying the print layout	59
Using a watermark	61
Using an overlay	65
Using HDD form overlay	71
Printing with the duplex unit	75
Making the Extended Settings.	78
Using the Reserve Job Function	81
Re-Print Job	82
Verify Job	83
Stored Job	85
Confidential Job	86
Monitoring Your Printer by Using EPSON Status Monitor 3	87
About EPSON Status Monitor 3	87
Installing EPSON Status Monitor 3	88
Accessing EPSON Status Monitor 3	89
Getting printer status details	91
Using the Job Management function	92
Setting Monitoring Preferences.	96
Status Alert window	98

Stopping monitoring	98
Setting Monitored Printers	99
Setting for the USB Connection	100
Canceling Printing	102
Uninstalling the Printer Software	103
Uninstalling the printer driver and EPSON Status Monitor 3103	
Uninstall only EPSON Status Monitor 3	106

Chapter 4 Setting Up Your Printer on a Network

About the Shared Printer	114
Setting Up Your Printer as a Shared Printer	115
Using an Additional Driver	117
Setting for the Clients	123
With Windows Me/98/95	124
With Windows XP/2000	125
With Windows NT 4.0	129
Installing the Printer Driver from the CD-ROM	131

Chapter 5 Using the Printer Software with Macintosh

About the Printer Software	134
Accessing the Printer Driver	134
Making Changes to Printer Settings	135
Making the print quality setting	135
Resizing printouts	140
Modifying the print layout	141
Using a watermark	143
Printing with the duplex unit	148
Making the Extended Settings	151
Using the Reserve Job Function	153
Re-Print Job	154
Verify Job	156
Stored Job	157
Confidential Job	158
Monitoring Your Printer by Using EPSON Status Monitor 3	160
About EPSON Status Monitor 3	160

Accessing EPSON Status Monitor 3	160
Getting printer status details	161
Setting Monitoring Preferences	162
Status Alert window	163
Setting for the USB connection	164
Canceling Printing	165
Uninstalling the Printer Software	165

Chapter 6 Functions of the Control Panel

Control Panel Operation	168
Using the Control Panel Menus	170
When to make control panel settings	170
How to access the control panel menus	171
Printing and Deleting Reserve Job Data	174
Using the Quick Print Job Menu	174
Using the Confidential Job Menu	175
Control Panel Menus	176
Control panel menu summary	176
Information Menu	179
Tray Menu	182
Emulation Menu	184
Printing Menu	184
Setup Menu	187
Quick Print Job Menu	193
Confidential Job Menu	193
Reset Menu	193
Parallel Menu	194
USB Menu	195
Network Menu	196
AUX Menu	196
LJ4 Menu	197
GL2 Menu	200
PS3 Menu	202
ESCP2 Menu	203
FX Menu	206
I239X Menu	208

Chapter 7 *Using Options*

Large Capacity Paper Unit	214
Installing the Large Capacity Paper Unit	215
Removing the Large Capacity Paper Unit	221
Hard Disk Drive	225
Installing the Hard Disk Drive	225
Removing the Hard Disk Drive	230
Memory Modules	232
Installing a memory module	232
Removing a memory module	237
Adobe PostScript 3 ROM Module	241
Installing the Adobe PostScript 3 ROM module	241
Removing the Adobe PostScript 3 ROM module	246
Interface Card	249
Installing an interface card	249
Removing an interface card	252
Printing a Status Sheet	253

Chapter 8 *Maintenance and Transportation*

Replacing Consumable Products	256
Precautions during replacement	256
Replacement messages	257
Toner cartridges	258
Photoconductor unit	263
Fuser unit	270
Transfer unit	275
Cleaning the Printer	279
Transporting the Printer	279
Finding a place for the printer	283
Checking color registration	284

Chapter 9 *Troubleshooting*

Clearing Jammed Paper	290
Precautions for clearing jammed paper	290

Jam AB (covers A and B)	291
Jam A (cover A)	293
Jam AC (cover A and paper cassettes)	297
Jam B (cover B)	302
Jam ABC (cover A, paper cassettes and cover B)	304
Jam in the MP tray	305
Problems and Solutions	306
Operational problems	306
Printout problems	307
Color printing problems	310
Print quality problems	311
Paper handling problems	315
Status and Error Messages	316
Canceling Printing	332
Using the printer driver	332
Using the Job Cancel button	332
Using the Reset Menu	333

Appendix A Technical Specifications

Available Paper	336
Available paper types	336
Specifications	337
Printable area	340
Printer	340
General	340
Environmental	343
Mechanical	343
Electrical	343
Standards and approvals	344
Interfaces	346
Parallel interface	346
USB interface	347
Ethernet interface	347
Options and Consumables	347
Large Capacity Paper Unit	347
Memory modules	348
Toner cartridges	349

Photoconductor unit	349
Transfer unit	350
Fuser unit 120/220	350

Appendix B Symbol Sets

Introduction to Symbol Sets	352
In the LJ4 Emulation Mode	353
International character sets for ISO	356
In the ESC/P2 or FX Modes	357
International character sets	358
Characters available with the ESC (^ command)	358
In the I239X Emulation Mode	359
In the EPSON GL/2 Mode	359

Appendix C Working with Fonts

Available Fonts	362
LJ4/GL2 mode	362
ESC/P2 and FX modes	364
I239X mode	365
Printing font samples	365
Adding More Fonts	366
Selecting Fonts	366
Downloading Fonts	366
EPSON Font Manager (Windows Only)	367
Installing EPSON Font Manager	367
EPSON BarCode Fonts (Windows Only)	368
System requirements for using EPSON BarCode Fonts	370
Installing EPSON BarCode Fonts	371
Printing with EPSON BarCode Fonts	372
EPSON BarCode Font specifications	376

Appendix D Contacting Customer Support

Contacting Customer Support	390
---------------------------------------	-----

For users in North America	391
For users in Latin America	392
For users in the United Kingdom and the Republic of Ireland	393
For users in the Middle East	394
For users in Scandinavia.	395
For users in South Africa	396
For users in Australia	397
For users in Singapore	399
For users in Thailand	399
For users in Indonesia.	400
For users in Hong Kong	400
For users in Malaysia	401
For users in India.	402
For users in the Philippines	403

Glossary

Warnings, Cautions, and Notes



Warnings must be followed carefully to avoid bodily injury.



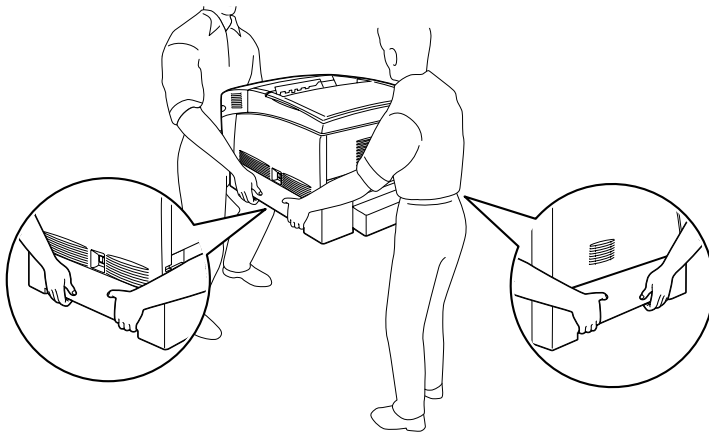
Cautions must be observed to avoid damage to your equipment.

Notes contain important information and useful tips about the operation of your printer.

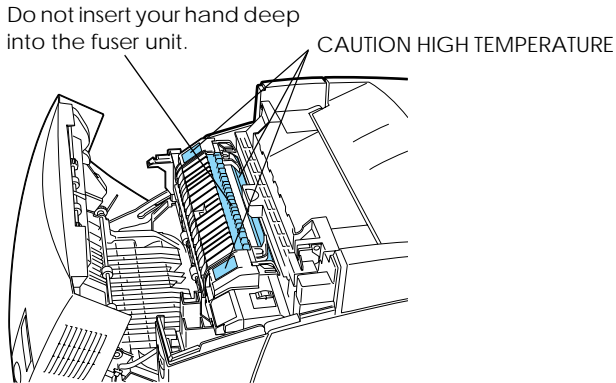
Safety Precautions

Be sure to follow these precautions carefully to ensure safe, efficient operation:

- ❑ Because the printer weighs approximately 34.5 kg (76 lb) with consumable products installed, one person should not attempt to lift or carry the printer. Two people should carry it, lifting it by the correct positions as shown below. Follow the instructions in the *Setup Guide* carefully.



- ❑ Be careful not to touch the fuser, which is marked CAUTION HIGH TEMPERATURE, or the surrounding areas. If the printer has been in use, the fuser and the surrounding areas may be very hot.



- ❑ Do not insert your hand deep into the fuser unit as some components are sharp and may cause injury.
- ❑ Avoid touching the components inside the printer unless instructed to do so in this guide.
- ❑ Never force the printer's components into place. Although the printer is designed to be sturdy, rough handling can damage it.
- ❑ When handling toner cartridges or photoconductor units, always place them on a clean, smooth surface.
- ❑ Do not attempt to modify or take toner cartridges apart. They cannot be refilled.
- ❑ Do not touch the toner and avoid getting toner in your eyes.

- ❑ Do not dispose of used toner cartridges, photoconductor units, fuser units, or transfer units in fire, as they can explode and cause injury. Dispose of them according to local regulations.
- ❑ Wait for at least one hour before using a toner cartridge or a fuser unit after moving it from a cool to a warm environment to prevent damage from condensation.
- ❑ When removing the photoconductor unit, avoid exposing it to room light for more than five minutes. The unit contains a green-colored light-sensitive drum. Exposure to light can damage the drum, causing dark or light areas to appear on the printed page and reducing the service life of the drum. If you need to keep the unit out of the printer for long periods, cover it with an opaque cloth.
- ❑ Be careful not to scratch the surface of the drum. When you remove the photoconductor unit from the printer, always place the unit on a clean, smooth surface. Avoid touching the drum, since oil from your skin can permanently damage its surface and affect print quality.
- ❑ To get the best print quality, do not store the photoconductor unit in an area subject to direct sunlight, dust, salty air, or corrosive gases (such as ammonia). Avoid locations subject to extreme or rapid changes in temperature or humidity.
- ❑ Be sure to keep all consumable components out of the reach of children.
- ❑ Do not leave jammed paper inside the printer. This can cause the printer to overheat.
- ❑ Avoid using outlets that other appliances are plugged into.
- ❑ Use only an outlet that meets the power requirements of this printer.

Important Safety Instructions

- ❑ Connect your printer to an electrical outlet that meets the power requirements of this printer. Your printer's power requirements are indicated on a label attached to the printer. If you are not sure of the power supply specifications in your area, contact your local power company or your dealer.
- ❑ If you are unable to insert the AC plug into an electrical outlet, contact an electrician.
- ❑ Adjust only the controls mentioned in the manual. Adjusting other controls can damage your printer.

ENERGY STAR® Compliance



As an International ENERGY STAR® Partner, EPSON has determined that this product meets the International ENERGY STAR® Program guidelines for energy efficiency. The International ENERGY

STAR® Office Equipment Program is a voluntary partnership with the computer and office equipment industry to promote the introduction of energy-efficient personal computers, monitors, printers, fax machines, copiers, and scanners, in an effort to reduce air pollution caused by power generation.

Power On/Off Cautions

Do not turn off the printer under the following conditions:

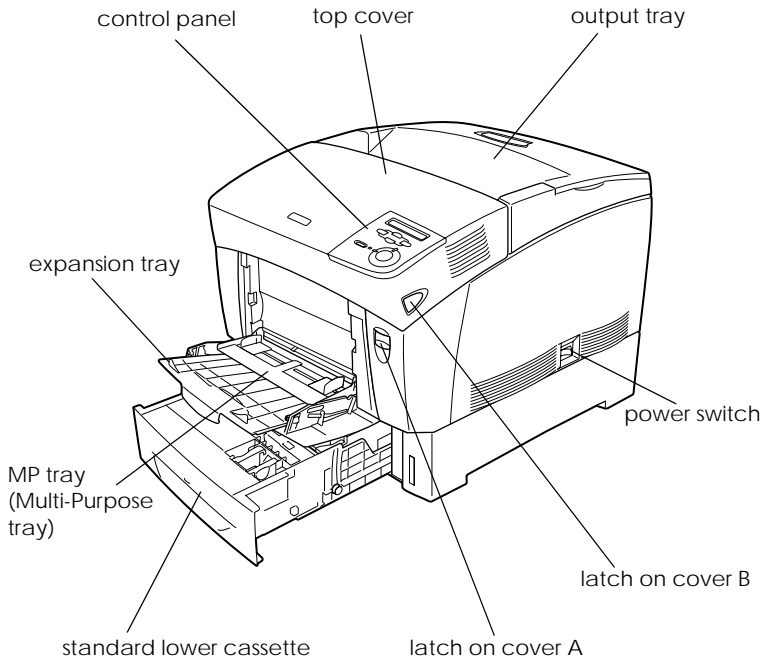
- ❑ For at least 30 seconds after turning on the printer. Wait until **Ready** appears on the LCD panel.
- ❑ While the Ready light is flashing.

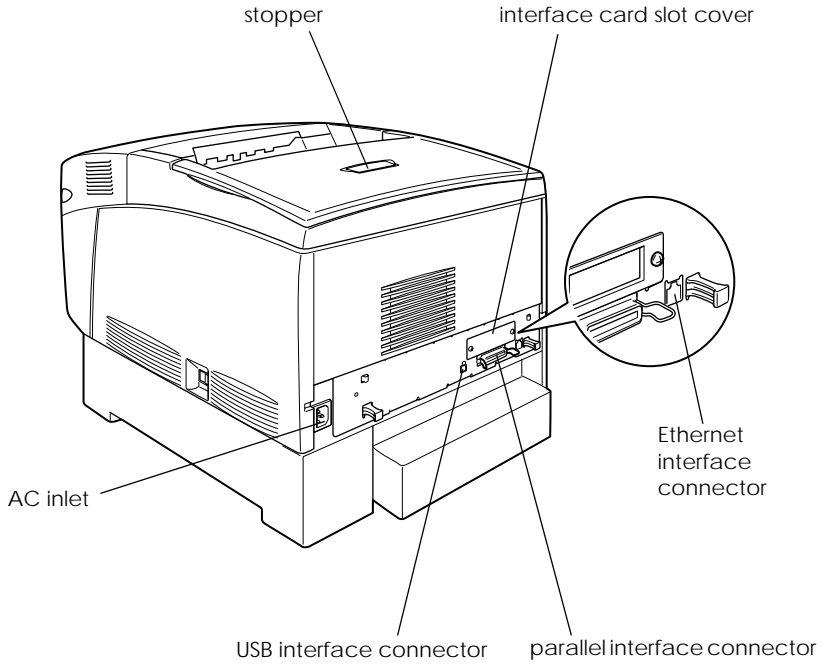
- ❑ While the Data light is on or flashing.
- ❑ While printing.

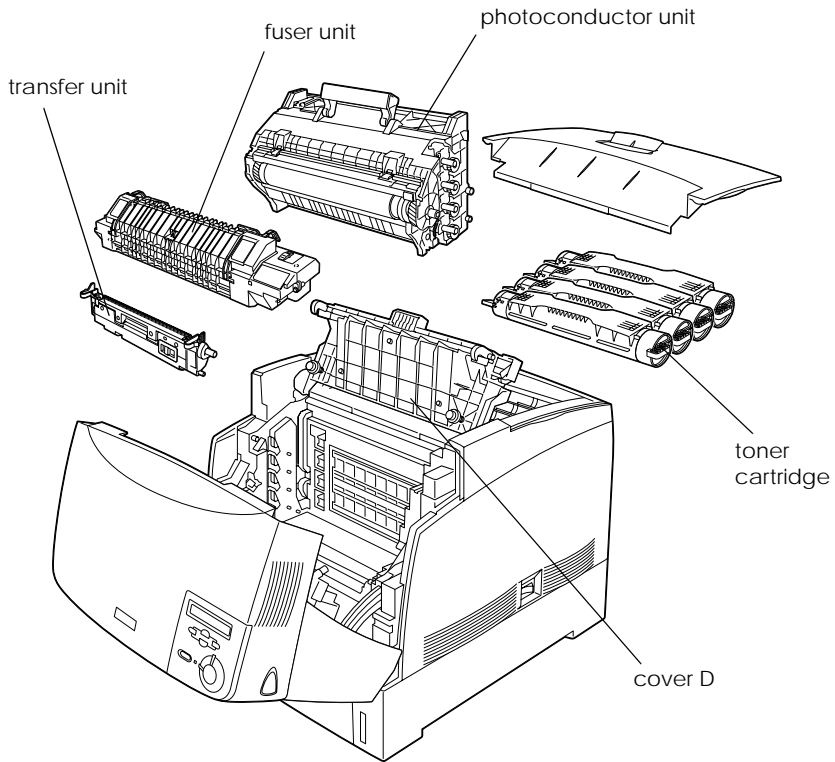
Getting to Know Your Printer

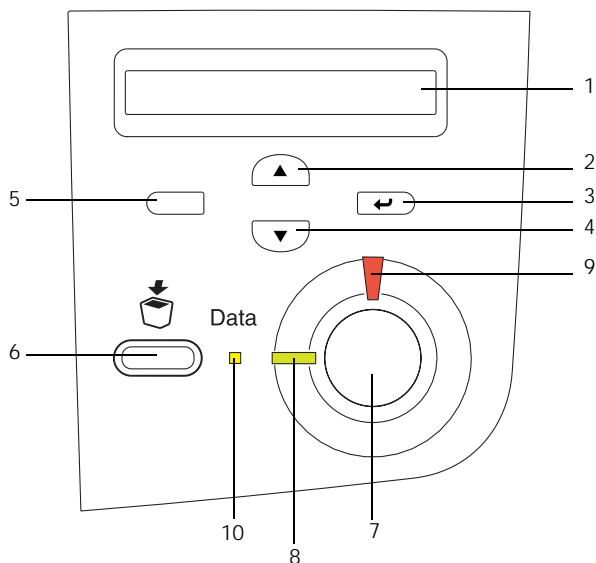
Printer Parts	8
Options and Consumable Products	13
Options.....	13
Consumable products	14
About Your Printer	15
High-speed tandem printing engine.....	15
Duplex printing	15
Reserve Job function	15
HDD Form Overlay function	16
Pre-defined color settings in printer driver	16
Resolution Improvement Technology (RITech).....	16

Printer Parts









- | | | |
|---------------|--------------------------------|---|
| 1 | LCD panel | Displays printer status messages and control panel settings. |
| 2, 3,
4, 5 | Up/Enter/Down/
Back buttons | Use these buttons to access the control panel menus, where you can make printer settings and check the status of consumable products. For instructions on how to use each button, see “Using the Control Panel Menu” on page 170. |

- | | | |
|----|-------------------|---|
| 6 | Job Cancel button | Press once to cancel the current print job.
Press down for more than two seconds to delete all jobs from the printer memory, including jobs the printer is currently receiving, saving to the Hard Disk Drive, or printing. |
| 7 | Start/Stop button | Switches the printer between ready and offline status.
When the error light is flashing, pressing this button clears the error and switches the printer to ready status. |
| 8 | Ready light | On when the printer is ready, indicating that the printer is ready to receive and print data.
When the printer is not ready, this light is off. |
| 9 | Error light | On or flashes when an error has occurred.
Flashing slowly when the printer is not ready. |
| 10 | Data light | On when print data is stored in the print buffer (the section of printer memory reserved for receiving data) but not yet printed.
Flashing when the printer is processing data.
Off when no data remains in the print buffer. |

For detailed information about using the control panel, see “Control Panel Operation” on page 168.

Options

You can add to your printer's capabilities by installing any of the following options:

- ❑ The Large Capacity Paper Unit (C12C813861) holds two paper cassettes. It increases paper-feeding capacity up to 1,000 sheets of paper.
- ❑ The Hard Disk Drive (C12C823921) expands the printer's capacity by allowing you to print complex and large print jobs at high speed. This option also allows you to use the Reserve Job function, allowing you to save overlay data and print job data. These allow you to print overlay data fast and reprint the print job later directly from the printer's control panel.
- ❑ Optional memory modules expand your printer's memory, allowing you to print complex and graphics-intensive documents.
- ❑ The Adobe® PostScript® 3™ ROM Module (C12C832501) generates crisp PostScript output. It cannot be used for Macintosh connected over the IEEE 1394 Type B Interface Card.
- ❑ The IEEE 1394 Type B Interface Card (C12C82391) can be used for Macintosh users. It can be connected to a Macintosh® FireWire® port.

Consumable products

The life of the following consumable products is monitored by the printer. The printer lets you know when replacements are needed.

Toner Cartridge (Yellow)	S050088
Toner Cartridge (Magenta)	S050089
Toner Cartridge (Cyan)	S050090
Toner Cartridge (Black)	S050091
Photoconductor Unit	S051081
Transfer Unit	S053006
Fuser Unit 120/220	S053008/S053007*

* Product number varies by location.

The EPSON special media listed below provide you with the best-quality printouts.

EPSON Color Laser Paper (A4)	S041215
EPSON Color Laser Paper (Letter)	S041218
EPSON Color Laser Transparencies (A4)	S041175
EPSON Color Laser Transparencies (Letter)	S041174
EPSON Color Laser Coated Paper (A4)	S041383



Caution:

- ❑ *Do not use other EPSON media such as EPSON special media for ink jet printers, as this can cause paper jams and damage the printer.*
- ❑ *Do not use the media listed above in other printers, except when specified in the documentation.*

About Your Printer

The printer comes with a full set of features that contributes to ease of use and consistent, high-quality output. The main features are described below.

High-speed tandem printing engine

Your printer's state-of-the-art tandem engine features 400 MHz image processing and single-pass technology that delivers 16 ppm (pages per minute) at 600 dpi and 8 ppm at 1200 dpi color and monochrome printing.

Duplex printing

This printer comes with a built-in duplex unit, allowing you to easily print on both sides of the page. You can produce professional quality double-sided documents. Use this feature with any print job to cut costs and save resources.

As an ENERGY STAR[®] partner, EPSON recommends the use of the duplex printing function. See ENERGY STAR[®] Compliance for more information on the ENERGY STAR[®] program.

Reserve Job function

The Reserve Job function lets you store a print job on the printer's Hard Disk Drive and reprint it directly from the printer's control panel at any time without using your computer. You can also print one copy in order to verify the content before printing multiple copies. If the content of the print job is confidential, you can set a password to limit access to it. For more information, see "Using the Reserve Job Function" on page 81 for Windows, or "Using the Reserve Job Function" on page 153 for Macintosh.

Note:

You need an optional Hard Disk Drive installed in your printer in order to use the Reserve Job function.

HDD Form Overlay function

Enables faster printing with form overlays by allowing you to save the overlay data on the optional Hard Disk Drive instead of your computer. This feature is only available for Windows. For details, see “Using HDD form overlay” on page 71.

Note:

You need an optional Hard Disk Drive installed in your printer in order to use the HDD Form Overlay function.

Pre-defined color settings in printer driver

The printer driver offers many pre-defined settings for color printing, allowing you to optimize print quality for various types of color documents.

For more information, see “Making the print quality setting” on page 50 for Windows, or “Making the print quality setting” on page 135 for Macintosh.

Resolution Improvement Technology (RITech)

Resolution Improvement Technology (RITech) is an original EPSON printer technology that improves the appearance of printed lines, text, and graphics.

Chapter 2

Paper Handling

Available Paper	18
EPSON special media	18
General paper	20
Paper that should not be used	21
Paper Sources	22
MP tray	23
Standard lower cassette	24
Large Capacity Paper Unit	24
Selecting a paper source	25
Output Tray	28
Loading Paper	28
MP tray	29
Standard and optional lower cassettes	30
Printing on Special Media	36
EPSON Color Laser Paper	36
EPSON Color Laser Coated Paper	37
EPSON Color Laser Transparencies	37
Envelopes	40
Labels	41
Thick paper	42
Extra thick paper	43
Loading a custom paper size	44

Available Paper

This section explains what kind of paper you can use with your printer. Avoid using paper not mentioned in this section.

Note:

The printer is extremely sensitive to moisture. Be sure to store your paper in a dry environment.

EPSON special media

EPSON provides special media created especially for this printer.

EPSON Color Laser Paper

You can load this media from the MP tray, the standard lower cassette, or the optional Large Capacity Paper Unit.

S041215 (A4)

S041218 (Letter)

EPSON Color Laser Transparencies

You can load this media only from the MP tray.

S041175 (A4)

S041174 (Letter)



Caution:

- Do not use other EPSON media such as EPSON special media for ink jet printers, as this can cause paper jams and damage the printer.*

- Do not use the media listed above in other printers, except when specified in the documentation.*

EPSON Color Laser Coated Paper

This media is thicker than EPSON Color Laser Paper and produces glossier printing.

To print on EPSON Color Laser Coated Paper from the MP tray, choose Coated as the Paper Type setting in the printer driver.


This setting is optimized for printing on coated paper.

If you want to feed coated paper from the standard lower cassette or the optional Large Capacity Paper Unit, choose Plain as the Paper Type setting in the printer driver.

If Coated is selected, printouts may be superior in quality to those printed with the Plain setting.

S041383 (A4)

Note:

- ❑ Coated *appears in the Paper Type list when the Add Coated to the Paper Type settings check box is selected in the Extended Settings dialog box. To access this dialog box from the printer driver in Windows, click Extended Settings on the Optional Settings menu. In Macintosh, click the  Extended Settings icon in the Basic Settings dialog box.*
- ❑ *Duplex printing using the duplex unit is not possible when Coated is selected as the Paper Type setting in the printer driver.*

General paper

You can use the following paper in addition to EPSON special media introduced in the previous section.

Paper Type	Description
Plain paper	Recycled paper is acceptable* Weight: 60 to 105 g/m ² (16 to 12.70 kg)
Envelopes	No paste and no tape No plastic window (unless specifically designed for laser printers)
Labels	The backing sheet should be covered completely, with no gaps between labels**
Thick paper	Weight: 106 to 159 g/m ² (28.2 to 42.3 lb)
Extra thick paper	Weight: 160 to 216 g/m ² (42.5 to 57.4 lb)
Colored paper	Non-coated

* Use recycled paper only under normal temperature and humidity conditions. Poor quality paper may reduce print quality, cause paper jams and other problems.

** Gaps between labels may cause the labels to peel off inside the printer and damage the printer.

Note:

- ❑ *Since the quality of any particular brand or type of media may be changed by the manufacturer at any time, EPSON cannot guarantee the quality of any type of media. Always test samples of media stock before purchasing large quantities or printing large jobs.*
- ❑ *You may use paper with preprinted letterheads, provided that the paper and ink are both compatible with laser printers.*

Paper that should not be used

You cannot use the following paper in this printer. It may cause printer damage, paper jams, and poor print quality.

- Media meant for other color laser printers, black-and-white laser printers, color copiers, black-and-white copiers, or ink jet printers
- Previously printed paper by other color laser printers, black-and-white laser printers, color copiers, black-and-white copiers, ink jet printers, or thermal transfer printers
- Carbon paper, no-carbon paper, thermal-sensitive paper, pressure-sensitive paper, acid paper, or paper that uses high-temperature-sensitive ink (around 200°C)
- Transparencies for color copiers or other color laser printers.
- Labels that peel easily or labels that do not cover the backing sheet completely
- Coated paper or special surface-colored paper except EPSON Color Laser Coated Paper
- Paper that has binder holes or is perforated
- Paper that has glue, staples, paper clips, or tape on it.
- Paper that attracts static electricity
- Moist or damp paper
- Paper of uneven thickness
- Overly thick or thin paper
- Paper that is too smooth or too rough

- ❑ Paper that is different on the front and back
- ❑ Paper that is folded, curled, wavy, or torn
- ❑ Paper of irregular shape, or paper that does not have right-angle corners

Paper Sources

This section describes the combinations of paper sources and paper types that you can use. The section also describes how to select a paper source and how to feed paper manually.

MP tray

Paper Type	Paper Size	Capacity
Plain paper	A4, A5, B5, Letter (LT), Half-Letter (HLT), Executive (EXE), Government Legal (GLG), Legal (LGL), Government Letter (GLT), F4 Custom-size paper: 88.9 × 139.7 mm minimum 215.9 × 355.6 mm maximum	Up to a 100 sheets (Total thick stack: less than 10 mm)
Envelopes	Monarch (MON), C10, DL, C5, C6, IB5	Up to a 10 mm thick stack
Labels	A4, Letter (LT)	Up to a 10 mm thick stack
Thick paper Weight: 106 to 159 g/m ²	88.9 × 139.7 mm minimum 215.9 × 457.2 mm maximum	Up to a 10 mm thick stack
Extra thick paper Weight: 160 to 216 g/m ²	88.9 × 139.7 mm minimum 215.9 × 457.2 mm maximum	Up to a 10 mm thick stack
EPSON Color Laser Paper	A4, Letter (LT)	Up to 100 sheets (Total thickness: less than 10 mm)
EPSON Color Laser Coated Paper	A4	Up to 100 sheets
EPSON Color Laser Transparencies	A4, Letter (LT)	Up to 75 sheets

Standard lower cassette

Paper Type	Paper Size	Capacity
Plain paper	A4, A5, B5, Executive (EXE), Letter (LT), Legal (LGL) Government Legal (GLG),	Up to 500 sheets (Total thickness: less than 58 mm)
EPSON Color Laser Paper	A4, Letter (LT)	Up to 500 sheets
EPSON Color Laser Coated Paper	A4	Up to 500 sheets

Large Capacity Paper Unit

This unit has two paper cassettes. Each can be loaded with the following paper sizes:

Paper Type	Paper Size	Capacity
Plain paper	A4, A5, B5, Letter (LT), Executive (EXE), Legal (LGL) Government Legal (GLG),	Up to 500 sheets in each cassette (Total thickness: less than 58 mm)
EPSON Color Laser Paper	A4, Letter (LT)	Up to 500 sheets in each cassette
EPSON Color Laser Coated Paper	A4	Up to 500 sheets

Selecting a paper source

You can specify a paper source manually, or set the printer to select the paper source automatically.

Manual selection

You can use the printer driver or the printer's control panel to select a paper source manually.

Using the printer driver

In Windows, access the printer driver, click the Basic Settings tab, and select the paper source that you want to use from the Paper Source list. Then click OK.

In Macintosh, access the printer driver, open the Basic Settings dialog box, and select the paper source that you want to use from the Paper Source list. Then click OK.

Using the printer's control panel

Access the control panel's Setup Menu, then select Paper Source and specify the paper source you want to use.

Auto selection

If you want the printer to select the paper source containing the appropriate size of paper automatically, select Auto Selection in the printer driver or Auto using the printer's control panel.

The printer will search for a paper source containing the specified paper size in the following order:

Standard configuration:

MP tray
Lower Cassette 1 (standard lower cassette)

Note:

- ❑ *If you make paper size settings or paper source settings in your application, these settings may override the printer driver settings.*
- ❑ *When you select an envelope for the Paper Size setting, it can be fed only from the MP tray regardless of the Paper Source setting.*
- ❑ *You can change the priority of the MP tray by using the MP Mode setting in the control panel's Setup Menu. For details, see "Setup Menu" on page 187.*

With optional Large Capacity Paper Unit installed:

MP tray

Lower Cassette 1 (standard lower cassette)


Lower Cassette 2 (optional lower cassette)

Lower Cassette 3 (optional lower cassette)

Note:

- ❑ *If you make paper size settings or paper source settings in your application, these settings may override the printer driver settings.*
- ❑ *When you select an envelope for the Paper Size setting, it can be fed only from the MP tray regardless of the Paper Source setting.*
- ❑ *You can change the priority of the MP tray by using the MP Mode setting in the control panel's Setup Menu. For details, see "Setup Menu" on page 187.*

Manually feeding paper

Manual feeding is similar to normal paper feeding, except that you need to press the  Start/Stop button to print the rest of the pages after the first page is printed. This can be helpful when you want to check the print quality after the first page is printed.


Follow these steps to feed paper manually.

1. Access the printer driver by one of the following methods:

- ❑ To access the printer driver from your application, select Print or Page Setup from the File menu. You also need to click Setup, Options, Properties, or a combination of these buttons.
 - ❑ To access the printer driver from Windows XP, Me, 98, 95, 2000, or NT 4.0, click Start, point to Settings, and click Printers. Next, right-click the EPSON AL-C4000 Advanced icon and click Properties (in Windows Me, 98 or 95), Printing Preferences (in Windows XP or 2000) or Document Defaults (in Windows NT 4.0).
 - ❑ To access the printer driver from Macintosh, select Print from the File menu on any application or select Chooser from the Apple menu and click the AL-C4000 icon beforehand.
2. For Windows, click the Basic Settings tab, then select the Manual Feed check box. For Macintosh, click the Manual Feed check box on the Basic Settings dialog box.
 3. Select the correct paper size from the Paper Size list.
 4. If paper of the selected size is already loaded, go on to the next step. Otherwise, remove any paper remaining in the tray or cassette. Load a sheet or a stack of the selected size paper with the printable side up. Adjust the paper guides to match the paper size you are loading.

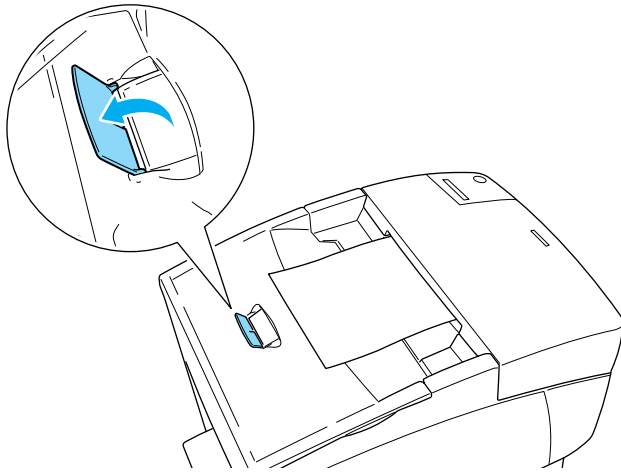
Note:

Load paper into the MP tray with the printable surface facing down, but load the standard and optional lower cassettes with the printable surface facing up.

5. Print a document from your application. The LCD panel shows Manual Feed and the selected page size.
6. Press the  Start/Stop button to print. A sheet of paper is loaded and printed.

Output Tray

The output tray is located on the top of the printer. Since printouts are output face-down, this tray is also referred to as the face-down tray. This tray can hold up to 250 sheets. Raise the stopper to prevent your printouts from slipping off the printer.



Loading Paper

This section describes how to load paper into the MP tray, the standard lower cassette, and the optional Large Capacity Paper Unit. If you use special media such as EPSON Color Laser Coated Paper or EPSON Color Laser Transparencies or envelopes, see also “Printing on Special Media” on page 36.

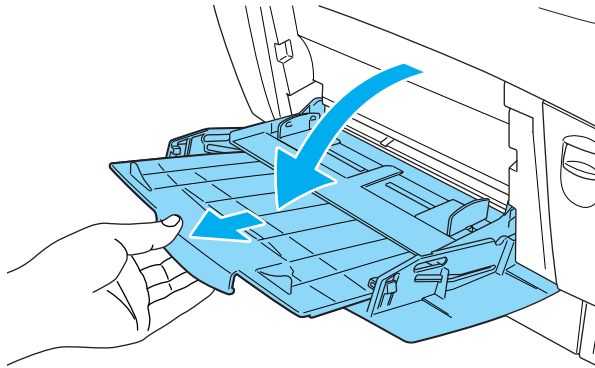
MP tray

The MP tray is the most flexible paper source, accommodating various paper sizes and media types. See “MP tray” on page 23 for details.

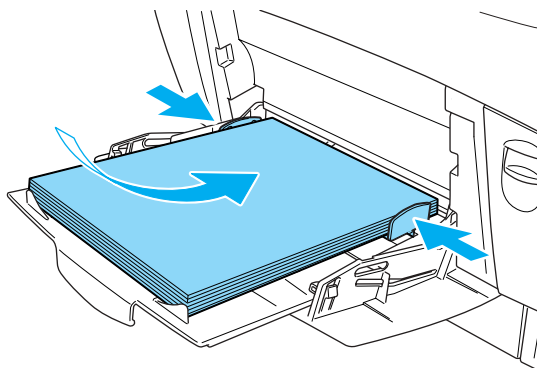
2

Follow these steps to load paper into the MP tray.

1. Open the MP tray, then pull out the expansion tray on the MP tray to accommodate the size of the media you want to load.



2. Load a stack of the desired media with the printable surface facing down, then slide the guides against the sides of the stack to get a snug fit.



3. Select the Paper Source and Paper Size settings that match the loaded media by using the printer driver or the printer's control panel.

Note:

To print on the back side of previously printed paper, use the MP tray. The duplex unit cannot be used for this purpose.

Standard and optional lower cassettes

The paper-loading procedure is the same for the standard lower cassette and the optional Large Capacity Paper Unit.

In addition to plain paper, you can also use special media such as EPSON Color Laser Paper in the lower cassettes.

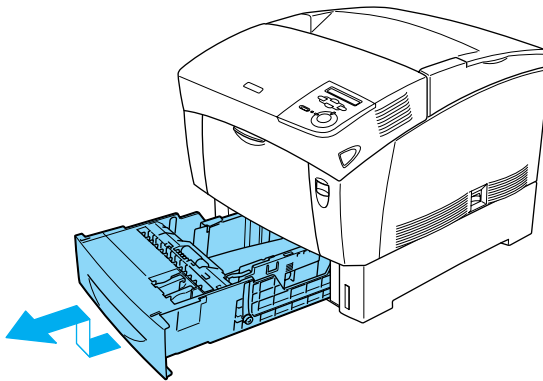
Note:

- Use the included paper size labels to identify the size of paper being used in the cassettes.*

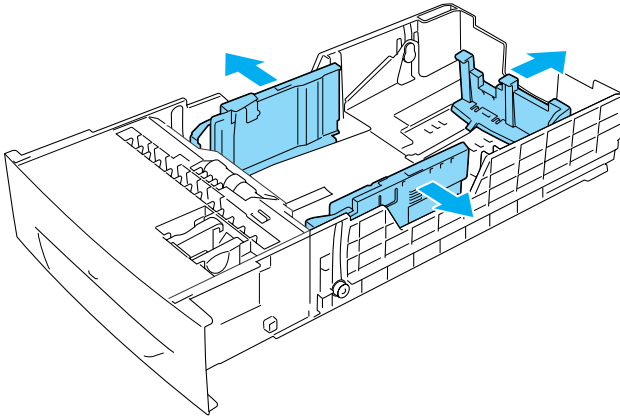
- ❑ *In Windows, you must select the optional Large Capacity Paper Unit in the printer driver's Optional Settings menu after installing it on the printer.*

Follow these steps to load paper into the standard lower cassette or the Large Capacity Paper Unit. The illustrations show the standard lower cassette.

1. Pull the paper cassette out until it stops. Then lift up the front of the cassette and pull out the cassette.



2. Slide the guides to accommodate the paper you are loading. Tilt the rear guide forward to slide it.

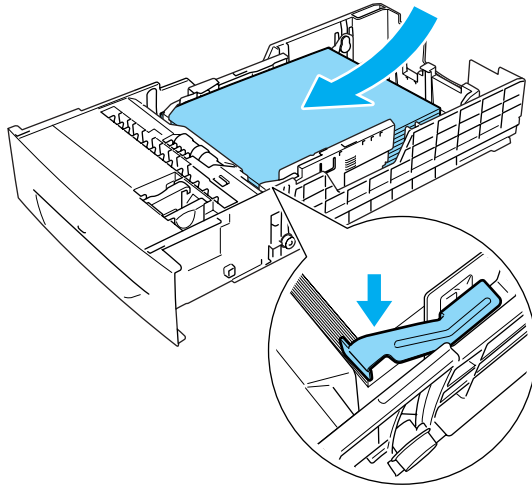


3. To prevent the sheets from sticking together, fan a stack of paper. Then tap the edge on a firm surface to line it up.

Note:

If your printouts are curled or do not stack properly when using plain paper, try turning the stack over and reloading it.

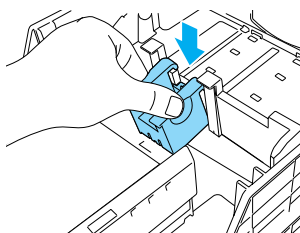
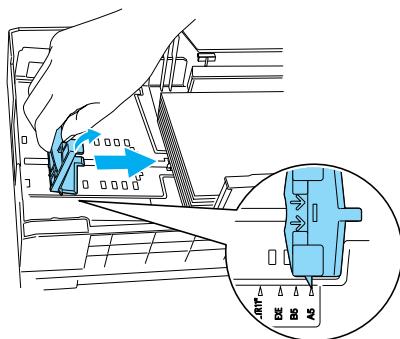
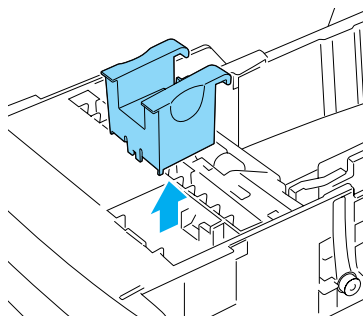
4. Insert the stack into the cassette, lining it up with both the back and right sides of the cassette. Make sure that all the paper is under the metal retaining clip, with the printable surface up.



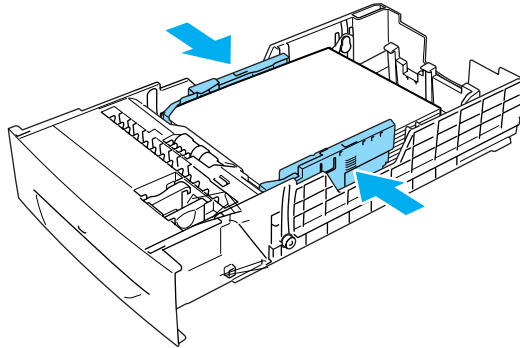
Note:

- ❑ *Loading the cassette with too much paper may cause paper jams.*

- When loading A5 size paper, attach the adjuster that comes with the cassette, as shown below.

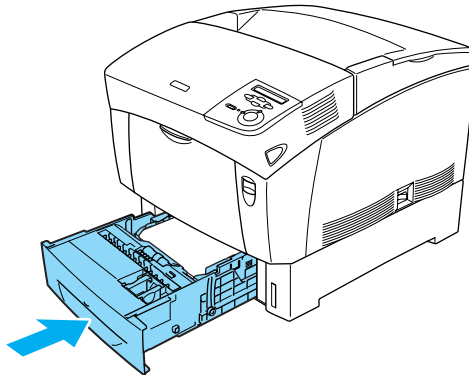


5. Slide the paper guides to fit the paper you are loading.



2

6. Insert the paper cassette gently into the printer, and push it back into the printer.



7. Use the printer's control panel to select the **LC1 Type** setting that matches the type of loaded paper. For details, see "Tray Menu" on page 182.

Note:

If you have installed and loaded paper into the optional Large Capacity Paper Unit, select LC1 Type through LC3 Type settings that match the loaded paper types.

Printing on Special Media

You can print on special media such as EPSON Color Laser Paper, EPSON Color Laser Transparencies, EPSON Color Laser Coated Paper, thick paper, envelopes, and labels.

Note:

Since the quality of any particular brand or type of media may be changed by the manufacturer at any time, EPSON cannot guarantee the quality of any type of media. Always test samples of media stock before purchasing large quantities or printing large jobs.

EPSON Color Laser Paper

You can load EPSON Color Laser Paper in the following paper sources:

MP tray (up to 100 sheets)

Standard lower cassette (up to 500 sheets)

Optional Large Capacity Paper Unit (up to 500 sheets in each cassette)

EPSON Color Laser Coated Paper

Printing on EPSON Color Laser Coated Paper produces glossier printouts. The Paper Type setting you can use when printing on EPSON Color Laser Coated Paper varies depending on the paper source, as shown below.

2

Paper sources	Paper Type Setting
MP tray	Plain or Coated
standard lower cassette	Plain
Large Capacity Paper Unit	Plain

For best results, load this media in the MP tray and select Coated as the Paper Type setting in the printer driver.

If Coated is selected, printouts may be superior in quality to those printed with the Plain setting.

Note:

- Coated *appears in the Paper Type list when the Add Coated to the Paper Type settings check box is selected in the Extended Settings dialog box. To access this dialog box from the printer driver in Windows, click Extended Settings on the Optional Settings menu. In Macintosh, click the Extended Settings icon in the Basic Settings dialog box.*
- To print on both sides of EPSON Color Laser Coated Paper using the duplex unit, select Plain.*

EPSON Color Laser Transparencies

EPSON recommends the use of EPSON Color Laser Transparencies.

Note:

Duplex printing is not available for transparencies.

Transparencies can be loaded into the MP tray only (up to a 10 mm thick stack). When using transparencies, you should make paper settings as shown below:

- ❑ Make settings on the Basic Settings menu (for Windows) or the Basic Settings dialog box (for Macintosh) in the printer driver as shown below.

Paper Size: A4 or Letter

Paper Source: MP tray

Paper Type: Transparency

- ❑ You can also make these settings on the Tray Menu in the control panel.

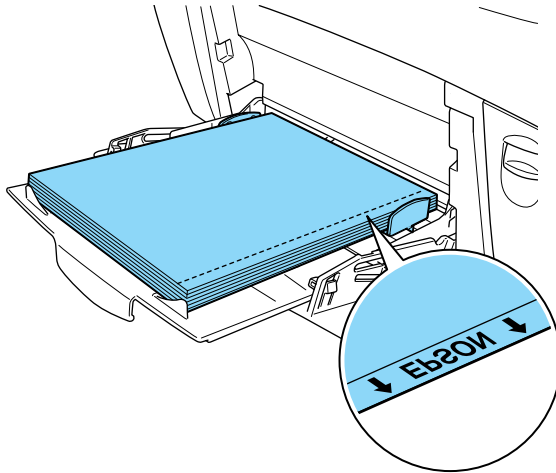
MP Tray Size: A4 or LT

MP tray Type: Transparency

Please note the following when handling this media:

- ❑ Hold each sheet by its edges, as oil from your fingers may transfer to the surface and damage the printable surface of the sheet. The EPSON logo appears on the printable side.

- ❑ When loading transparencies in the MP tray, insert the short edge first with the printable surface facing down.



If transparencies are loaded incorrectly, the message `Check Transparency` appears on the LCD panel. Remove the transparencies from the MP tray and remove the jammed transparencies from the MP tray. Open and close cover A to clear the message on the LCD panel, then reload the transparencies. The printer resumes printing from the page that jammed.

- ❑ When using transparencies, load them in the MP tray and set the Paper Type setting to `Transparency` in the printer driver.
- ❑ When the Paper Type setting in the printer driver is set to `Transparency`, do not load any other type of paper except transparencies.



Caution:

Sheets that have just been printed on may be hot.

Envelopes

The print quality of envelopes may be irregular because different parts of an envelope have different thicknesses. Print one or two envelopes to check the print quality.



Caution:

Do not use window envelopes unless they are specifically designed for laser printers. The plastic on most window envelopes will melt when it comes into contact with the fuser.

Note:

- Duplex printing is not available for envelopes.*
- Depending on the quality of envelopes, the printing environment, or the printing procedure, envelopes might be wrinkled. Make a trial print run before you print on a lot of envelopes.*

Envelopes can be loaded into the MP tray only (up to a 10 mm thick stack). When using envelopes, you should make paper settings as shown below:

- Make settings on the Basic Settings menu (for Windows) or the Basic Settings dialog box (for Macintosh) in the printer driver as shown below:

Paper Size: MON, C10, DL, C5, C6, IB5

Paper Source: MP tray

Paper Type: Thick

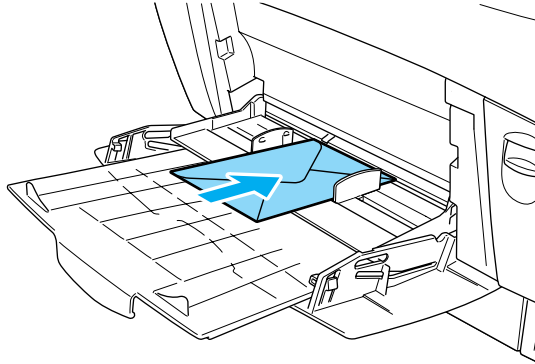
- You can also make these settings on the Tray Menu and the Setup Menu in the control panel.

MP Tray Size (on the Tray Menu): MON, C10, DL, C5, C6, IB5

Paper Type (on the Setup Menu): Thick

Please note the following when handling this media:

- ❑ Load envelopes with the short edge first and the printable side down, as shown below.



Labels

You can load more than one sheet of labels into the MP tray at a time. However, you may need to feed some types of labels one sheet at a time, or load them manually.

Note:

- ❑ *Duplex printing is not available for labels.*
- ❑ *Depending on the quality of labels, the printing environment, or the printing procedure, labels might be wrinkled. Make a trial print run before you print on a lot of labels.*

Labels can be loaded into the MP tray only (up to a 10 mm thick stack). When using labels, you should make paper settings as shown below:

- ❑ Make settings on the Basic Settings menu (for Windows) or the Basic Settings dialog box (for Macintosh) in the printer driver as shown below:

Paper Size: (Select appropriate size)

Paper Source: MP tray

Paper Type: Labels

- ❑ You can also make these settings on the Tray Menu and the Setup Menu in the control panel.

MP Tray Size (on the Tray Menu): (Select appropriate size)

MP Type (on the Tray Menu): Labels

Paper Type (on the Setup Menu): Thick*

* When using especially thick labels, set Paper Type to ExtraThk.

Note:

- ❑ *You should only use labels designed for laser printers or plain-paper copiers.*
- ❑ *To prevent the label adhesive from coming into contact with printer parts, always use labels that completely cover the backing sheet, with no gaps between the individual labels.*
- ❑ *You should test all label sheets for leaking adhesive by pressing a sheet of paper on top of a sheet of labels. If the paper sticks to the sheet of labels, do not use the labels in your printer.*

Thick paper

Thick paper can be loaded into the MP tray only (up to a 10 mm thick stack).

When using thick paper, you should make paper settings as shown below:

- Make settings on the Basic Settings menu (for Windows) or the Basic Settings dialog box (for Macintosh) in the printer driver as shown below:

Paper Size: (Select appropriate size)

Paper Source: MP tray

Paper Type: Thick

- You can also make these settings on the Tray Menu and the Setup Menu in the control panel.

MP Tray Size (on the Tray Menu): (Select appropriate size)

Paper Type (on the Setup Menu): Thick

Note:

When using thick paper, you cannot do duplex printing automatically. When you want to make duplex printing with thick paper, set the Face side setting on the control panel's Setup Menu to Back or Front, then print manually.

Extra thick paper

Extra thick paper can be loaded into the MP tray only (up to a 10 mm thick stack). When using extra thick paper, you should make paper settings as shown below:

- ❑ Make settings on the Basic Settings menu (for Windows) or the Basic Settings dialog box (for Macintosh) in the printer driver as shown below:

Paper Size: (Select appropriate size)

Paper Source: MP tray

Paper Type: ExtraThk

- ❑ You can also make these settings on the Tray Menu and the Setup Menu in the control panel.

MP Tray Size (on the Tray Menu): (Select appropriate size)

Paper Type (on the Setup Menu): ExtraThk

Note:

When using extra thick paper, you cannot do duplex printing automatically. When you want to make duplex printing with extra thick paper, set the Page side setting on the control panel's Setup Menu to Back or Front, then print manually.

Loading a custom paper size

You can load non-standard size paper into the MP tray as long as it meets the following size and weight requirements:

Plain paper	88.9 × 139.7 mm to 215.9 × 355.6 mm (35 × 55 in. to 85 × 140 in.) (Weight: 60 to 105 g/m ²)
-------------	--

Thick paper	88.9 × 139.7 mm to 215.9 × 355.6 mm (35 × 55 in. to 85 × 140 in.) (Weight: 106 to 159 g/m ²)
Extra thick paper	88.9 × 139.7 mm to 215.9 × 355.6 mm (35 × 55 in. to 85 × 140 in.) (Weight: 160 to 216 g/m ²)

- ❑ For Windows, access the printer driver, then select User-Defined Size from the Paper Size list on the Basic Settings menu. In the User Defined Paper Size dialog box, adjust the Paper Width, Paper Length, and Unit settings to match your custom paper. Then click OK and your custom paper size will be saved.
- ❑ For Macintosh, access the printer driver, click Custom Size in the Paper Setting dialog box. Then click New, adjust the Paper Width, Paper Length, and Margin settings to match your custom paper. Then enter the setting's name, and click OK to save your custom paper size.
- ❑ If you cannot use the printer driver as explained above, make this setting at the printer by accessing the control panel's Printing Menu and selecting CTM (custom) as the Page Size setting.

Chapter 3

Using the Printer Software with Windows

About the Printer Software	49
Accessing the Printer Driver	49
Making Changes to Printer Settings	50
Making the print quality setting	50
Resizing printouts	56
Modifying the print layout	59
Using a watermark	61
Using an overlay	65
Using HDD form overlay	71
Printing with the duplex unit	75
Making the Extended Settings	78
Using the Reserve Job Function	81
Re-Print Job	82
Verify Job	83
Stored Job	85
Confidential Job	86
Monitoring Your Printer by Using EPSON Status Monitor 3	87
About EPSON Status Monitor 3	87
Installing EPSON Status Monitor 3	88
Accessing EPSON Status Monitor 3	89
Getting printer status details	91
Using the Job Management function	92
Setting Monitoring Preferences	96
Status Alert window	98
Stopping monitoring	98
Setting Monitored Printers	99
Setting for the USB Connection	100
Canceling Printing	102
Uninstalling the Printer Software	103

Uninstalling the printer driver and EPSON Status Monitor 3103
Uninstall only EPSON Status Monitor 3 106

About the Printer Software

The printer software contains a printer driver and EPSON Status Monitor 3. The printer driver lets you choose from a wide variety of settings to get the best results from your printer. EPSON Status Monitor 3 is accessed through the Utility tab in the printer driver. EPSON Status Monitor 3 lets you check the status of your printer. See “Monitoring Your Printer by Using EPSON Status Monitor 3” on page 87 for more information.

3

Accessing the Printer Driver

You can access the printer driver directly from any application program or from your Windows operating system.

The printer settings made from many Windows applications override the settings made when the printer driver is accessed from the operating system, so you should access the printer driver from your application to make sure that you get the result you want.

Note:

Online help provides details on printer driver settings.

- ❑ To access the printer driver from your application, click Print or Page Setup on the File menu on your application. Then click Setup, Options, Properties, or a combination of these buttons on the dialog box that appears.
- ❑ To access the printer driver from Windows, click Start, point to Settings, and click Printers. Next, right-click the EPSON AL-C4000 Advanced icon and click Properties (in Windows Me, 98 or 95), Printing Preferences (in Windows XP or 2000) or Document Defaults (in Windows NT 4.0).

Making Changes to Printer Settings

Making the print quality setting

You can change the print quality of printouts through settings in the printer driver. The printer driver provides you with the choice of letting the printer make the settings automatically, choosing from a list of predefined settings, or customizing the settings.

Choosing the print quality by using the Automatic setting

You can change the print quality of printouts to favor speed or detail. If you need high quality output, choose a higher number. Please note that doing so reduces the print speed.

When the Automatic button is selected in the Basic Settings menu, the printer driver takes care of all detailed settings according to the color setting you select. Color and resolution are the only settings you have to make. You can change other settings such as paper size or orientation in most applications.

Note:

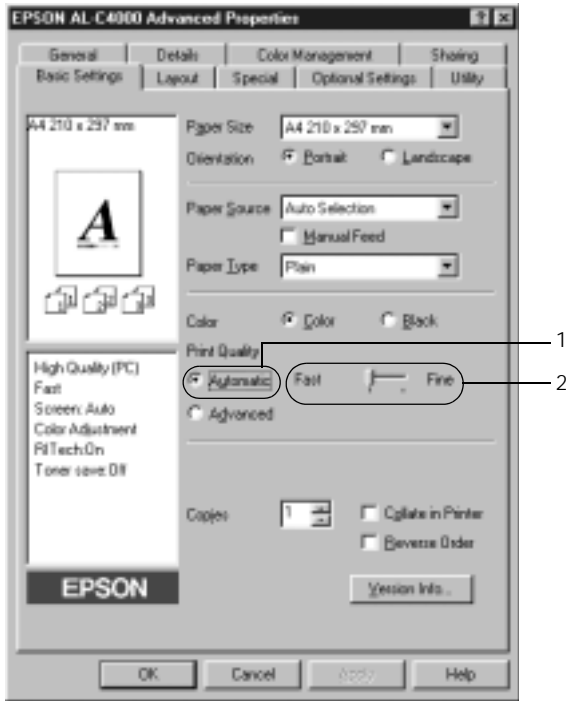
Online help provides more information on printer driver settings.

There are three levels of print output, 300 dpi, 600 dpi and 1200 dpi. 1200 dpi provides high quality, precise printing, but requires more memory and slows the printing speed.

Note:

- 1200-dpi printing is available only when the emulation mode is ESC/Page, ESC/Page Color or PS3.*
 - When you want to set the print quality to 1200-dpi, click the Advanced button in the Basic Settings menu, then set the print quality setting to 1200 dpi in the More Settings dialog box.*
1. Click the Basic Settings tab.

2. Click the Automatic button. Then choose desired printing resolution from Fast (300 dpi) or Fine (600 dpi) with the slider bar.



3. Click OK to accept the setting.

Note:

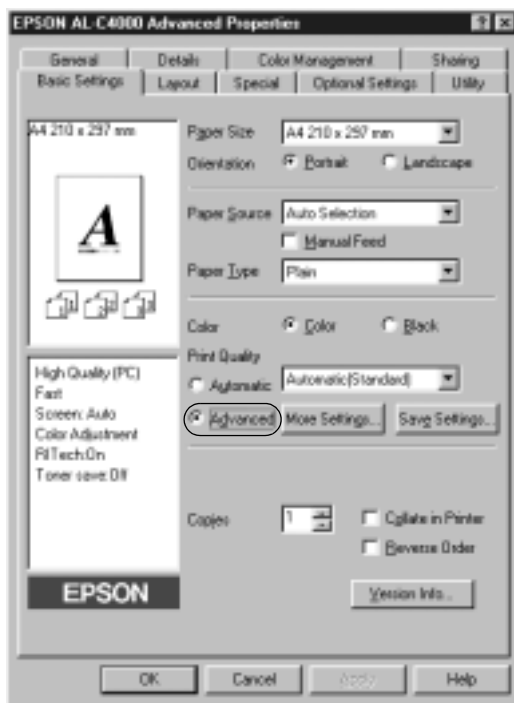
If printing is unsuccessful or a memory-related error message appears, selecting a lower resolution may allow printing to proceed.

Using the predefined settings

The predefined settings are provided to help you optimize print settings for a particular kind of printout, such as presentation documents or images taken by a video or digital camera.

Follow these steps to use the predefined settings.

1. Select the **Advanced** button on the **Basic Settings** menu. You will find the predefined settings in the list on the right of the **Automatic** button.



Note:

This screen is a Windows Me, 98 and 95 screen.

2. Select the most appropriate setting from the list according to the type of document or image you want to print.

When you choose a predefined setting, other settings such as Printing Mode, Resolution, Screen, and Color Management are set automatically. Changes are shown in the current settings list on the left of the Basic Settings menu.

This printer driver provides the following predefined settings:

Automatic (Standard)

Suitable for regular printing, especially photos.

Text/Graph

Suitable for printing documents that include text and graphs, such as presentation documents.

Graphic/CAD

Suitable for printing graphs and charts.

Photo

Suitable for printing photos.

PhotoEnhance4

Suitable for printing video captures, images taken with a digital camera, or scanned images. EPSON PhotoEnhance 4 automatically adjusts the contrast, saturation, and brightness of the original image data to produce sharper, more vivid color printouts. This setting does not affect your original image data.

ICM (Except for Windows NT 4.0)

ICM stands for Image Color Matching. This feature automatically adjusts printout colors to match colors on your screen.

sRGB

When using equipment which supports sRGB, the printer performs Image Color Matching with these pieces of equipment before printing. To confirm that your equipment supports sRGB, contact your equipment dealer.

Automatic (High Quality)

Suitable for printing high-quality printing documents.

Advanced Text/Graph

Suitable for printing high-quality presentation documents that include text and graphs.

Advanced Graphic/CAD

Suitable for printing high-quality graphs, charts, and photos.

Advanced Photo

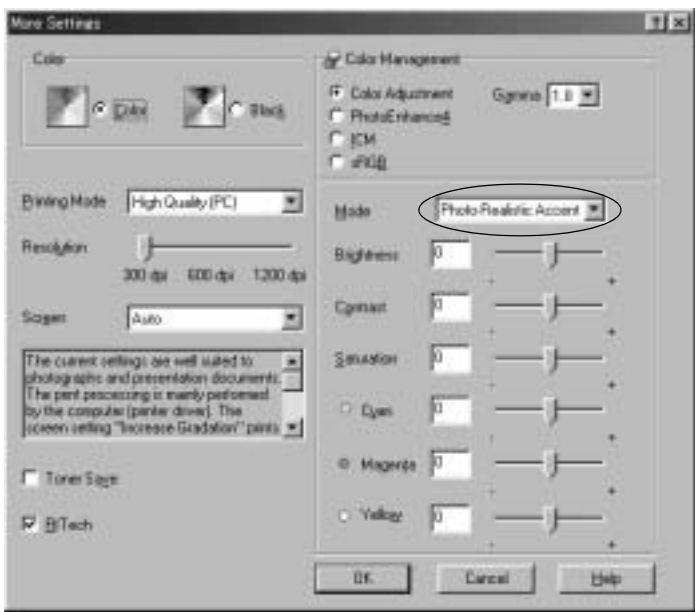
Suitable for printing high-quality scanned photos and digitally-captured images.

Customizing print settings

If you need to change detailed settings, make the settings manually.

Follow these steps to customize your print settings.

1. Click the Advanced button in the Basic Settings menu, then click More Settings. The following dialog box appears.



Note:
This screen is a Windows Me, 98, and 95 screen.

2. Choose Color or Black as the Color setting.
3. Choose desired printing resolution from 300 dpi, 600 dpi or 1200 dpi with the Resolution slider bar, then make other settings. For details on each settings, see online help.

Note:
A warning is displayed when choosing 1200 dpi. Click OK to close the warning.

4. Click OK to apply your settings and return to the Basic Settings menu. Click Cancel to return to the Basic Settings menu without applying your settings.

Saving your settings

To save your custom settings, click the Advanced button and click Save Settings on the Basic Settings menu. The Custom Settings dialog box appears.

Type a name for your custom settings in the Name box, and click Save. Your settings will appear in the list to the right of the Automatic button in the Basic Settings menu.

Note:

- You cannot use a predefined setting name for your custom settings.*
- To delete a custom setting, click the Advanced button and click Save Settings in the Basic Settings menu, select the setting in the Custom Settings dialog box and then click Delete.*
- You cannot delete predefined settings.*

If you change any setting in the More Settings dialog box when one of your custom settings is selected in the Advanced Settings list on the Basic Settings menu, the setting selected in the list changes to Custom Settings. The custom setting that was previously selected is not affected by this change. To return to your custom setting, simply reselect it from the current settings list.

Resizing printouts

You can have your document enlarged or reduced during printing.

To automatically resize pages to fit the output paper

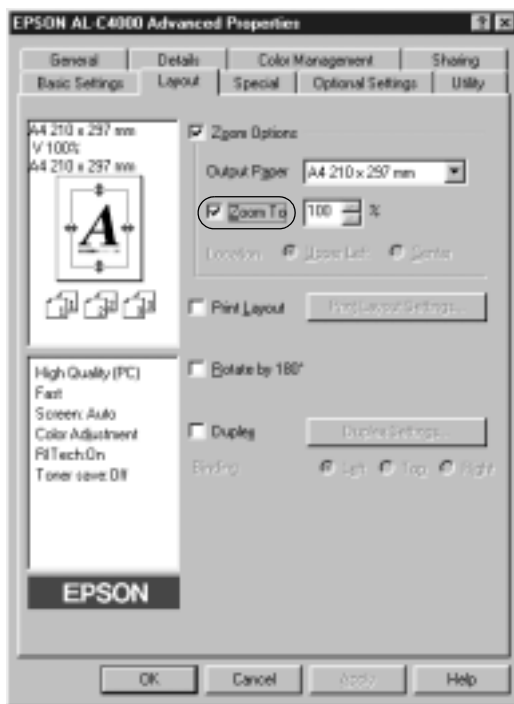
1. Click the Layout tab.
2. Select the Zoom Options check box.



3. Select the desired paper size from the Output Paper drop-down list. The page will be printed to fit on the paper you have selected.
4. Click the Upper Left button (to print reduced page image at upper left corner of the paper) or the Center button (to print reduced page image with centering) for Location setting.
5. Click OK to accept the settings.

To resize pages by a specified percentage:

1. Click the Layout tab.
2. Select the Zoom Options check box.
3. Select the Zoom To check box.



4. Specify the magnification percentage in the box, then click OK. The percentage can be set between 50% and 200% in 1% increments.

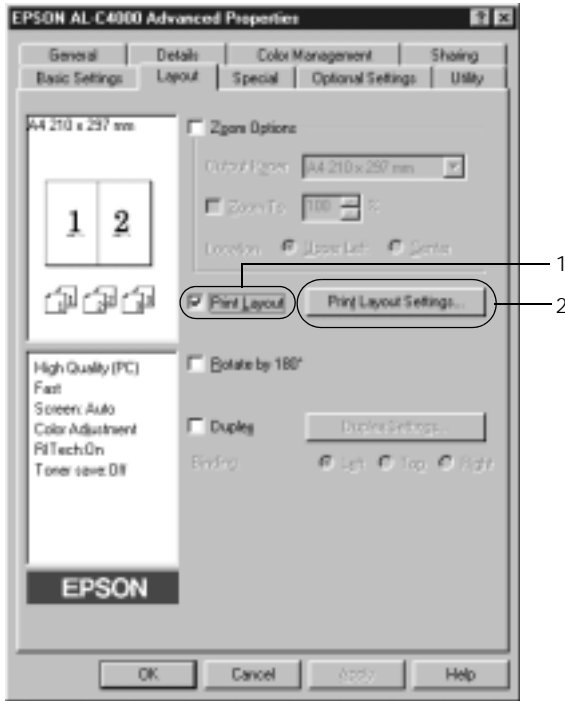
If necessary, select the paper size to be printed from the Output Paper drop-down list.

Modifying the print layout

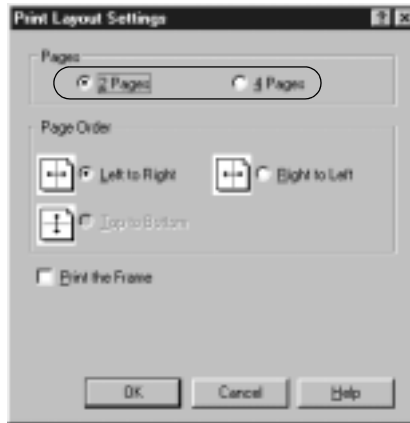
You can print either two or four pages onto a single page and specify the printing order, automatically resizing each page to fit the specified paper size by using Layout printing. You can also choose to print documents surrounded by a frame.

1. Click the Layout tab.
2. Select the Print Layout check box, and click Print Layout Settings. The Print Layout Settings dialog box appears.

3



3. Select the number of pages you want to print on one sheet of paper.



4. Select the Page Order in which the pages are printed on each sheet. Select the Print the Frame check box when you want to print the pages surrounded by a frame.

Note:

The Page Order choices depend on the number of pages selected above, and the paper orientation (Portrait or Landscape) selected on the Basic Settings menu.

5. Click OK to close the Print Layout Settings dialog box.
6. Click OK on the Layout menu to accept the settings.

Using a watermark

Follow the steps to use a watermark on your document. In the Watermark dialog box, you can select from a list of predefined watermarks, or you can make an original watermark with text or a bitmap (.BMP). The Watermark dialog box also allows you to make a variety of detailed watermark settings. For example, you can select the size, intensity, and position of your watermark.

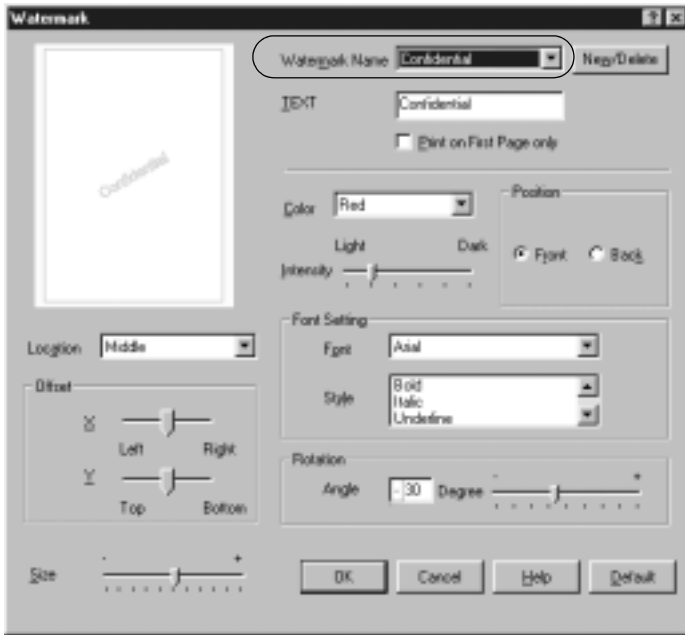
3

1. Click the Special tab.
2. Select the Watermark check box.



3. Click Watermark Settings. The Watermark dialog box appears.

4. Select a watermark from the Watermark Name drop-down list.



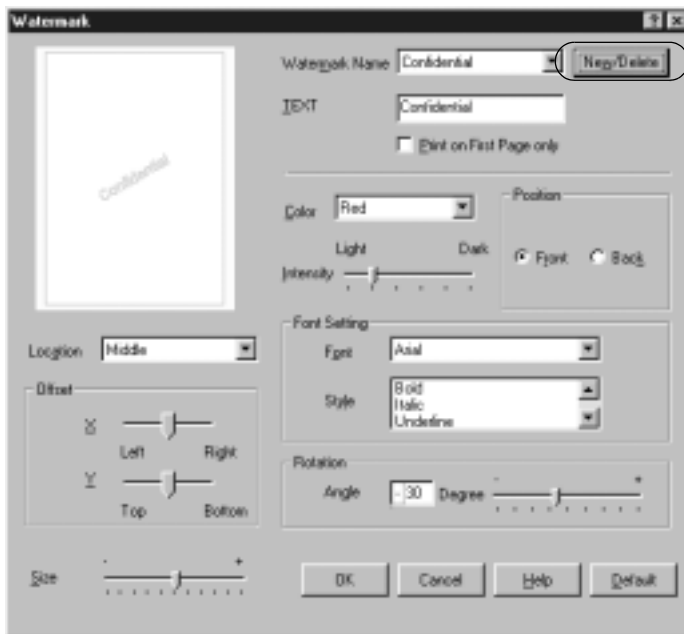
5. Select the location on the page where you want to print the watermark from the Location drop-down list.
6. Adjust the horizontal or vertical Offset position.
7. Select the color from the Color drop-down list.
8. Adjust the image intensity of the watermark with the Intensity slider bar.
9. Adjust the size of the watermark with the Size slider bar.
10. Select Front (to print the watermark in the foreground of the document) or Back (to print the watermark in the background of the document) for the Position setting.

11. Click OK to accept the settings.

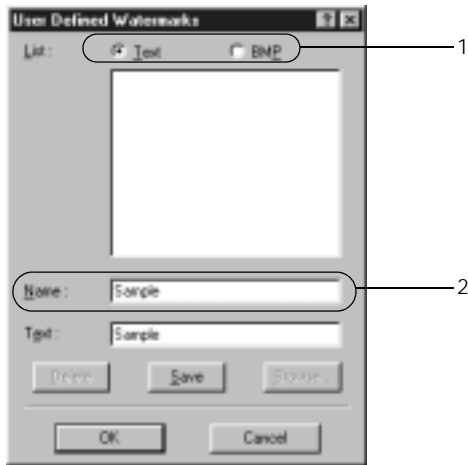
Making a new watermark

You can make a new watermark as follows:

1. Click the Special tab.
2. Select the Watermark check box.
3. Click Watermark Settings. The Watermark dialog box appears.
4. Click New/Delete. The User Defined Watermarks dialog box appears.



5. Select the Text button or the BMP button and type a name for the new watermark in the Name box.



Note:

This screen appears when you select the Text button.

6. If you select Text, type the watermark text in the Text box. If you select BMP, click Browse, select the BMP file you want to use, then click OK.
7. Click Save. Your watermark will appear in the List box.
8. Click OK to register the new watermark settings.

Note:

You can register up to 10 watermarks.

Using an overlay

The Overlay Settings dialog box allows you to prepare standard forms, or templates, that you can use as overlays when printing other documents. This feature can be useful for creating corporate letterheads or invoices.

Note:

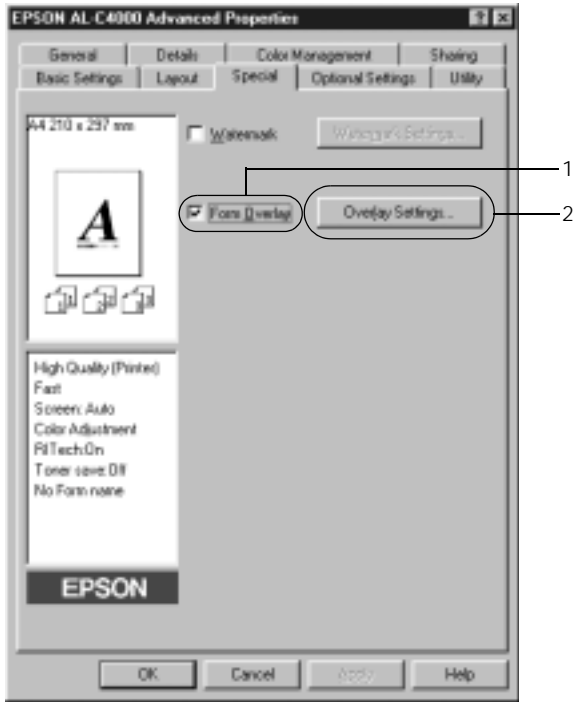
The overlay function is available only when High Quality (Printer) is selected as the Printing Mode in the More Settings dialog box.

Creating an overlay

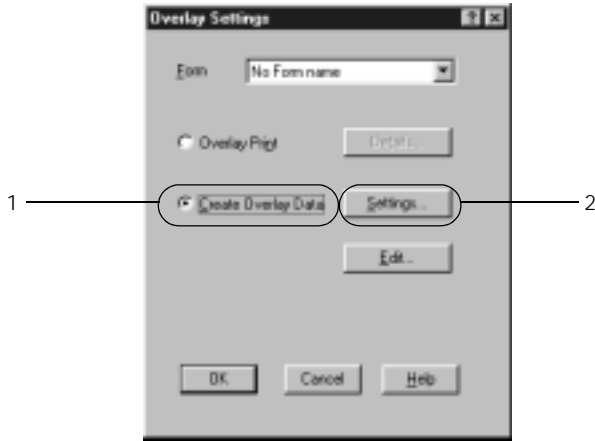
Follow these steps to create and save a form overlay file.

1. Open your application and create the file that you want to use as an overlay.
2. When the file is ready to be saved as an overlay, choose Print or Print Setup from the File menu of your application. Then click Printer, Setup, Options, or Properties, or click a combination of these buttons, depending on your application.
3. Click the Special tab.

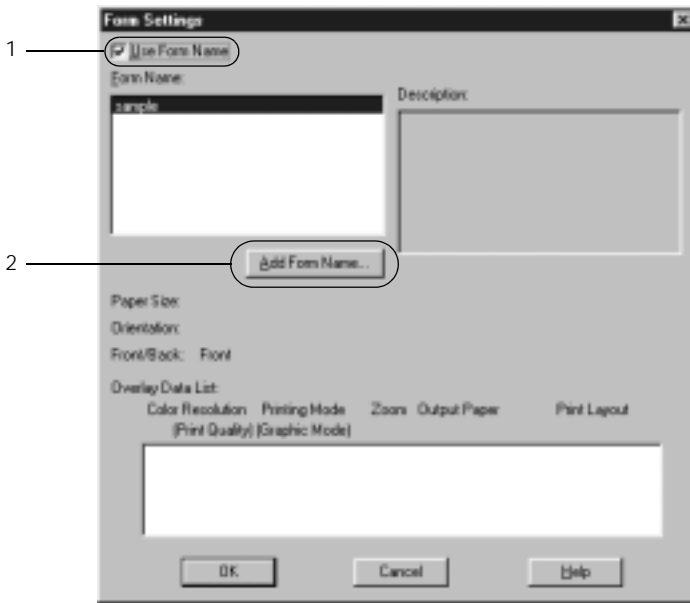
4. Select the Form Overlay check box, and click Overlay Settings to open the Overlay Settings dialog box.



5. Click the Create Overlay Data button, then click Settings. The Form Settings dialog box appears.



6. Select the Use Form Name check box. Then click Add Form Name. The Add Form Name dialog box appears.



7. In the Add Form dialog box, type the form name in the Form Name box and its description in the Description box.



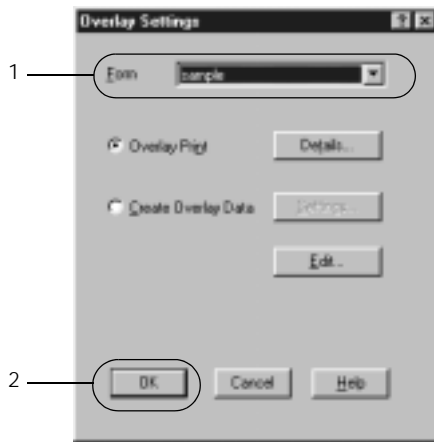
8. Click the To Front or To Back button to specify whether the overlay will be printed as background or foreground of the document.
9. In the Add Form dialog box, click Register.
10. In the Form Settings dialog box, click OK.
11. In the Overlay Settings dialog box, click OK.
12. Print the file saved as overlay data. It is possible to save any kind of file as an overlay. The overlay data is created.

Printing with an overlay

Follow the steps to print a document with overlay data.

1. Open the file to print with overlay data.

2. From the application, access the printer driver. Open the File menu and choose Print or Print Setup. Then click Printer, Setup, Options, or Properties, or click a combination of these buttons, depending on the application you use.
3. Click the Special tab.
4. Select the Form Overlay check box, and click Overlay Settings to open the Overlay Settings dialog box.
5. In the Overlay Settings dialog box, choose the form from the Form drop-down list, then click OK.



6. Click OK to print the data.

Different printer settings overlay data

The overlay data is made with the current printer settings (such as Resolution: 600 dpi). If you want to make the same overlay with different printer settings (such as 300 dpi), follow the instructions below.

1. Re-access the printer driver as described in step 2 in “Creating an overlay” on page 65.
2. Make the printer settings and exit the printer driver.
3. Send the same data that you made by application to the printer like step 12 in “Creating an overlay” on page 65.

This setting is available only for Form Name data.

Using HDD form overlay

This function enables faster printing with form overlay data. Windows users can use the form data registered in the optional Hard Disk Drive installed in the printer though only an administrator can register or delete the form data in the Hard Disk Drive. You can access this function from the Form Selection dialog box in the printer driver.

Note:

- This function is not available when the Color setting is set to Black in the printer driver's Basic Settings menu.*
- This function is not available if the optional Hard Disk Drive is not installed.*
- Use this function by inputting the registered form name after printing the Print List.*
- When the document's resolution, paper size or paper orientation settings are different from the form overlay data that you use, you cannot print the document with the form overlay data.*
- This function is not available when the resolution is set to 1200-dpi.*
- This function is available in the ESC/Page Color mode.*

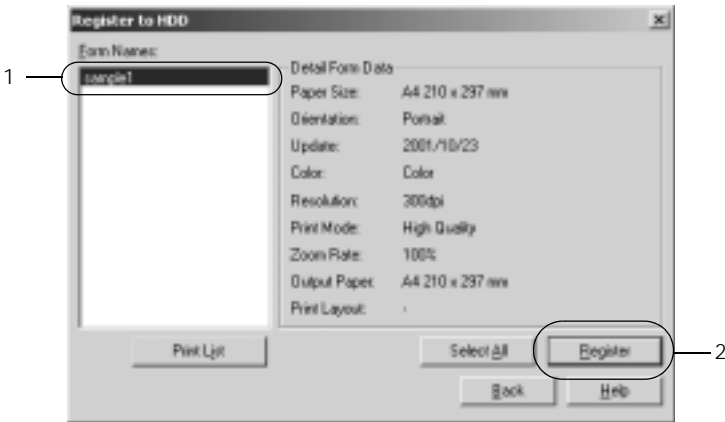
Register the form overlay data to the Hard Disk Drive

Only a network administrator using Windows XP, 2000 or NT 4.0 is admitted to register the form overlay data to the optional Hard Disk Drive. Follow these steps to register.

Note:

- Only form names that can be registered appear in the Form Name list.*
 - Form names that contain characters other than letters and numbers are not displayed in the Form Name list.*
 - Monochrome form overlay data that has been made on a monochrome printer or printer in a black mode is not displayed.*
1. Prepare the form overlay data to register in the local PC Hard Disk Drive.
 2. Login as an administrator to Windows XP, 2000 or NT 4.0.
 3. Click Start, point to Settings, and click Printers. Next, right-click the EPSON AL-C4000 Advanced icon and click Properties.
 4. Click the Optional Settings tab.
 5. Click Register. The Register to HDD dialog box appears.

6. Select the overlay data name from the Form Names list, then click Register.



7. If you distribute a form data list to the clients, click Print List to print the list.
8. Click Back to close the Register to HDD dialog box.

Printing with a HDD form overlay

All Windows users can use the registered form data in the optional Hard Disk Drive. Follow these steps to print with HDD form data.

1. Click the Special tab.
2. Select the Form Overlay check box, and click Overlay Settings to open the Overlay Settings dialog box.
3. Click Details. The Form Selection dialog box appears.

4. Click the Printer's HDD button, then enter the registered form name. If you need the list of the registered form data, click Print List to print it and confirm the form name.



5. Choose To Back or To Front to print the form data as background or foreground of the document.
6. Click OK to print data.

Delete the form overlay data in the Hard Disk Drive

Only a network administrator using Windows XP, 2000 or NT 4.0 is allowed to delete or edit the form overlay data in the optional Hard Disk Drive. Follow these steps to delete.

1. Login as an administrator to Windows XP, 2000 or NT 4.0.
2. To access the printer driver from Windows, click Start, point to Settings, and click Printers. Next, right-click the EPSON AL-C4000 Advanced icon and click Properties.
3. Click the Optional Settings tab.

4. Click Delete. The Delete from HDD dialog box appears.
5. If you delete all form data, click the Delete All button, then click Delete. If you want to delete some specific data, click the Delete Selected button, enter the form name in the Form Name edit box, then click Delete.

Note:

If you need the list of the registered form data, click Print List to print it and confirm the form name.



6. Click Back.
7. Click OK to close the dialog box.

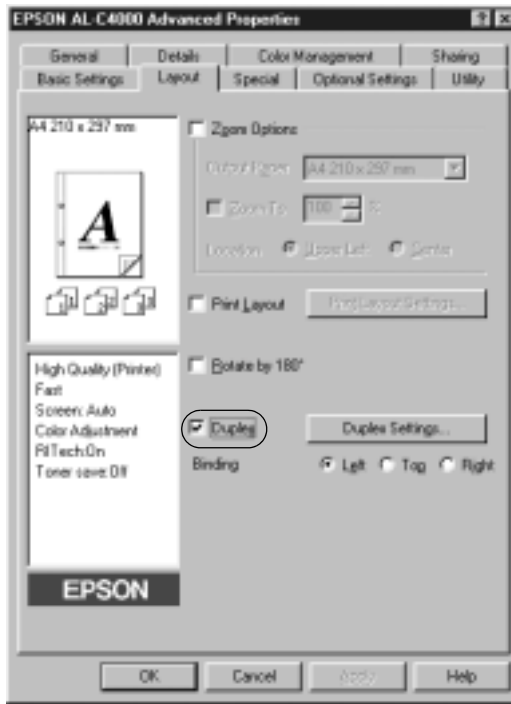
Printing with the duplex unit

Duplex printing prints on both sides of the paper. When printing for binding, the binding edge can be specified as required to produce the desired page order.

As an ENERGY STAR® partner, EPSON recommends the use of the double-sided printing function. Refer to ENERGY STAR® Compliance for more information on the ENERGY STAR® program.

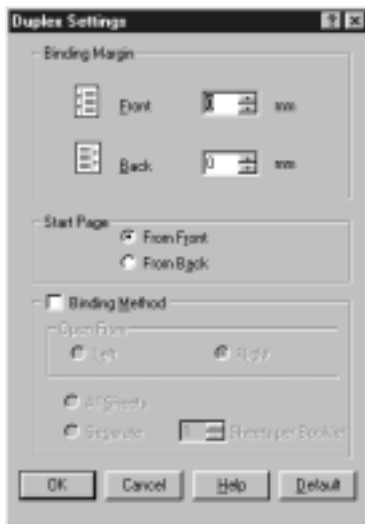
1. Click the Layout tab.

2. Select the Duplex check box.



3. Select the Left, Top, or Right button as a Binding Position.
4. Click Duplex Settings to open the Duplex Settings dialog box.

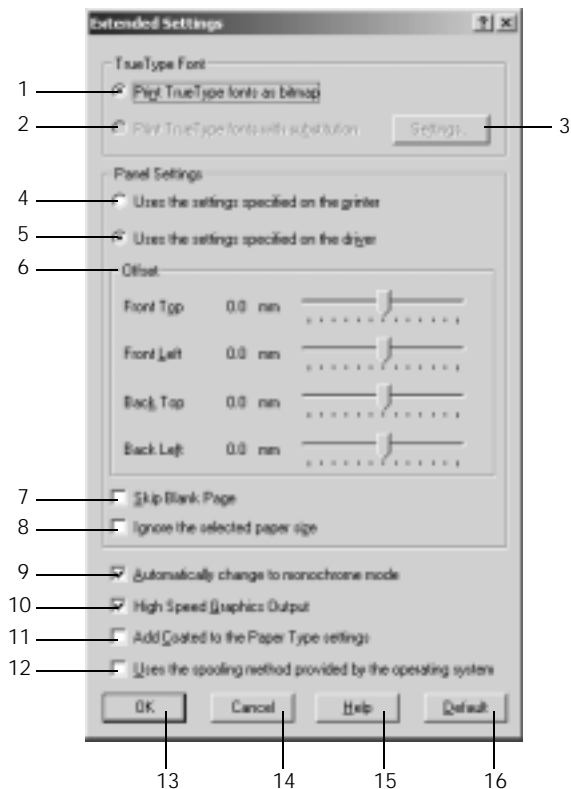
5. Specify the Binding Margin for the front and back sides of the paper.



6. Select whether the front or back side of the paper is to be printed as the Start Page.
7. When printing for binding as a booklet, click the Binding Method check box and make appropriate settings. For details about each settings, see online help.
8. Click OK to close the Duplex Settings dialog box.
9. Click OK on the Layout menu to accept the settings.

Making the Extended Settings

You can make detailed settings such as font setting or offset setting in the Extended Settings dialog box. To open the dialog box, click Extended Settings on the Optional Settings menu.



Note:

This screen is a Windows 2000 screen. The settings vary according to the OS you use.

1. Print True Type fonts as bitmap **button**:
Select this button to print, as bitmap, the True Type fonts that are not substituted with device fonts in the document.
2. Print True Type fonts with substitution **button**:
Select this button to print the True Type fonts in the document as device fonts. This function is not available when the printing mode setting on the More Settings dialog box is set to CRT or High Quality (PC). For details about the printing mode setting, see “Customizing print settings” on page 54.
3. Settings **button**:
Clicking this button to open the Font Substitution dialog box. This button is available when the Print True Type fonts with substitution button is selected.
4. Uses the settings specified on the printer **button**:
Select this button to use the Offset, the Skip blank page, and the Ignore the selected paper size settings on the control panel.
5. Uses the settings specified on the driver **button**:
Select this button to use the Offset, the Skip blank page, and the Ignore the selected paper size settings in the printer driver.
6. Offset:
Makes fine adjustments to the printing position on the front and the back of data on a page in 1 mm increments.

- | | |
|---|--|
| 7. Skip Blank Page check box: | This feature enables you to not print blank pages. |
| 8. Ignore the selected paper size check box: | When you select this check box, the printer prints on loaded paper, regardless of size. |
| 9. Automatically change to monochrome mode check box: | Select this check box to have the printer driver analyze the printing data, and automatically switch to monochrome mode if the printing data is black and white. |
| 10. High Speed Graphics Output check box: | Select this check box to optimize the printing speed of graphics composed of line drawings such as overlaid circles and squares.

Clear this check box if graphics do not print correctly. |
| 11. Add Coated to the Paper Type settings check box: | When you select this check box, Coated appears in the Paper Type list on the Basic Settings menu and become available. |
| 12. Uses the spooling method provided by the operation system check box: | Select this check box to enable the Spool function for Windows XP, 2000 and NT 4.0. |
| 13. OK button: | Clicking this button saves your settings and exits the dialog box or printer driver. |
| 14. Cancel button: | Clicking this button exits the dialog box or printer driver without saving your settings. |

15. Help button: Clicking this button opens online help.
16. Default button: Clicking this button returns the driver settings to the initial settings.

Using the Reserve Job Function

The Reserve Job function allows you to store print jobs in the printer's Hard Disk Drive and to print them later directly from the printer's control panel. Follow the instructions in this section to use the Reserve Job function.

Note:

You need an optional Hard Disk Drive installed in your printer in order to use the Reserve Job function. Make sure that the drive is correctly recognized by the printer driver before you start using the Reserve Job function.

The table below shows an overview of the Reserve Job options. Each option is described in detail later in this section.

Reserve Job Option	Description
Re-Print Job	Lets you print the job now and store it for later reprinting.
Verify Job	Lets you print one copy now to verify the content before printing multiple copies.
Stored Job	Lets you save the print job without printing it now.
Confidential Job	Lets you apply a password to the print job and save it for later printing.

Jobs stored in the Hard Disk Drive are handled differently depending on the Reserve Job option. Refer to the tables below for details.

Reserve Job Option	Maximum Number of Jobs	When Maximum is Exceeded	When Drive is Full
Re-Print Job + Verify Job	64 (combined total)	Oldest job automatically replaced with newest	Oldest job automatically replaced with newest
Stored Job	64	Delete old jobs manually	Delete old jobs manually
Confidential Job	64		

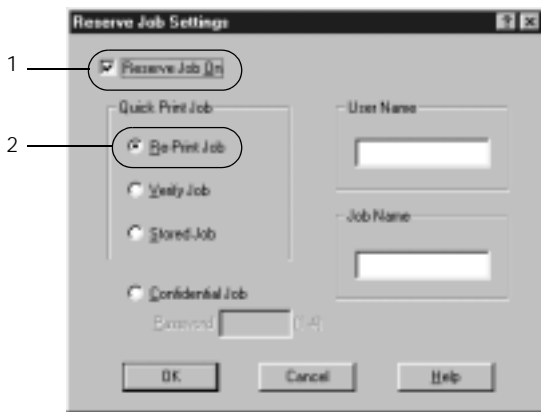
Reserve Job Option	After Printing	After Turning Off Printer or Using Reset All
Re-Print Job	Data remains in hard drive	Data is cleared
Verify Job		
Stored Job		Data remains in hard drive
Confidential Job	Data is cleared	Data is cleared

Re-Print Job

The Re-Print Job option allows you to store the job you are currently printing so that you can reprint it later directly from the control panel.

Follow these steps to use the Re-Print Job option.

1. Select the Collate in Printer check box on the Basic Settings menu in the printer driver, and make printer driver settings as appropriate for your document.
2. Click the Optional Settings tab and click Reserve Jobs Settings. The Reserve Job Settings dialog box appears.
3. Select the Reserve Job On check box and click the Re-Print Job button.



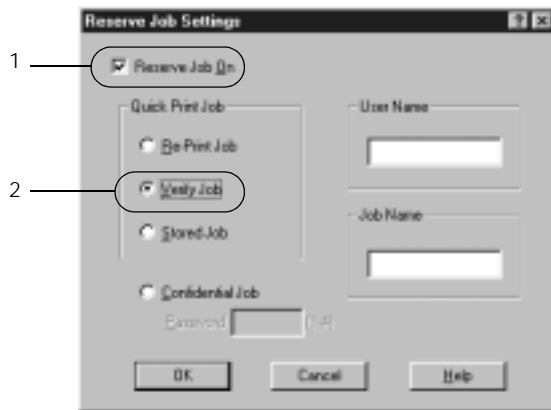
4. Enter a user name and job name in the corresponding text boxes.
5. Click OK. The printer prints your document, and stores the print job data on the Hard Disk Drive. To reprint or delete this data using the printer's control panel, see "Printing and Deleting Reserve Job Data" on page 174.

Verify Job

The Verify Job option allows you to print one copy in order to verify the content before printing multiple copies.

Follow these steps to use the Verify Job option.

1. Select the Collate in Printer check box on the Basic Settings menu in the printer driver. Specify the number of copies to be printed, and make other printer driver settings as appropriate for your document.
2. Click the Optional Settings tab and click Reserve Jobs Settings. The Reserve Job Settings dialog box appears.
3. Select the Reserve Job On check box and click the Verify Job button.



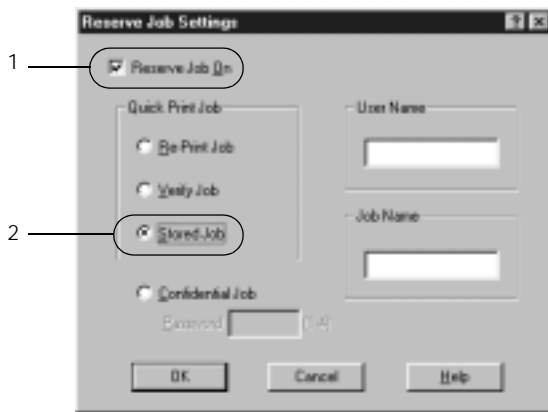
4. Enter a user name and job name in the corresponding text boxes.
5. Click OK. The printer prints one copy of your document, and stores the print data with information on the number of remaining copies on the Hard Disk Drive. After you have confirmed the printout, you can print the remaining copies or delete this data using the printer's control panel. See "Printing and Deleting Reserve Job Data" on page 174 for instructions.

Stored Job

The Stored Job option is useful for storing documents you print on a regular basis, such as invoices. The stored data remains on the Hard Disk Drive even if you turn off the printer or reset it using the Reset All function.

Follow these steps to store print data using the Stored Job option.

1. Select the Collate in Printer check box on the Basic Settings menu in the printer driver, and make printer driver settings as appropriate for your document.
2. Click the Optional Settings tab and click Reserve Jobs Settings. The Reserve Job Settings dialog box appears.
3. Select the Reserve Job On check box, and click the Stored Job button.



4. Enter a user name and job name in the corresponding text boxes.

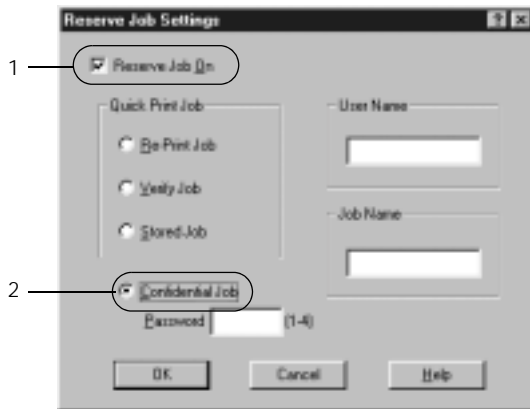
5. Click OK. The printer stores the print data in the Hard Disk Drive. To print or delete this data using the printer's control panel, see "Printing and Deleting Reserve Job Data" on page 174.

Confidential Job

The Confidential Job option allows you to apply passwords to print jobs stored on the Hard Disk Drive.

Follow these steps to store print data using the Confidential Job option.

1. Select the Collate in Printer check box on the Basic Settings menu in the printer driver, and make printer driver settings as appropriate for your document.
2. Click the Optional Settings tab and click Reserve Jobs Settings. The Reserve Job Settings dialog box appears.
3. Select the Reserve Job On check box and click the Confidential Job button.



4. Enter a user name and job name in the corresponding text boxes.
5. Set the password for the job by entering a 4-digit number in the password text box.

Note:

- Passwords must be 4 digits.*
 - Only numbers from 1 through 4 can be used for passwords.*
 - Keep passwords in a safe place. You must enter the correct password when printing a Confidential Job.*
6. Click **OK**. The printer stores the print job in the Hard Disk Drive. To print or delete this data using the printer's control panel, see "Printing and Deleting Reserve Job Data" on page 174.

Monitoring Your Printer by Using EPSON Status Monitor 3

About EPSON Status Monitor 3

EPSON Status Monitor 3 is a utility program that monitors your printer and gives you information about its current status. For example, you can find out the amount of remaining toner or the remaining functional life of the photoconductor unit through this utility. If a print error occurs, the utility provides you with a message describing the error. EPSON Status Monitor 3 is accessed from within the printer driver. See the following section for more information.

Note for Windows XP users:

Shared Windows XP LPR connections and shared Windows XP Standard TCP/IP connections with Windows 6 clients do not support the Job Management function.

Before using EPSON Status Monitor 3, be sure to read the printer driver's README file. This file contains the latest information on the printer driver and EPSON Status Monitor 3.

Installing EPSON Status Monitor 3

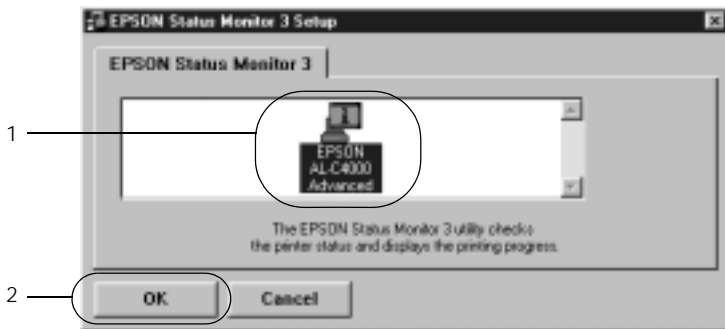
Follow these steps to install EPSON Status Monitor 3.

1. Insert the printer software CD-ROM in the CD-ROM drive. The Installation Program screen appears as shown below:



If it does not appear, double-click the My Computer icon. Click the CD-ROM icon, then select Open from the File menu. Then double-click Epsetup.exe.

2. In the Installation Program screen, double-click Install EPSON Status Monitor 3. Alternatively, you can install it by selecting Install EPSON Status Monitor 3 and then clicking the arrow at the top right.
3. In the dialog box that appears, make sure that your printer's icon is selected, and click OK. This automatically installs the utility program.



4. When the installation is complete, click OK.

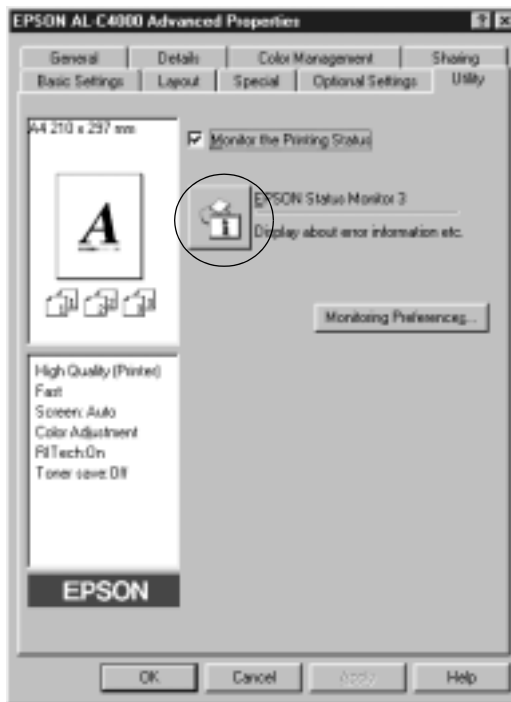
Accessing EPSON Status Monitor 3

EPSON Status Monitor 3 monitors the printer during printing and while the EPSON Status Monitor 3 dialog box is open.

You can access EPSON Status Monitor 3 directly from any application programs, or from your Windows operating system.

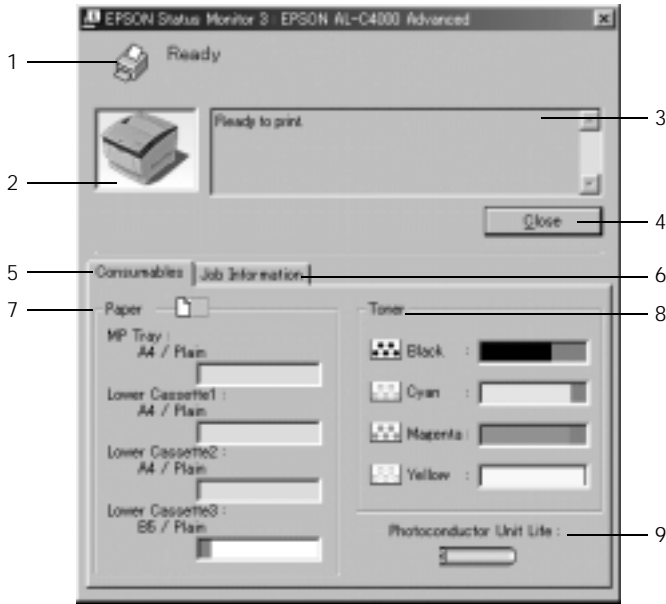
- ❑ To access EPSON Status Monitor 3 from your application, click Print or Page Setup from the File menu. You also need to click Setup, Options, Properties, or a combination of these buttons.
Then click the Utility tab, and click the EPSON Status Monitor 3 icon to start EPSON Status Monitor 3.

- ❑ To access EPSON Status Monitor 3 from Windows, click Start, point to Settings, and click Printers. Next, right-click the EPSON AL-C4000 Advanced icon, and click Properties (in Windows Me, 98, and 95), Printing Preferences (in Windows XP and 2000) or Document Defaults (in Windows NT 4.0). Then click the Utility tab, and click the EPSON Status Monitor 3 icon to start EPSON Status Monitor 3.



Getting printer status details

You can monitor printer status and obtain information on consumable products using the EPSON Status Monitor 3 dialog box.



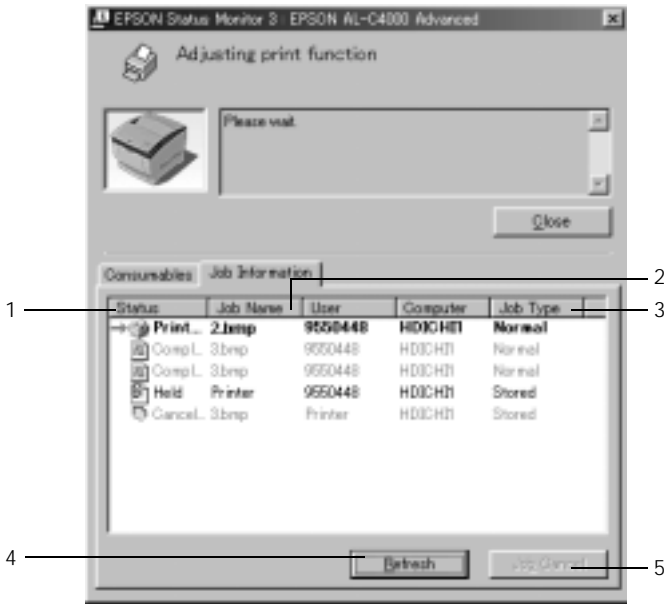
1. **Icon/Message:** The icon and message shows the printer status.
2. **Printer image:** The image at the upper left shows the printer status graphically.
3. **Text box:** The text box next to the printer image displays the current status of the printer. When a problem occurs, the most probable solution is displayed.

4. Close button: Clicking this button closes the dialog box.
5. Consumables tab: Clicking this tab displays the consumable's status such as amount of paper or toner remaining.
6. Job Information tab: Clicking this tab displays the print job information. This tab is displayed when the Show job information check box on the Monitoring Preferences dialog box is selected.
7. Paper: Displays the paper size, paper type, and the approximate amount of paper remaining in each paper sources. Information for the optional cassettes are displayed only if this option is installed.
8. Toner: Indicates the amount of remaining toner. The toner icon flashes if toner is low (10 percent or less).
9. Photoconductor Unit: Indicates the remaining functional life of the photoconductor unit.

Using the Job Management function

You can obtain information on the print jobs on the Job Information menu on the EPSON Status Monitor 3 dialog box.

To display the Job Information menu, select the Show job information check box on the Monitoring Preferences dialog box. Then click the Job Information tab on the EPSON Status Monitor 3 dialog box.



- 1. Status:
 - Waiting: The print job which waiting to be printed.
 - Printing: The print job which is printed currently.
 - Completed: Displays only your jobs that have finished printing.
 - Canceled: Displays only your jobs that have been canceled printing.

- Held: The print job to be hold.
2. Job Name: Displays the user's print job file names. Other users print jobs are displayed as -----.
 3. Job Type: Displays the job type. When the Reserve job function is used, the jobs are displayed as Stored, Verify, Re-Print, and Confidential respectively. About the Reserve Job function, see "Using the Reserve Job Function" on page 81.
 4. Refresh button: Clicking this button refreshes the information on this menu.
 5. Job Cancel button: Selecting a print job and clicking this button, cancels the selected print job.

Supporting connection to use the Job Management function

The Job Management function is available when the following connections are used:

- When using the EPSON Net Direct Print TCP/IP connection (in Windows Me, 98, 95 and XP, 2000 or NT 4.0)
- When using the LPR connections (in Windows XP, 2000 and NT 4.0)
- When using standard TCP/IP connections (in Windows XP and 2000)
- Shared Windows XP, 2000 and NT 4.0 LPR connections and shared Windows XP and 2000 Standard TCP/IP connections with Windows XP, Me, 98, 95, 2000 and NT 4.0 clients

Note:

You can not use this function in the following situations:

- ❑ *When using an optional Ethernet interface card that doesn't support the Job Management function.*
- ❑ *When the NetWare connections do not support the Job Management function.*
- ❑ *When the printing jobs from NetWare and NetBEUI are displayed as "Unknown" on the Job Management menu.*
- ❑ *Note that if the user account used to log on to a client is different from the user account used to connect to the server, the Job Management function is not available.*

Setting to notify when printing is completed

When the Notify when printing completed check box is selected, the Notify when printing completed function can be used.

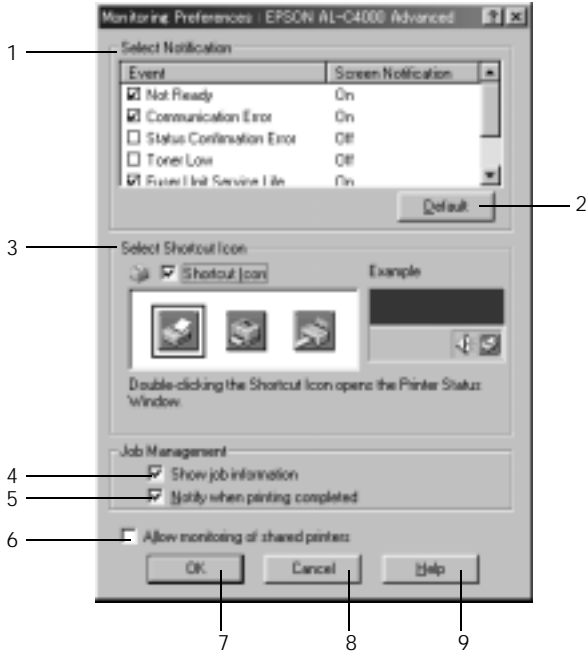
To use this function, click the specified print job from the print job list on the Job Information menu in the EPSON Status Monitor 3 dialog box. When the target job is completed, the Notify when printing completed dialog box appears.

Note:

When you canceled the target job, the Notify when printing completed dialog box does not appear.

Setting Monitoring Preferences

To make specific monitoring settings, click Monitoring Preferences in the Utility menu of the printer driver. The Monitoring Preferences dialog box appears.



The following settings and buttons appear in the dialog box:

1. **Select Notification:** Use the check boxes in this area to select the types of errors that you wish to be notified about.
2. **Default button:** Restores default settings.
3. **Select Shortcut Icon:** To use the shortcut icon, select the Shortcut Icon check box and choose an icon. The icon you select appears on the right side of the task bar.
Once the shortcut icon is in the task bar, you can double-click it to open the EPSON Status Monitor 3 dialog box. Alternatively, you can right-click the shortcut icon and select Monitoring Preferences to open the Monitoring Preferences dialog box, and EPSON AL-C4000 Advanced to open the EPSON Status Monitor 3 dialog box.
4. **Show job information:*** Displays the job information menu in the EPSON Status Monitor 3 window.
5. **Notify when printing completed:*** Displays the notification message when your print job is finished.
6. **Allow monitoring of shared printers check box:** To monitor a shared printer, select this check box. You need to make this setting on the server.
7. **OK button:** Saves new changes.
8. **Cancel button:** Cancels any changes.

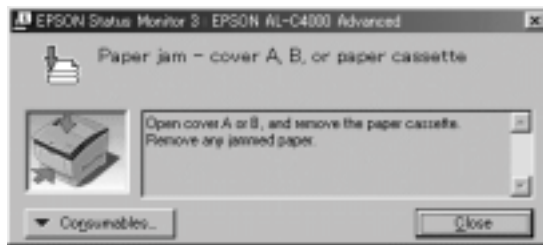
9. Help button: Opens online help for the Monitoring Preferences dialog box.

* These check boxes are displayed when confirming the connecting route to get the job information.

Status Alert window

The Status Alert window appears automatically when an error occurs. It indicates what type of error has occurred and offers you a possible solution. It closes automatically once the problem is cleared.

The Status Alert window opens under the conditions you select in the Monitoring Preferences dialog box.



If you wish to see information about printer consumables, click Consumables. Once this button is clicked, the Status Alert window will not disappear even after a problem is cleared. To close the window you need to click Close.

Stopping monitoring

You can stop monitoring the printing status by clearing the Monitor the Printing Status check box in the printer driver's Utility menu if you don't need to monitor the printer at all.

Note:

- ❑ *The Monitor the Printing Status **check box is displayed in the Utility menu of Document Defaults in Windows NT 4.0, or in the Utility menu of Printing Preference in Windows XP or 2000.***
- ❑ *You can find out the current printer status by clicking the EPSON Status Monitor 3 icon in the printer driver's Utility menu.*

Setting Monitored Printers

You can use Monitored Printers utility to change the type of printers that EPSON Status Monitor 3 will monitor. When you install EPSON Status Monitor 3, this utility is also installed. Usually, it is not necessary to change a setup.

1. Click Start, point to Programs, point to EPSON Printers, then click the Monitored printers.
2. Clear the check box of the printers which are not monitored.



3. Click OK to accept the setting.

Setting for the USB Connection

The USB interface that comes with your printer complies with Microsoft Plug and Play (PnP) USB specifications.

Note:

Only PC systems equipped with a USB connector and running Windows XP, Me, 98, and 2000 support the USB interface.

1. Click Start, point to Settings, then click Printers.
2. Right-click the EPSON AL-C4000 Advanced icon, and click Properties on the menu that appears.
3. Click the Details tab. In Windows XP or 2000, click the Port tab.

- 4. Select the appropriate USB port from the Print to the following port drop-down list. In Windows Me or 98, select EPUSB1 (EPSON AL-C4000 Advanced). In Windows XP or 2000, select USB001 in the list on the Ports menu.



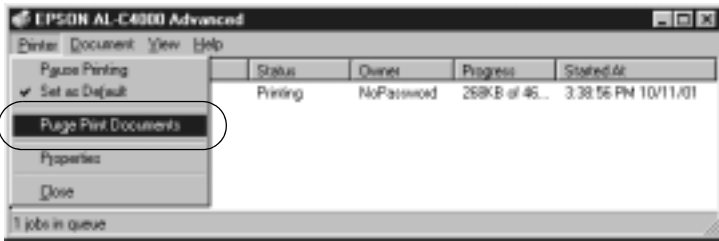
Note:
This screen is a Windows Me and 98 screen.

- 5. Click OK to save this setting.

Canceling Printing

If the printouts are not what you expected and display incorrect or garbled characters or images, you may need to cancel printing. When the printer icon is displayed on the taskbar, follow the instructions below.


Double-click the printer icon on the task bar, then click Purge Print Documents from the Printer menu.



After the last page is output, the Ready (green) light on the printer turns on.

The current job is canceled.

Note:

You can also cancel the current print job that is sent from the printer, by pressing the  Job Cancel button on the control panel. When canceling the print job, be careful not to cancel print jobs sent by other users.

Uninstalling the Printer Software

When you wish to reinstall or upgrade the printer driver, uninstall the printer driver that has been installed already.

Uninstalling the printer driver and EPSON Status Monitor 3

3

1. Quit all applications.
2. Click Start, point to Settings, and click Control Panel.
3. Double-click the Add/Remove Programs icon.



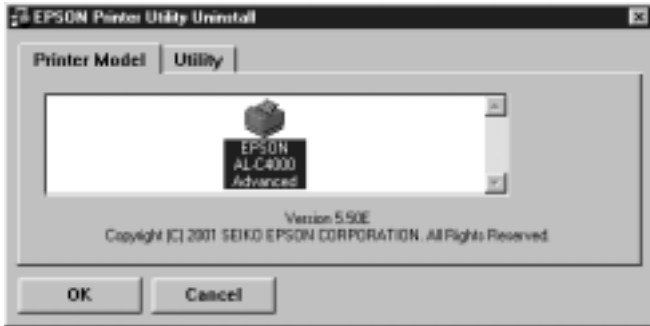
4. Select EPSON Printer Software, and click Add/Remove.



Note:

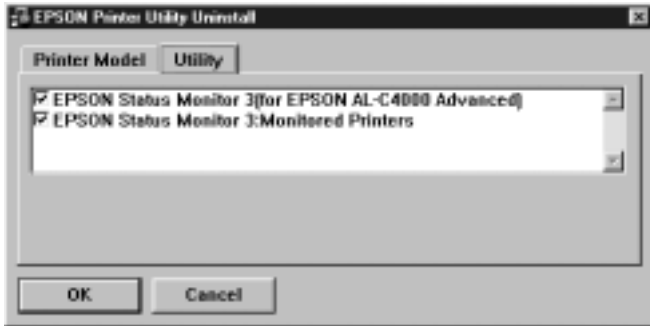
*When using Windows XP or 2000, click Change or Remove Programs, **select** EPSON Printer Software, **then click** Change/Remove.*

5. Click the Printer Model tab, and confirm the EPSON AL-C4000 Advanced icon is selected.



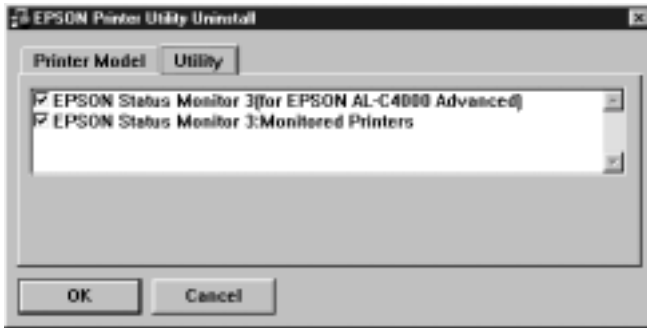
3

6. Click the Utility tab, and confirm the EPSON Status Monitor 3 check box is selected.



Note:
Select the EPSON Status Monitor 3 check box only when uninstalling EPSON Status Monitor 3.

7. If you uninstall the Monitored Printers utility, select the EPSON Status Monitor 3: Monitored Printers check box, and click OK.



Note:

You can uninstall only the Monitored Printers utility of EPSON Status Monitor 3. When the utility is uninstalled, you cannot change the setting of Monitored Printers from EPSON Status Monitor 3 of other printers.

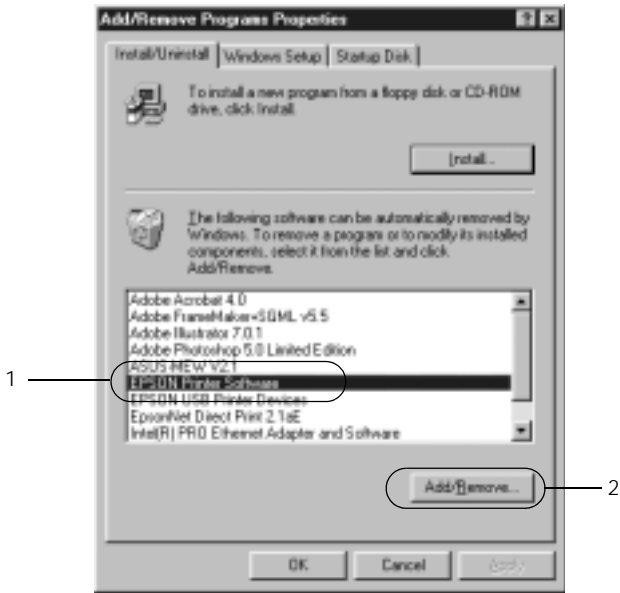
8. Follow the on-screen instructions.

Uninstall only EPSON Status Monitor 3

1. Quit all applications.
2. Click Start, point to Settings, then click Control Panel.
3. Double-click the Add/Remove Programs icon.



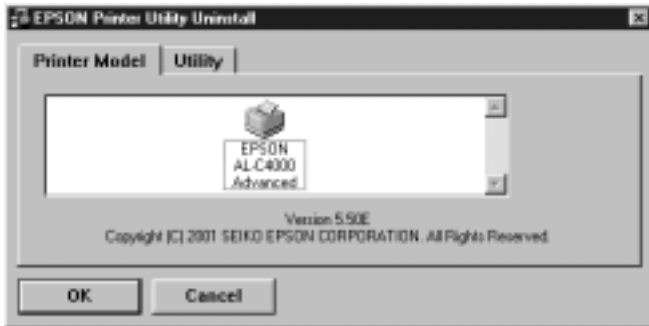
4. Select EPSON Printer Software, and click Add/Remove.



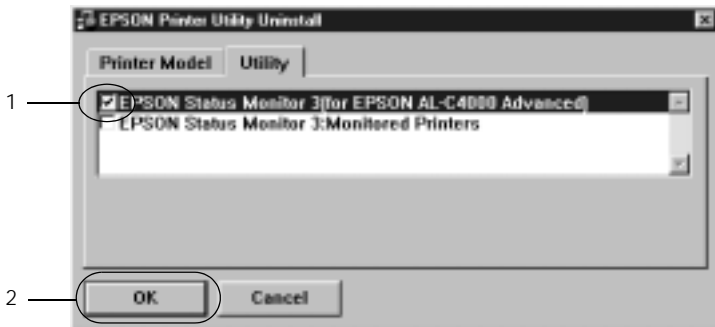
Note:

When using Windows XP or 2000, click Change or Remove Programs, select EPSON Printer Software, then click Change/Remove.

- To not uninstall the printer driver, click the white space to select no icon in the Printer Model menu.



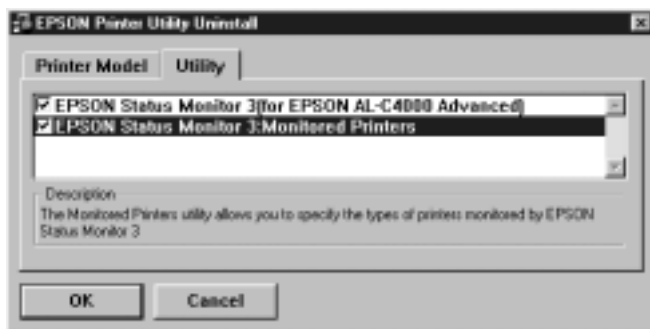
- Click the Utility tab, select the EPSON Status Monitor 3 check box, then click OK.



Note:

Select the EPSON Status Monitor 3 check box only when uninstalling EPSON Status Monitor 3.

7. If you uninstall the Monitored Printers, select the EPSON Status Monitor 3: Monitored Printers check box and click OK.



Note:

You can uninstall only the Monitored Printers utility of EPSON Status Monitor 3. When the utility is uninstalled, you cannot change the setting of Monitored Printers from EPSON Status Monitor 3 of other printers.

8. Follow the on-screen instructions.

Uninstall the USB device driver

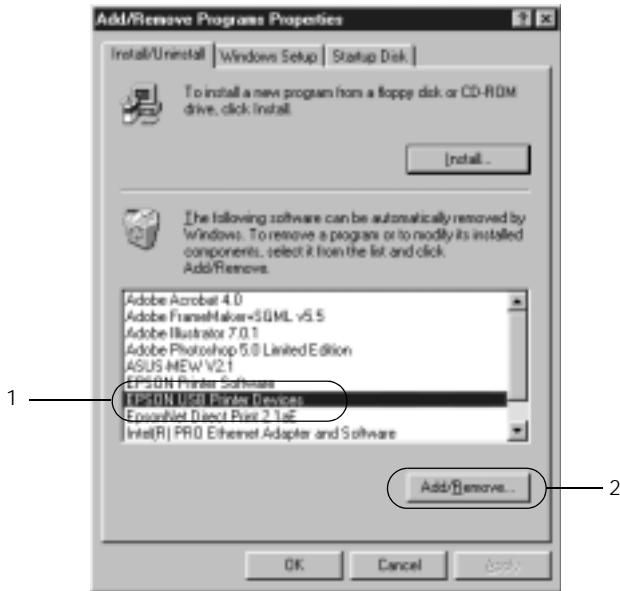
When you connect the printer to your computer with a USB interface cable, the USB device driver is also installed. When you uninstalled the printer driver, you also need to uninstall the USB device driver.

Follow these steps to uninstall the USB device driver.

Note:

- Uninstall the printer driver before uninstalling the USB device driver.*
- Once you uninstalled the USB device driver, you cannot access any other EPSON printers connected with a USB interface cable.*

1. Follow steps 1 through 3 of “Uninstalling the Printer Software” on page 103.
2. Select EPSON USB Printer Devices, and click Add/Remove.



Note:

- ❑ EPSON USB Printer Devices *appears only when the printer is connected to Windows Me or 98 with a USB interface cable.*
- ❑ *If the USB device driver is not installed correctly, EPSON USB Printer Devices may not appear. Follow these steps to run the “Epusun.exe” file in the CD-ROM that comes with your printer.*
 1. Insert the CD-ROM in your computer’s CD-ROM drive.
 2. Access the CD-ROM drive.

3. Double-click the Win9x folder.
 4. Double-click the Epusbun.exe icon.
-
3. Follow the on-screen instructions.

Chapter 4

Setting Up Your Printer on a Network

About the Shared Printer	114
Setting Up Your Printer as a Shared Printer	115
Using an Additional Driver	117
Setting for the Clients	123
With Windows Me/98/95.....	124
With Windows XP/2000	125
With Windows NT 4.0	129
Installing the Printer Driver from the CD-ROM.....	131

About the Shared Printer

This section describes how to share the printer on a standard Windows network.

The computers on a network can share the printer that is directly connected to one of them. The computer that is directly connected to the printer is the printer server, and the other computers are the clients which need permission to share the printer with the printer server. The clients share the printer via the printer server.

According to the versions of Windows OS and your access right on a network, perform the appropriate settings of the printer server and clients.

Setting the printer server

- ❑ For Windows Me/98/95, see “Setting Up Your Printer as a Shared Printer” on page 115
- ❑ For Windows XP/2000/NT 4.0, see “Using an Additional Driver” on page 117

Setting the clients

- ❑ For Windows Me/98/95, see “With Windows Me/98/95” on page 124
- ❑ For Windows XP/2000, see “With Windows XP/2000” on page 125
- ❑ For Windows NT 4.0, see “With Windows NT 4.0” on page 129

Note:

- ❑ *When sharing the printer, be sure to set the EPSON Status Monitor 3 so that the shared printer can be monitored on the printer server. See “Setting Monitoring Preferences” on page 96.*

- ❑ *The printer server and clients should be set on the same network system, and they should be under the same network management beforehand.*
- ❑ *The on-screen displays on the following pages may differ depending on the version of Windows OS.*

Setting Up Your Printer as a Shared Printer

4

When the printer server's OS is Windows Me/98/95, follow these steps to set the printer server:

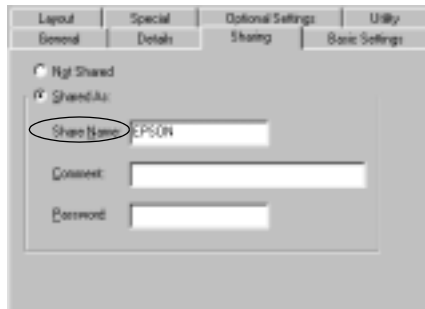
1. Click Start, point to Settings, and click Control Panel.
2. Double-click the Network icon.
3. Click File and Print Sharing on the Configuration menu.
4. Select the I want to be able to allow others to print to my printer(s). check box, then click OK.
5. Click OK to accept the settings.

Note:

- ❑ *When "Insert the Disk" appears, insert the Windows Me/98/95 CD-ROM in the computer. Click OK and then follow the on-screen instructions.*
- ❑ *When the prompt to restart the computer appears, restart the computer and continue the setting. See "For users restarting the computer" on page 116.*

For users restarting the computer

1. Double-click the Printers icon on the control panel.
2. Right-click the EPSON AL-C4000 Advanced icon, and click Sharing in the menu that appears.
3. Select Shared As, type the name in the Share Name box, and click OK. Type Comment and Password if needed.



Note:

- ❑ *Do not use spaces or hyphens for the share name, or an error may occur.*
- ❑ *When sharing the printer, be sure to set the EPSON Status Monitor 3 so that the shared printer can be monitored on the printer server. See “Setting Monitoring Preferences” on page 96.*

You need to set the client computers so that they can use the printer on a network. See the following pages for details:

- ❑ “With Windows Me/98/95” on page 124
- ❑ “With Windows XP/2000” on page 125
- ❑ “With Windows NT 4.0” on page 129

Using an Additional Driver

When the printer server's OS is Windows XP, 2000, or Windows NT 4.0, you can install the additional drivers in the server. The additional drivers are the drivers for the client computers that have different OS from the server.

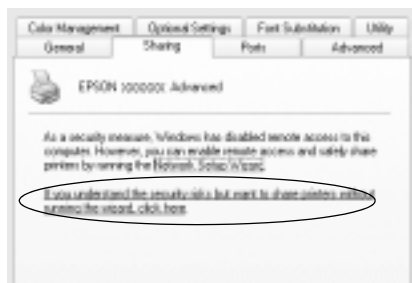
Follow these steps to set a Windows XP, 2000, or Windows NT 4.0 as a printer server, and install the additional drivers:

Note:

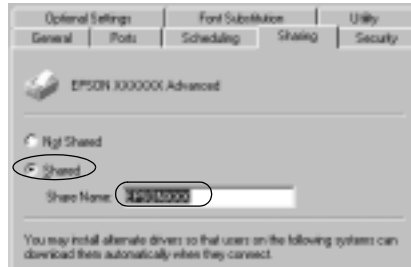
You must access Windows XP, 2000, or Windows NT 4.0 as the Administrators of the local machine.

1. For the Windows 2000 or NT 4.0 printer server, click Start, point to Settings, and click Printers. For the Windows XP printer server, click Start, point to Printers and Faxes. For Windows XP Home edition users, point to Control panel first, then click Printers and Faxes.
2. Right-click the EPSON AcuLaser C4000 Advanced icon, and click Sharing in the menu that appears.

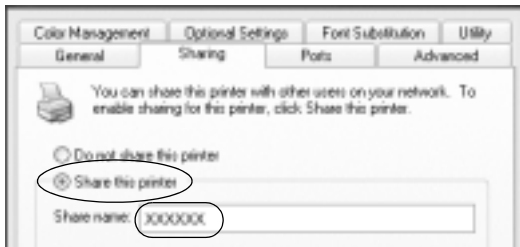
For the Windows XP, if the following menu appears, click If you understand the security risks but want to share printers without running the wizard, click here.



3. For the Windows 2000 or NT 4.0 printer server, select Shared (for Windows 2000), or Shared as (for Windows NT 4.0), then type the name in the Share Name box.



For the Windows XP printer server, select Share this printer, then type the name in the Share name box.



Note:

Do not use spaces or hyphens for the share name, or an error may occur.

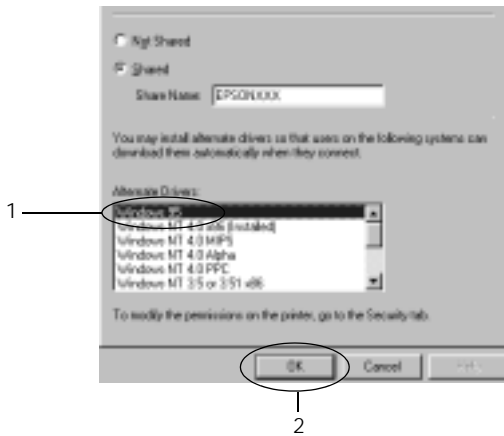
4. Select the additional drivers.

Note:

When the computers of the server and clients use the same OS, you do not have to install the additional drivers. Just click OK after step 3.

On the Windows NT 4.0 printer server

Select Windows being used for clients. For example, select Windows 95 to install the additional driver for the Windows Me/98/95 clients. Then click OK.

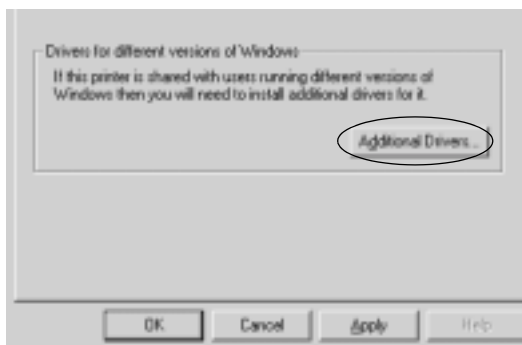


Note:

- ❑ *You do not have to select Windows NT 4.0x86, because that driver has been already installed.*
- ❑ *Do not select additional drivers other than Windows 95. The other additional drivers are not available.*

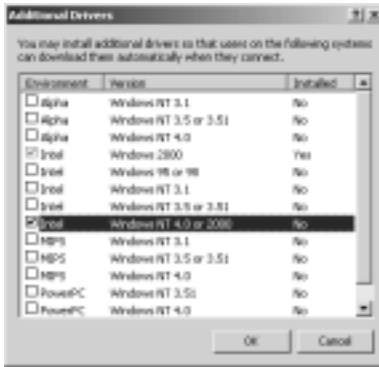
On the Windows XP/2000 printer server

Click Additional Drivers.



Select Windows being used for clients then click OK.

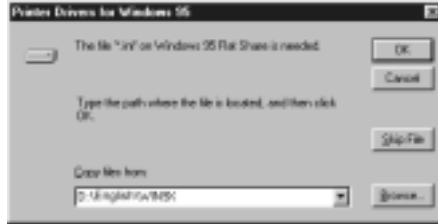
For the Windows Me/98/95 clients	Select Intel Windows 95 or 98 (and Me)
For the Windows NT 4.0 clients	Select Intel Windows NT 4.0 or 2000
For the Windows XP/2000 clients	Intel Windows 2000 (or XP) may be already selected.



Note:

- You do not have to install the additional driver for Intel Windows 2000 (or XP) only, because that driver is preinstalled.
 - Do not select additional drivers other than Intel Windows 95 or 98 (and Me) and Intel Windows NT 4.0 or 2000. The other additional drivers are not available.
5. When a prompt appears, insert the CD-ROM that comes with your printer in your CD-ROM drive, then click OK.

6. According to the message, type the appropriate drive and folder names in which the printer driver for clients is located, then click OK.
Depending on the client's OS, the displayed message may differ.



The folder name differs depending on the OS being used.

Client's OS	Folder Name
Windows Me/98/95	\\<Language>\WIN9X
Windows NT 4.0	\\<Language>\WINNT40

When installing drivers in Windows XP/2000, “Digital Signature is not found.” may appear. Click Yes (for Windows 2000) or Continue Anyway (for Windows XP) and continue installing.

7. When installing in Windows XP/2000, click Close. When installing in Windows NT 4.0, the property window closes automatically.

Note:

Confirm the following items when sharing the printer.

- ❑ *Be sure to set the EPSON Status Monitor 3 so that the shared printer can be monitored on the printer server. See “Setting Monitoring Preferences” on page 96.*

- ❑ *Set the security for the shared printer (access right for clients). Clients can not use the shared printer without right. For details, see Windows help.*

You need to set the client computers so that they can use the printer on a Network. See the following pages for details:

- ❑ “With Windows Me/98/95” on page 124
- ❑ “With Windows XP/2000” on page 125
- ❑ “With Windows NT 4.0” on page 129

Setting for the Clients

This section describes how to install the printer driver by accessing the shared printer on a network.

Note:

- ❑ *To share the printer on a Windows network, you need to set the printer server. For details, see “Setting Up Your Printer as a Shared Printer” on page 115 (Windows Me/98/95) or “Using an Additional Driver” on page 117 (Windows XP/2000/NT 4.0).*
- ❑ *This section describes how to access the shared printer on a standard network system using the server (Microsoft workgroup). When you cannot access the shared printer due to the network system, ask the administrator of the network.*
- ❑ *This section describes how to install the printer driver by accessing the shared printer from the Printers folder. You can also access the shared printer from Network Neighborhood or My Network on the Windows desktop.*
- ❑ *When you want to use EPSON Status Monitor 3 at clients, you have to install both of the printer driver and EPSON Status Monitor 3 in each client from the CD-ROM.*

With Windows Me/98/95

Follow these steps to set Windows Me/98/95 clients:

1. Click Start, point to Settings, and click Printers.
2. Double-click the Add Printer icon, then click Next.
3. Select Network printer, then click Next.
4. Click Browse, and the Browse for Printer dialog box appears.

Note:

You can also type “\\(the name of the computer that is locally connected to the shared printer)\(the shared printer’s name)” in Network path or queue name.

5. Click the computer or server that is connected to the shared printer, and the name of the shared printer. Then click OK.



Note:

The name of the shared printer may be changed by the computer or server that is connected to the shared printer. To make sure of the name of the shared printer, ask the administrator of the network.

6. Click Next.

Note:

- ❑ *When the printer driver is installed in the client beforehand, you need to select the new printer driver or the current printer driver. When the prompt to select the printer driver appears, select the printer driver according to the message.*
 - ❑ *When the printer server's OS is Windows Me/98/95 or the additional driver for Windows Me/98/95 is installed in the Windows XP/2000/NT 4.0 printer server, go to the next step.*
 - ❑ *When the additional driver for Windows Me/98/95 is not installed in the Windows XP/2000/NT 4.0 printer server, go to "Installing the Printer Driver from the CD-ROM" on page 131.*
7. Make sure of the name of the shared printer, and select whether to use the printer as the default printer or not. Click OK, and then follow the on-screen instructions.

Note:

You can change the shared printer's name so that it appears only on the client computer.

With Windows XP/2000

Follow these steps to set Windows XP/2000 clients:

You can install the printer driver of the shared printer, when you have the Power Users or more powerful access right even if you do not have the Administrator.

When the printer server's OS is Windows NT 4.0, confirm the following items:

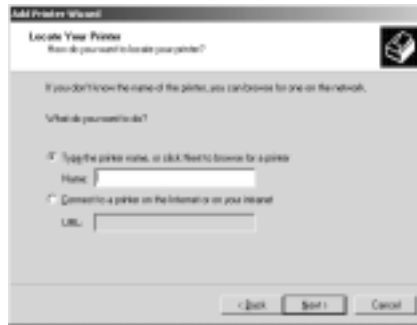
- ❑ In Windows NT 4.0 printer server, the additional driver for Windows XP/2000 clients is the “Windows NT 4.0 x86” driver which is installed beforehand as the printer driver for Windows NT 4.0. When installing the printer driver in the Windows XP/2000 clients from Windows NT 4.0 printer server, the driver for Windows NT 4.0 is installed.
- ❑ You can not install the printer driver for Windows XP/2000 as the additional driver in the Windows NT 4.0 printer server. To install the printer driver for Windows XP/2000 in the Windows XP/2000 clients, the administrator installs the local printer driver in the clients from the CD-ROM which comes with the printer, then performs the following procedure.
 1. For the Windows 2000 clients, click Start, point to Settings, and click Printers.
For the Windows XP clients, click Start, point to Printers and Faxes. For Windows XP Home edition users, point to Control panel first, then click Printers and Faxes.
 2. For Window 2000, double-click the Add Printer icon, then click Next.

For Windows XP, click the Add a printer in the Printer Tasks menu.



3. Select Network printer (for Windows 2000) or A network printer, or a printer attached to another computer (for Windows XP), then click Next.

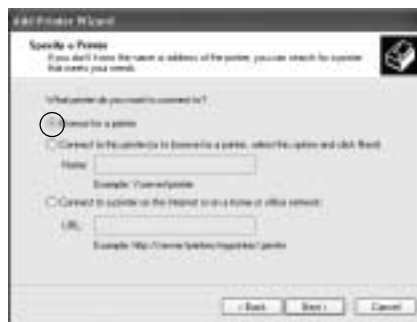
4. For Windows 2000, type the name of the shared printer, then click Next.



Note:

- ❑ *You can also type “\\(the name of the computer that is locally connected to the shared printer)\(the shared printer’s name)” in **Network path or queue name**.*
- ❑ *You do not necessarily need to type the name of the shared printer.*

For Windows XP, select Browse for a printer.



5. Click the icon of the computer or server that is connected to the shared printer, and the name of the shared printer. Then click OK.



Note:

- ❑ *The name of the shared printer may be changed by the computer or server that is connected to the shared printer. To make sure of the name of the shared printer, ask the administrator of the network.*
- ❑ *When the printer driver is installed in the client beforehand, you need to select using the new printer driver or the current printer driver. When the prompt to select the printer driver appears, select the printer driver according to the message. When the local printer driver for Windows XP/2000 is installed beforehand, you can select the printer driver for Windows XP/2000 as the current printer driver instead of the alternative driver in Windows NT 4.0 server.*
- ❑ *When the additional driver for Windows XP/2000 (NT 4.0) is installed in the Windows XP/2000/ NT 4.0 printer server, go to the next step.*
- ❑ *When the additional driver is not installed in the Windows NT 4.0 printer server or the printer server's OS is Windows Me/98/95, go to "Installing the Printer Driver from the CD-ROM" on page 131.*

6. For Windows 2000, select whether to use the printer as the default printer or not, then click OK.
7. Make sure of the settings, then click Finish.



With Windows NT 4.0

Follow these steps to set Windows NT 4.0 clients:

You can install the printer driver of the shared printer, when you have the Power Users or more powerful access right even if you do not have the Administrator.

1. Click Start, point to Settings, and click Printers.
2. Double-click the Add Printer icon.
3. Select Network printer server, then click Next.

4. Click the icon of the computer or server that is connected to the shared printer and the name of the shared printer. Then click OK.



Note:

- ❑ *You can also type “\\(the name of the computer that is locally connected to the shared printer)\(the shared printer’s name)” in Network path or queue name.*
- ❑ *The name of the shared printer may be changed by the computer or server that is connected to the shared printer. To make sure of the name of the shared printer, ask the administrator of the network.*
- ❑ *When the printer driver is installed in the client beforehand, you need to select the new printer driver or the current printer driver. When the prompt to select the printer driver appears, select the printer driver according to the message.*
- ❑ *When the additional driver for Windows NT 4.0 is installed in the Windows XP/2000 printer server, go to the next step.*

- When the additional driver for Windows NT 4.0 is not installed in the Windows XP/2000 printer server or the printer server's OS is Windows Me/98/95, go to "Installing the Printer Driver from the CD-ROM" on page 131.*
5. Select whether to use the printer as the default printer or not, then click OK.
 6. Click Finish.

Installing the Printer Driver from the CD-ROM

This section describes how to install the printer driver in the clients when setting the network system as follows:

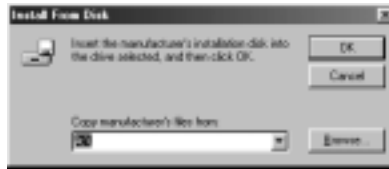
- The additional drivers are not installed in the Windows XP/2000/NT 4.0 printer server.
- The printer server's OS is the Windows Me/98/95 and the client's OS is the Windows XP/2000/NT 4.0.

The on-screen displays on the following pages may differ depending on the version of Windows OS.

Note:

- When installing in Windows XP/2000/NT 4.0 clients, you must access Windows XP/2000/NT 4.0 with the Administrator.*
 - When the additional drivers are installed or the computers of the server and clients use the same OS, you do not have to install the printer drivers from the CD-ROM.*
1. Access the shared printer and a prompt may appear. Click OK, and then follow the on-screen instructions to install the printer driver from the CD-ROM.

2. Insert the CD-ROM, then type the appropriate drive and folder names in which the printer driver for clients is located, then click OK.



When installing drivers in Windows XP/2000, “Digital Signature is not found.” may appear. Click Yes (for Windows 2000) or Continue Anyway (for Windows XP) and continue installing.

The folder name differs depending on the OS being used.

Client's OS	Folder Name
Windows Me/98/95	\<Language>\WIN9X
Windows XP/2000	\<Language>\WIN2000
Windows NT 4.0	\<Language>\WINNT40

3. Select the name of the printer, then click OK. Then follow the on-screen instructions.

Chapter 5

Using the Printer Software with Macintosh

About the Printer Software	134
Accessing the Printer Driver	134
Making Changes to Printer Settings	135
Making the print quality setting	135
Resizing printouts	140
Modifying the print layout	141
Using a watermark	143
Printing with the duplex unit	148
Making the Extended Settings	151
Using the Reserve Job Function	153
Re-Print Job	154
Verify Job	156
Stored Job	157
Confidential Job	158
Monitoring Your Printer by Using EPSON Status Monitor 3 ...	160
About EPSON Status Monitor 3	160
Accessing EPSON Status Monitor 3	160
Getting printer status details	161
Setting Monitoring Preferences	162
Status Alert window	163
Setting for the USB connection	164
Canceling Printing	165
Uninstalling the Printer Software	165

About the Printer Software

The printer software contains a printer driver and EPSON Status Monitor 3. The printer driver lets you choose from a wide variety of settings to get the best results from your printer. EPSON Status Monitor 3 is accessed through the Apple menu. EPSON Status Monitor 3 lets you check the status of your printer. See “Monitoring Your Printer by Using EPSON Status Monitor 3” on page 160 for more information.


Accessing the Printer Driver

To control your printer and change its settings, use the printer driver. The printer driver allows you to easily make all the print settings, including paper source, paper size, and orientation.

Note:

Online help provides details on printer driver settings.

To access the printer driver and open the appropriate dialog box, select Chooser from the Apple menu and click the AL-C4000 icon beforehand.

- ❑ To open the Paper Setting dialog box, select Page Setup from the File menu on any application.
- ❑ To open the Basic Settings dialog box, select Print from the File menu on any application.
- ❑ To open the Layout dialog box, click the  Layout icon on the Basic Settings dialog box.

Making Changes to Printer Settings

Making the print quality setting

You can change the print quality of printouts through settings in the printer driver. The printer driver provides you with the choice of letting the printer make the settings automatically, choosing from a list of predefined settings, or customizing the settings.

Choosing the print quality by using the Automatic setting

You can change the print quality of printouts to favor speed or detail. If you need high quality output, choose a higher number. Please note that doing so reduces the print speed.

When the Automatic button is selected on the Basic Settings dialog box, the printer driver takes care of all detailed settings according to the color setting you select. Color and resolution are the only settings you need to make. You can change other settings such as paper size or orientation in most applications.

Note:

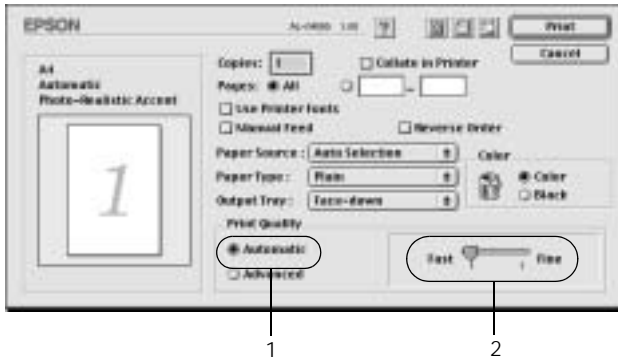
Online help provides more information on printer driver settings.

There are three levels of print output, 300 dpi, 600 dpi and 1200 dpi. 1200 dpi provides high quality, precise printing, but requires more memory and slows the printing speed.

Note:

- ❑ *1200-dpi printing is available only when the emulation mode is ESC/Page, ESC/Page Color or PS3.*
 - ❑ *When you want to set the print quality to 1200 dpi, set the print quality setting to 1200 dpi in the More Setting dialog box.*
1. Open the Basic Settings dialog box.

2. Click the Automatic button on Print Quality. Then choose desired printing resolution from Fast (300 dpi) or Fine (600 dpi) with the slider bar.



Note:

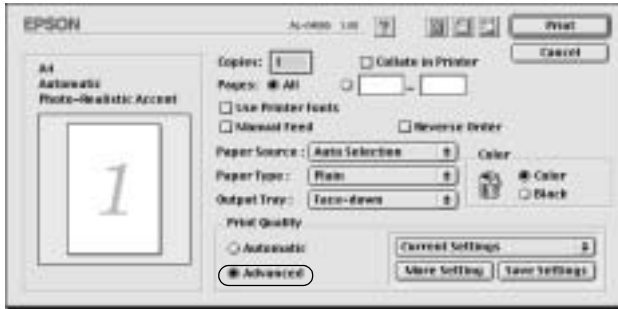
- ❑ For details about the RITech function, see the *Online Help*.
- ❑ If printing is unsuccessful or a memory-related error message appears, selecting a lower resolution may allow printing to proceed.

Using the predefined settings

The predefined settings are provided to help you optimize print settings for a particular kind of printout, such as presentation documents or images taken by a video or digital camera.

Follow these steps to use the predefined settings.

1. Click the **Advanced** button on the **Basic Settings** dialog box. You will find the predefined settings in the list on the right of the **Automatic** button.



2. Select the most appropriate setting from the list according to the type of document or image you want to print.

When you choose a predefined setting, other settings such as Printing Mode, Resolution, Screen, and Color Management are set automatically. Changes are shown in the current settings list on the left of the **Basic Settings** dialog box.

This printer driver provides the following predefined settings:

Automatic (Standard)

Suitable for regular printing, especially photos.

Text/Graph

Suitable for printing documents that include text and graphs, such as presentation documents.

Graphic/CAD

Suitable for printing graphs and charts.

Photo

Suitable for printing photos.

PhotoEnhance4

Suitable for printing images captured using the video input, a digital camera, or scanner. EPSON PhotoEnhance 4 automatically adjusts the contrast, saturation, and brightness of the original image data to produce sharper, more vivid color printouts. This setting does not affect your original image data.

ColorSync

Automatically adjusts printout colors to match colors on your screen.

Automatic (High Quality)

Suitable for regular printing that gives priority to high-quality printing.

Advanced Text/Graph

Suitable for printing high-quality presentation documents that include text and graphs.

Advanced Graphic/CAD

Suitable for printing high-quality graphs, charts, and photos.

Advanced Photo

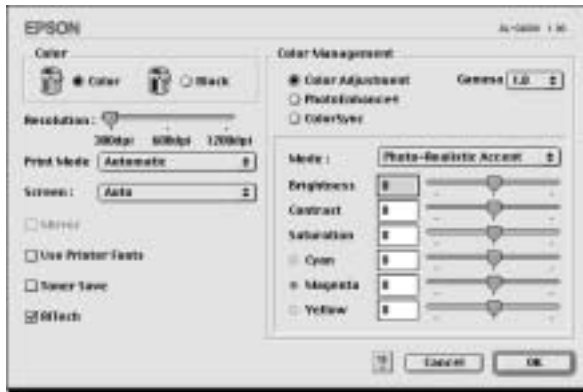
Suitable for printing high-quality scanned photos and digitally-captured images.

Customizing print settings

Many users will never need to make their own print settings manually. However, your printer provides for customized print settings if you need more control over the printout, want to make the most detailed settings available, or just want to experiment.

Follow these steps to customize your print settings.

1. Click the Advanced button on the Basic Settings dialog box, then click More Setting. The following dialog box appears.



2. Choose Color or Black as the Color setting.
3. Choose desired printing resolution from 300 dpi, 600 dpi or 1200 dpi with the Resolution slider bar, then make other settings. For details on each setting, see online help.
4. Click OK to apply your settings and return to the Basic Settings dialog box. Click Cancel to return to the Basic Settings dialog box without applying your settings.

Saving your settings

To save your custom settings, click the Advanced button and click Save Settings on the Basic Settings dialog box. The Custom Settings dialog box appears.

Type a name for your custom settings in the Name box, and click Save. Your settings will appear in the list on the right of the Automatic button in the Basic Settings dialog box.

Note:

- ❑ *You cannot use a predefined setting name for your custom settings.*


- ❑ *To delete a custom setting, click the **Advanced** button and click **Save Settings** on the **Basic Settings** dialog box, select the setting in the **User Settings** dialog box and then click **Delete**.*
- ❑ *You cannot delete predefined settings.*

If you change any setting in the **Advanced Settings** dialog box when one of your custom settings is selected in the **Advanced Settings** list on the **Basic Settings** dialog box, the setting selected in the list changes to **User Settings**. The custom setting that was previously selected is not affected by this change. To return to your custom setting, simply reselect it from the current settings list.

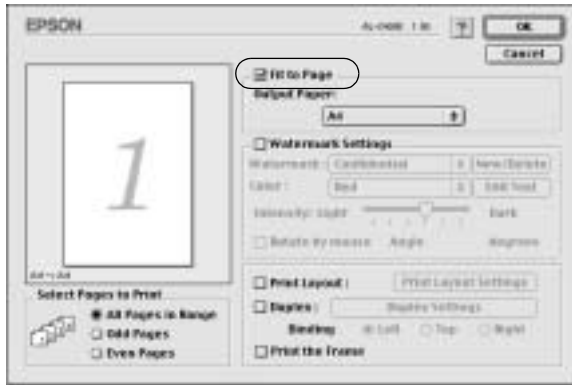
Resizing printouts

The **Fit to Page** function in the **Layout** dialog box allows you to have your documents enlarged or reduced during printing according to the specified paper size.

Note:

- ❑ *The enlarging or reducing rate is automatically specified according to the paper size selected in the **Paper Setting** dialog box.*
 - ❑ *The modifying or reducing rate selected in the **Paper Setting** dialog box is not available.*
1. Click the  **Layout** icon on the **Basic Settings** dialog box. The **Layout** dialog box appears.


2. Select the Fit to Page check box.



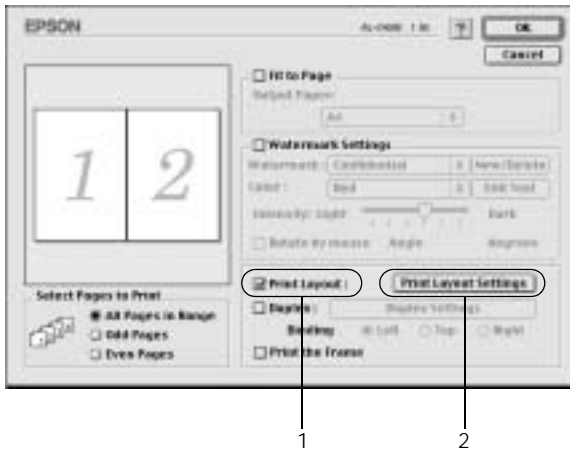
3. Select the desired paper size from the Output Paper drop-down list. The page will be printed to fit on the paper you have selected.
4. Click OK to accept the settings.

Modifying the print layout

You can print either two or four pages onto a single page and specify the printing order, automatically resizing each page to fit the specified paper size by using Layout printing. You can also choose to print documents surrounded by a frame.

1. Click the  Layout icon on the Basic Settings dialog box. The Layout dialog box appears.

2. Select the Print Layout check box, then click Print Layout Settings. The Print Layout Setting dialog box appears.



3. Select the number of pages you want to print on one sheet of paper.



4. Select the page order in which the pages are printed on each sheet.

Note:


Page Order choices depend on the number of pages selected above, and the orientation.

5. Click OK to close the Print Layout Setting dialog box.
6. Select the Print the Frame check box on the Layout dialog box when you want to print the pages surrounded by a frame.
7. Click OK on the Layout dialog box to accept the settings.

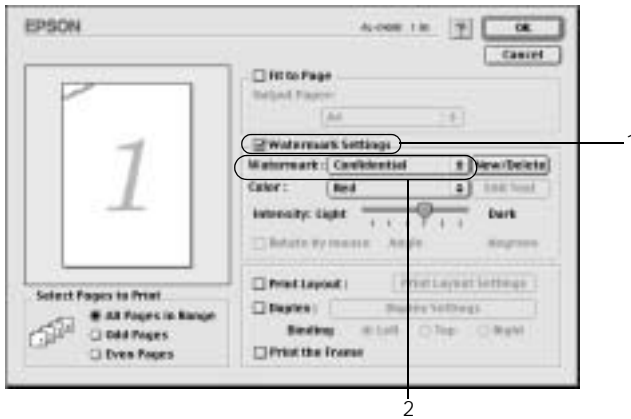
Using a watermark

5

Follow the steps below to use a watermark on your document. In the Layout dialog box, you can select from a list of predefined watermarks, or you can make an original watermark with text or a bitmap (PICT). The Layout dialog box also allows you to make a variety of detailed watermark settings. For example, you can select the size, intensity, and position of your watermark.

1. Click the  Layout icon on the Basic Settings dialog box. The Layout dialog box appears.

2. Select the Watermark Settings check box and a watermark from the Watermark drop-down list.




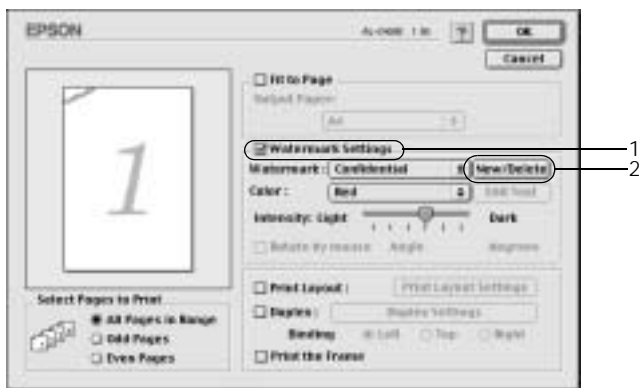
3. Select the location on the page where you want to print the watermark by dragging the watermark image on the preview window. Also, when you want to resize the watermark, drag its handle.
4. Adjust the image intensity of the watermark with the Intensity slider bar.
5. For your own custom text watermark, you can rotate it by inputting the degrees in the Angle box. Or select the Rotate by mouse check box, and rotate the text watermark with the pointer on the preview window.
6. Click OK to accept the settings.

Making a new watermark

You can make a new text or bitmap watermark with the following procedures.

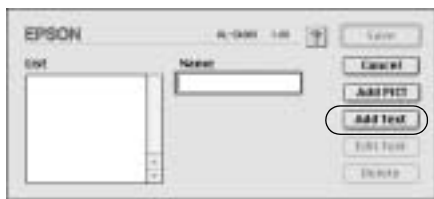
To make a text watermark

1. Click the  Layout icon on the Basic Settings dialog box. The Layout dialog box appears.
2. Select the Watermark Settings check box and click New/Delete. The Custom Watermark dialog box appears.

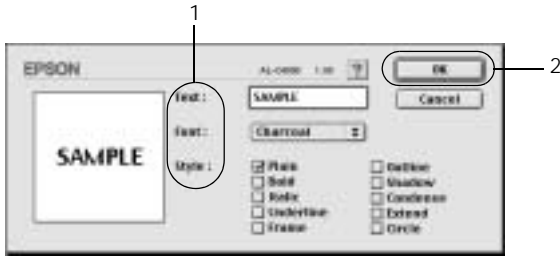


5

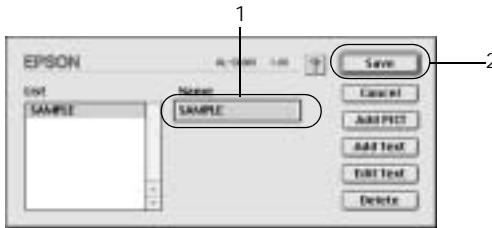
3. Click Add Text on the Custom Watermark dialog box.



4. Type the watermark text in the Text box, and select the Font and Style, then click OK.



5. Type the file name in the Name box, and click Save.




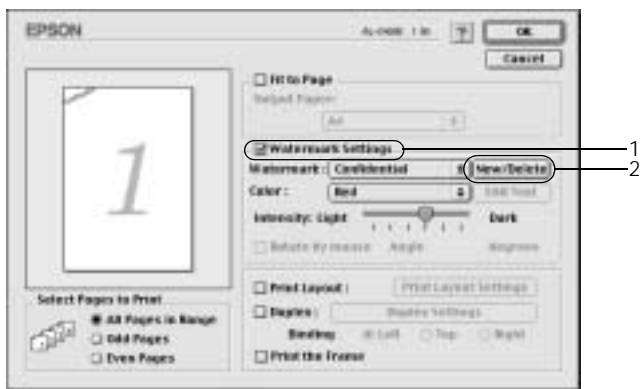
Note:

- ❑ To edit the saved text watermark, select it from the List box, and click Edit Text. After editing, be sure to click OK to close the dialog box.
 - ❑ To remove the saved text watermark, select it from the List box, and click Delete. After removing it, be sure to click Save to close the dialog box.
6. Select the saved custom watermark from the Watermark drop-down list on the Layout dialog box. Then click OK.

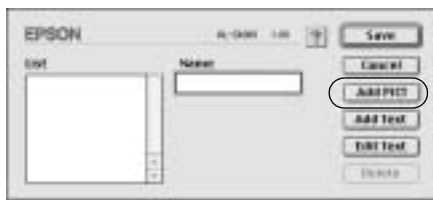
To make a bitmap watermark

Before making a custom watermark, you should prepare a bitmap (PICT) file.

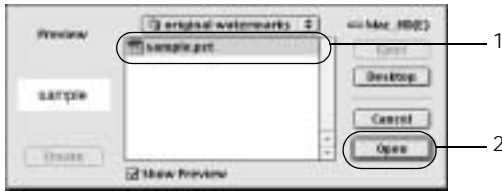
1. Click the  Layout icon on the Basic Settings dialog box. The Layout dialog box appears.
2. Select the Watermark Settings check box and click New/Delete. The Custom Watermark dialog box appears.



3. Click Add PICT on the Custom Watermark dialog box.



4. Select the PICT file and click Open.



5. Type the file name in the Name box, and click Save.



Note:

To remove the saved watermark, select it from the List box, and click Delete. After removing it, be sure to click Save to close the dialog box.


6. Select the saved custom watermark from the Watermark drop-down list on the Layout dialog box. Then click OK.

Printing with the duplex unit

Duplex printing prints on both sides of the paper. When printing for binding, the binding edge can be specified as required to produce the desired page order.

You can enable the Duplex Unit by closing Chooser after selecting the AL-C4000 icon. However, the Duplex Unit is enabled automatically when this unit is installed and the printer is connected with the computer correctly.

As an ENERGY STAR® partner, EPSON recommends the use of the double-sided printing function. Refer to ENERGY STAR® Compliance for more information on the ENERGY STAR® program.

1. Click the  Layout icon on the Basic Settings dialog box. The Layout dialog box appears.
2. Select the Duplex check box.




3. Select the Left, Top, or Right button as a Binding position.
4. Click Duplex Settings to open the Duplex Settings dialog box.

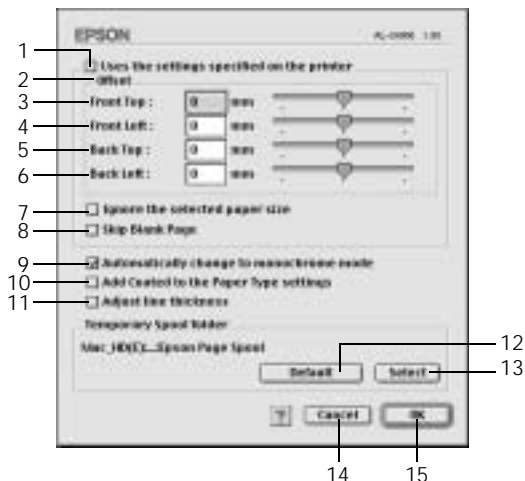
5. Specify the Binding Margin for the front and back sides of the paper.



6. Select whether the front or back side of the paper is to be printed as the Start Page.
7. Click OK to close the Duplex Settings dialog box.
8. Click OK on the Layout dialog box to accept the settings.

Making the Extended Settings

You can make various settings in the Extended Setting dialog box, for example Page Protect. To open the dialog box, click the  Extended Setting icon on the Basic Settings dialog box.



1. Uses the settings specified on the printer check box:
Select this button to use the Offset, Skip blank page, and Ignore the selected paper size settings in the control panel.
2. Offset:
Makes fine adjustments to the printing position of data on a page.
3. Front Top:
Adjusts the vertical printing position of data on the front of a page.

4. **Front Left:** Adjusts the horizontal printing position of data on the front of a page.
5. **Back Top:** Adjusts the vertical printing position of data on the back of a page when printing with the duplex unit.
6. **Back Left:** Adjusts the horizontal printing position of data on the back of a page when printing with the duplex unit.
7. **Ignore the selected paper size check box:** When you select this check box, the printer prints on loaded paper, regardless of size.
8. **Skip Blank Page check box:** This feature enables you to not print blank pages.
9. **Automatically change to monochrome mode check box:** Select this check box to have the printer driver analyze the printing data, and automatically switch to monochrome mode if the printing data is black and white.
10. **Add Coated to the Paper Type settings check box:** When you select this check box, Coated appears in the Paper Type list on the Basic Settings dialog box and become available.
11. **Adjust line thickness check box:** Adjusts the width of the lines printed.
12. **Default button:** Returns to initials settings.
13. **Select button:** Selects spool file saving folder.

14. **Cancel button:** Clicking this button exits the dialog box or printer driver without saving your settings.
15. **OK button:** Clicking this button saves your settings and exit the dialog box or printer driver. The settings are effective until you make new settings and click OK again.

Using the Reserve Job Function

The Reserve Job function allows you to store print jobs in the printer's Hard Disk Drive and to print them later directly from the printer's control panel. Follow the instructions in this section to use the Reserve Job function.

Note:

You need an optional Hard Disk Drive installed in your printer in order to use the Reserve Job function. Make sure that the drive is correctly recognized by the printer driver before you start using the Reserve Job function.

The table below gives an overview of the Reserve Job options. Each option is described in detail later in this section.

Reserve Job Option	Description
Re-Print Job	Lets you print the job now and store it for later reprinting.
Verify Job	Lets you print one copy now to verify the content before printing multiple copies.
Stored Job	Lets you save the print job without printing it now.
Confidential Job	Lets you apply a password to the print job and save it for later printing.

Jobs stored in the Hard Disk Drive are handled differently depending on the Reserve Job option. Refer to the tables below for details.


Reserve Job Option	Maximum Number of Jobs	When Maximum is Exceeded	When Drive is Full
Re-Print Job + Verify Job	64 (combined total)	Oldest job automatically replaced with newest	Oldest job automatically replaced with newest
Stored Job	64	Delete old jobs manually	Delete old jobs manually
Confidential Job	64		

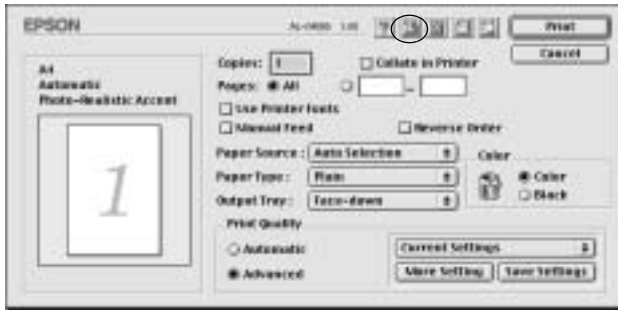
Reserve Job Option	After Printing	After Turning Off Printer or Using Reset All
Re-Print Job	Data remains in hard drive	Data is cleared
Verify Job		
Stored Job		Data remains in hard drive
Confidential Job	Data is cleared	Data is cleared

Re-Print Job

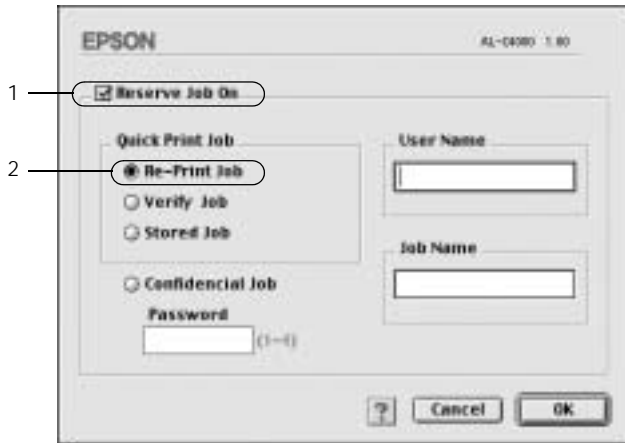
The Re-Print Job option allows you to store the job you are currently printing so that you can reprint it later directly from the control panel.

Follow these steps to use the Re-Print Job option.

1. Make printer driver settings as appropriate for your document, then open the Basic Settings dialog box and click the  Reserve Job icon. The Reserve Jobs Settings dialog box appears.



2. Select the Reserve Job On check box and click the Re-Print Job button.




3. Enter a user name and job name in the corresponding text boxes.

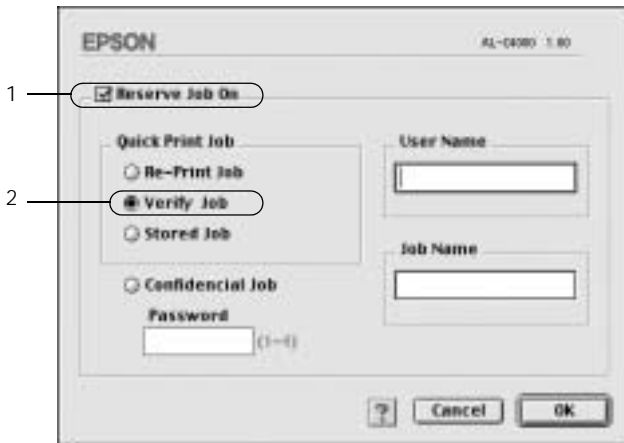
4. Click **OK**. The printer prints your document, and stores the print job data on the Hard Disk Drive. To reprint or delete this data using the printer's control panel, see "Using the Quick Print Job Menu" on page 174.

Verify Job

The Verify Job option allows you to print one copy in order to verify the content before printing multiple copies.

Follow these steps to use the Verify Job option.

1. Specify the number of copies to be printed, and make other printer driver settings as appropriate for your document.
2. Open the Basic Settings dialog box and click the  Reserve Job icon. The Reserve Jobs Settings dialog box appears.
3. Select the Reserve Job On check box and click the Verify Job button.




4. Enter a user name and job name in the corresponding text boxes.
5. Click **OK**. The printer prints one copy of your document, and stores the print data with information on the number of remaining copies on the Hard Disk Drive. After you have confirmed the printout, you can print the remaining copies or delete this data using the printer's control panel. See "Using the Quick Print Job Menu" on page 174 for instructions.

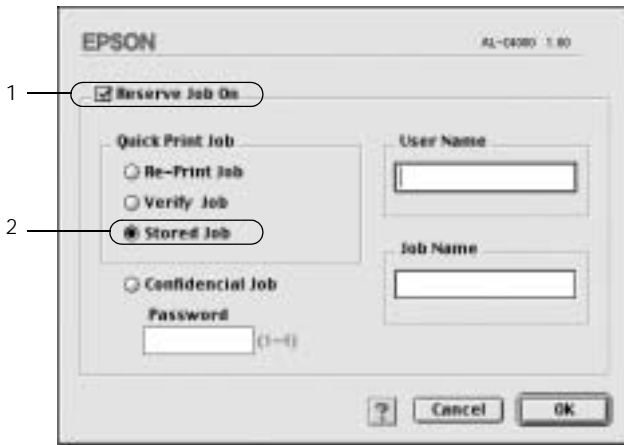
Stored Job

The Stored Job option is useful for storing documents you print on a regular basis, such as invoices. The stored data remains on the Hard Disk Drive even if you turn off the printer or reset it using the Reset All function.

Follow these steps to store print data using the Stored Job option.

1. Make printer driver settings as appropriate for your document, then open the Basic Settings dialog box and click the  Reserve Job icon. The Reserve Jobs Settings dialog box appears.

2. Select the Reserve Job On check box and click the Stored Job button.




3. Enter a user name and job name in the corresponding text boxes.
4. Click OK. The printer stores the print data in the Hard Disk Drive. To print or delete this data using the printer's control panel, see "Using the Quick Print Job Menu" on page 174.

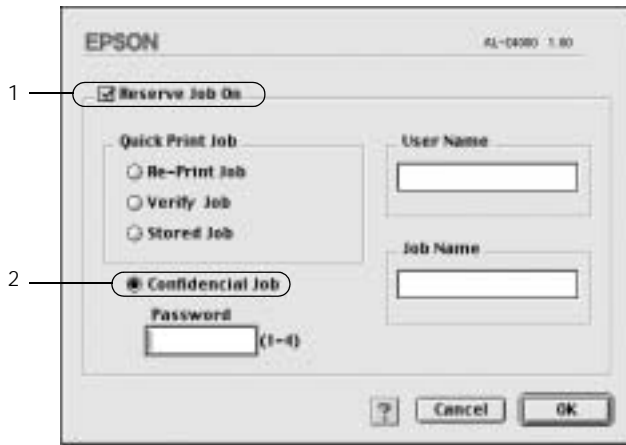
Confidential Job

The Confidential Job option allows you to apply passwords to print jobs stored on the Hard Disk Drive.

Follow these steps to store print data using the Confidential Job option.

1. Make printer driver settings as appropriate for your document, then open the Basic Settings dialog box and click the  Reserve Job icon. The Reserve Jobs Settings dialog box appears.

2. Select the Reserve Job On check box and click the Confidential Job button.



3. Enter a user name and job name in the corresponding text boxes.
4. Set the password for the job by entering a 4-digit number in the password text box.

Note:

- Passwords must be 4 digits.
 - Only numbers from 1 through 4 can be used for passwords.
 - Keep passwords in a safe place. You must enter the correct password when printing a Confidential Job.
5. Click OK. The printer stores the print job in the Hard Disk Drive. To print or delete this data using the printer's control panel, see "Using the Confidential Job Menu" on page 175.

Monitoring Your Printer by Using EPSON Status Monitor 3

About EPSON Status Monitor 3

EPSON Status Monitor 3 is a utility program that monitors your printer and gives you information about its current status. For example, you can find out the amount of remaining toner or the remaining functional life of the photoconductor unit through this utility. If a print error occurs, the utility provides you with a message describing the error. EPSON Status Monitor 3 is accessed from the Apple menu. See the following section for more information.

Accessing EPSON Status Monitor 3

EPSON Status Monitor 3 monitors the printer during printing and while the EPSON Status Monitor 3 dialog box is open.

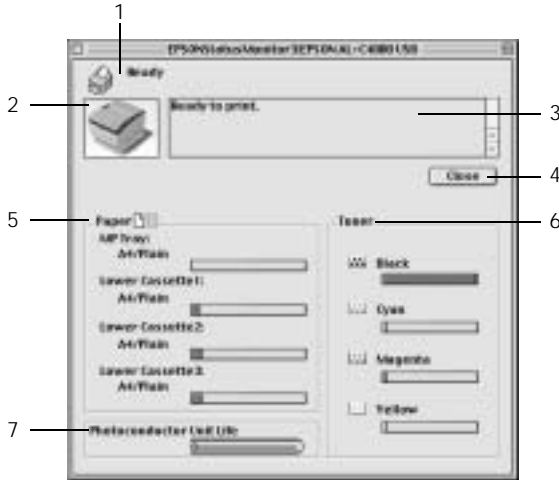
You can access EPSON Status Monitor 3 by selecting the EPSON Status Monitor 3 alias from the Apple menu.

Note:

- ❑ *The appropriate printer port must already be selected in the Chooser so that necessary information can be received from the selected printer driver when EPSON Status Monitor 3 starts. If the printer port is not correct, an error will occur.*
- ❑ *If you change the printer driver in the Chooser while the spool file is printing in the background, output to the printer may be disrupted.*
- ❑ *Printer and consumable products status information appears in the status window only if the Chooser is acquiring status normally.*

Getting printer status details

You can monitor printer status and get information on consumable products using the EPSON Status Monitor 3 dialog box.



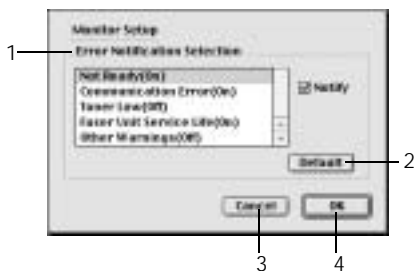
5

1. Icon/Message: The icon and message shows the printer status.
2. Printer image: The image at the upper left shows the printer status graphically.
3. Text box: The text box next to the printer image displays the current status of the printer. When a problem occurs, the most probable solution is displayed.

- | | |
|------------------------------|--|
| 4. Close button: | Clicking this button closes the dialog box. |
| 5. Paper: | Displays the paper size, paper type, and the approximate amount of paper remaining in the paper source. Information for the optional cassettes are displayed only if this option is installed. |
| 6. Toner: | Indicates the amount of remaining toner. The toner icon flashes if toner is low (10 percent or less). |
| 7. Photoconductor Unit Life: | Indicates the remaining functional life of the photoconductor unit. |

Setting Monitoring Preferences

To make specific monitoring settings, select Monitor Setup from the File menu on EPSON Status Monitor 3. The Monitor Setup dialog box appears.

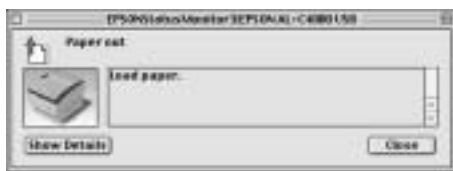


The following settings and buttons appear in the dialog box:

1. Error Notification Selection: Select the types of error that you wish to be notified about.
2. Default button: Restores default settings.
3. Cancel button: Cancels any changes.
4. OK button: Saves new changes.

Status Alert window

The Status Alert window appears automatically when an error occurs. It indicates what type of error has occurred and offers you a possible solution. It closes automatically once the problem is cleared.



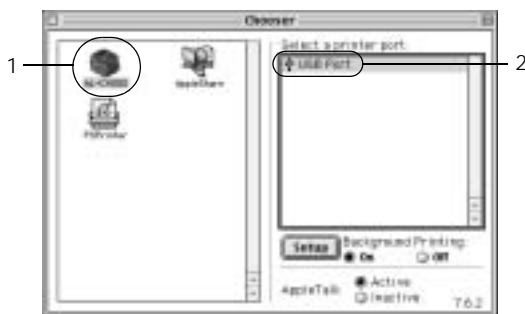
If you wish to see information about printer consumables, click Show Details. If you click this button, the Status Alert Window will not disappear even after the problem is cleared. To close the window you need to click Close.

Setting for the USB connection

Note:

If you are connecting the USB cable to your Macintosh through a USB hub, be sure to connect using the first hub in the chain. The USB interface may be unstable depending on the hub used. If you experience problems with this type of setup, connect the USB cable directly to your computer's USB connector.

1. Select Chooser from the Apple menu. Click the AL-C4000 icon and then click the USB port your printer is connected to.



2. Select Background Printing to turn background printing on or off.

Note:

- Background printing must be turned on for EPSON Status Monitor 3 to manage print jobs.*
- When background printing is on, you can use your Macintosh while it is preparing a document for printing.*

3. Close the Chooser.


Canceling Printing

If the printouts are not what you expected and display incorrect or garbled characters or images, you may need to cancel printing. Follow the instruction below to cancel printing.

- ❑ Press the period (.) key while pressing the Command key to cancel printing. Depending on applications, the message shows the procedure to cancel printing during printing. If this appears, follow the message.
- ❑ During background printing, open EPSON Monitor 3 from the Application menu. Then stop printing from EPSON Monitor 3, or delete the file which is in standby mode.

After the last page is output, the Ready (green) light on the printer turns on.

Note:

You can also cancel the current print job that is sent from the printer, by pressing the  Job Cancel button on the control panel. When canceling the print job, be careful not to cancel print jobs sent by other users.

Uninstalling the Printer Software

When you wish to reinstall or upgrade the printer driver, be sure to uninstall the current printer software beforehand.

1. Quit all applications, and restart your Macintosh.
2. Insert the EPSON printer software CD-ROM in your Macintosh.

3. Double-click the Install Software folder.



4. Double-click the Installer icon.



5. Click Continue. When the software license agreement screen appears, read the statement and then click Accept.
6. Select Uninstall from the menu at the upper left, and click Uninstall.
7. Follow the on-screen instructions.

Chapter 6

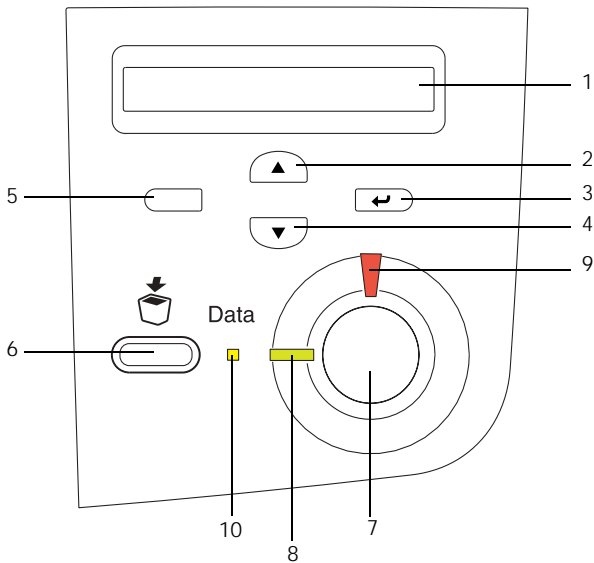
Functions of the Control Panel

Control Panel Operation.	168
Using the Control Panel Menus	170
When to make control panel settings	170
How to access the control panel menus	171
Printing and Deleting Reserve Job Data.	174
Using the Quick Print Job Menu	174
Using the Confidential Job Menu.	175
Control Panel Menus.	176
Control panel menu summary	176
Information Menu	179
Tray Menu	182
Emulation Menu.	184
Printing Menu	184
Setup Menu	187
Quick Print Job Menu	193
Confidential Job Menu.	193
Reset Menu	193
Parallel Menu	194
USB Menu	195
Network Menu	196
AUX Menu.	196
LJ4 Menu	197
GL2 Menu	200
PS3 Menu.	202
ESCP2 Menu	203
FX Menu.	206
I239X Menu	208



Control Panel Operation

The control panel is made up of three elements: a liquid crystal display (LCD) panel, indicator lights, and buttons. The LCD panel and indicator lights tell you the current status of the printer, and you can use the control panel buttons to make printer settings, check consumable products, and print status sheets. However, settings made in your application and in the printer driver usually override settings made at the control panel.



- 1 LCD panel: Displays printer status messages and control panel menu settings.
- 2, 3, Up/Enter/Down/
4, 5 Back buttons: Use these buttons to access the control panel menus, where you can make printer settings and check the status of consumable products. For instructions on how to use each button, see “Using the Control Panel Menus” on page 170.
- 6 Job Cancel button: Press once to cancel the current print job. Press down for more than two seconds to delete all jobs from the printer memory, including jobs the printer is currently receiving, saving to the Hard Disk Drive, or printing.
- 7 Start/Stop button: Switches the printer between ready and offline status.
When the error light is flashing, pressing this button clears the error and switches the printer to ready status.
- 8 Ready light: On when the printer is ready, indicating that the printer is ready to receive and print data.
When the printer is not ready, this light is off.
- 9 Error light: On or flashes when an error has occurred.

- 10 Data light: On when print data is stored in the print buffer (the section of printer memory reserved for receiving data) but not yet printed.
Flashing when the printer is processing data.
Off when no data remains in the print buffer.

Using the Control Panel Menus

You can use the printer's control panel to access a variety of menus that allow you to check the status of consumable products, print status sheets, and make printer settings. This section describes how to use the control panel menus, and when it is appropriate to make printer settings using the control panel.

When to make control panel settings

In general, printer settings can be made from the printer driver, and do not need to be made using the control panel. In fact, printer driver settings override settings made using the control panel, so use the control panel menus only to make settings you cannot make in your software or printer driver, including the following:

- Changing the emulation modes and selecting the IES (Intelligent Emulation Switching) mode
- Specifying a channel and configuring the interface
- Choosing the size of the memory buffer used to receive data

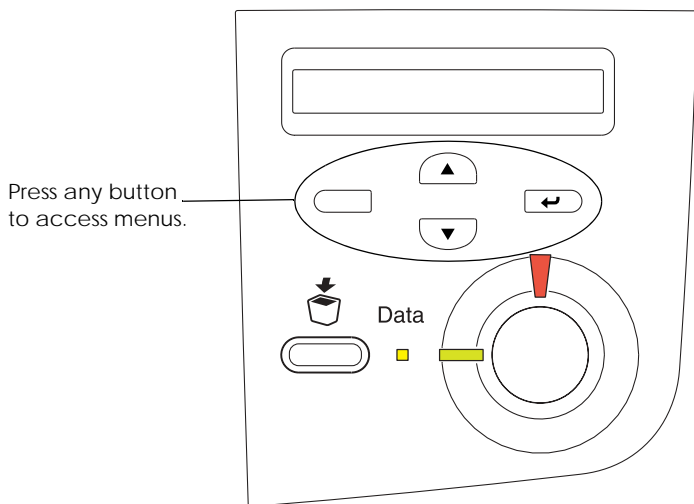
How to access the control panel menus

This section explains how to access, use, and exit the control panel menu. Refer to the illustrations below for an overview of the control panel button functions, and see the steps later in this section for detailed instructions.

For a complete description of the items and settings available in the control panel menu, see “Control Panel Menu” on page 176.

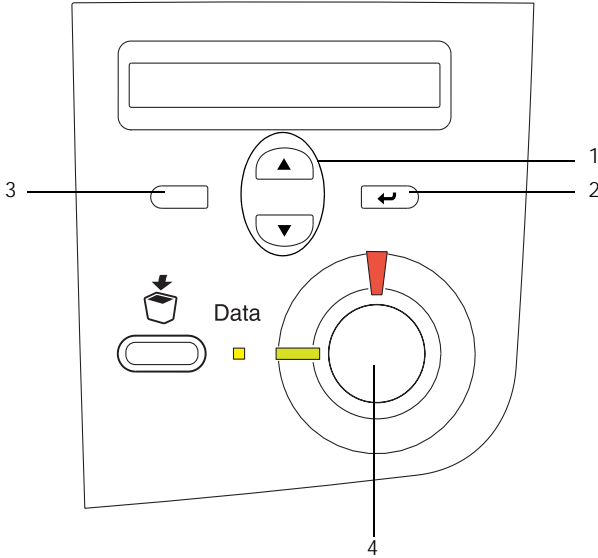
Accessing the control panel menu

When the Ready light is on, pressing any of the control panel buttons shown below accesses the control panel menu.





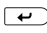


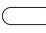
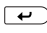
Using the control panel buttons



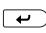

Once you have accessed the menus, the control panel buttons function as shown below.



1. Up/Down buttons: Scroll through menus, items, and settings on the current level.
2. Enter button: Advance to the next level, carry out indicated operations, and activate settings.
3. Back button: Return to the previous level.
4. Start/Stop button: Exit the control panel menus from any level.

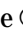
How to use the menus

1. Make sure the Ready light is on, then press any of the buttons indicated above to access the menus.
2. Use the  Up and  Down buttons to scroll through the menus.
3. Press the  Enter button to view the items in a menu. Depending on the menu, the LCD panel displays an item and the current setting separated by an asterisk (YYYY*ZZZZ), or only an item (YYYY).
4. Use the  Up and  Down buttons to scroll through the items, or press the  Back button to return to the previous level.
5. Press the  Enter button to carry out the operation indicated by an item, such as printing a status sheet or resetting the printer; or to view the settings available for an item, such as paper sizes or emulation modes.

Use the  Up and  Down buttons to scroll through available settings, and press the  Enter button to select a setting and return to the previous level. Press the  Back button to return to the previous level without changing the setting.

Note:

You need to turn the printer off and then on to activate some settings. For details, see “Control Panel Menus” on page 176.

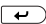

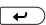


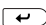



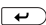


6. Press the  Start/Stop button to exit the control panel menus.


Printing and Deleting Reserve Job Data

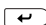
Print jobs stored on the printer's Hard Disk Drive using the Re-Print Job, Verify Job, and Stored Job options of the Reserve Job function can be printed and deleted using the control panel's Quick Print Job Menu. Jobs saved using the Confidential Job option can be printed from the Confidential Job Menu. Follow the instructions in this section.

Using the Quick Print Job Menu

Follow these steps to print or delete Re-Print Job, Verify Job, and Stored Job data.

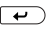

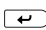


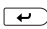
1. Make sure the LCD panel displays *Ready* or *Standby*, then press the  Enter button to access the control panel menus.
2. Press the  Down button repeatedly until *Quick Print Job Menu* appears on the LCD panel, then press the  Enter button.
3. Use the  Down or  Up button to scroll to the appropriate user name, then press the  Enter button.
4. Use the  Down or  Up button to scroll to the appropriate job name, then press the  Enter button.
5. To specify the number of copies you want to print, press the  Enter button, then use the  Down and  Up buttons to select the number of copies.

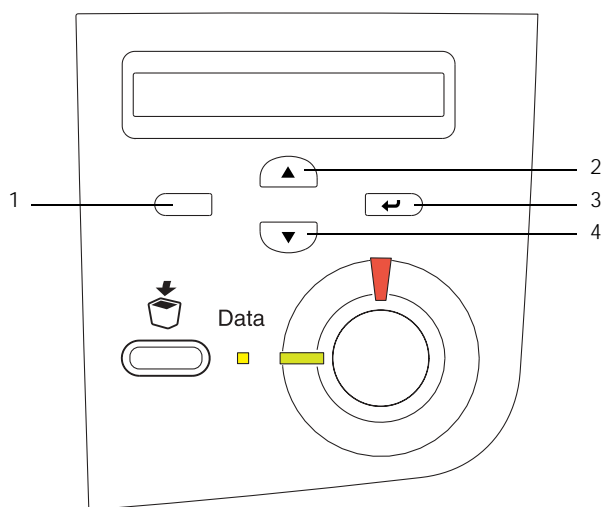
To delete the print job without printing any copies, press the  Down button to display *Delete* on the LCD panel.

6. Press the  Enter button to start printing or to delete the data.

Using the Confidential Job Menu



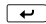
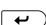


Follow these steps to print or delete Confidential Job data.


1. Make sure the LCD panel displays *Ready* or *Standby*, then press the  Enter button to access the control panel menus.
2. Press the  Down button repeatedly until *ConfidentialJobMenu* appears on the LCD panel, then press the  Enter button.
3. Use the  Down or  Up button to scroll to the appropriate user name, then press the  Enter button.
4. Enter your 4-digit password by using the corresponding buttons, as shown below.

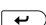


Note:

- ❑ Passwords are always 4 digits.

- ❑ *Passwords consist of numbers from 1 through 4.*
 - ❑ *If no print jobs have been saved with the password you entered, Password Error appears briefly on the LCD panel then the printer exits the control panel menus. Confirm the password and try again.*
5. Use the  Down or  Up button to scroll to the appropriate job name, then press the  Enter button.
 6. To specify the number of copies you want to print, press the  Enter button, then use the  Down and  Up buttons to select the number of copies.

To delete the print job without printing any copies, press the  Down button to display `Delete` on the LCD panel.



7. Press the  Enter button to start printing or to delete the data.

Control Panel Menus

For a summary of the control panel menus, see the table below. For details on the items and settings on the menus, see the descriptions for each menu later in this section.

Control panel menu summary

The following table shows the order in which control panel menus and menu items appear on the LCD panel.

Press the  Up and  Down buttons to scroll through the menus. The menus and menu items appear in the order shown below.

Menu	Items
Information Menu	Status Sheet, Reserve Job List* ¹ , Form Overlay List* ² , NetworkStatus Sheet* ³ , Color Regist Sheet, AUX Status Sheet* ⁴ , PS3 Status Sheet* ⁴ , PS3 Font Sample* ⁴ , LJ4 Font Sample, ESCP2 Font Sample, FX Font Sample, I239X Font Sample, C Toner, M Toner, Y Toner, K Toner, Photoconductr, Total Pages, Color Pages, B/W Pages
Tray Menu	MP Tray Size, LC1 Size, LC2 Size* ⁴ , LC3 Size* ⁴ , MP Type, LC1 Type, LC2 Type* ⁴ , LC3 Type* ⁴
Emulation Menu	Parallel, USB, Network, AUX* ⁴
Printing Menu	Page Size, Wide A4, Orientation, Resolution, RITech, Toner Save, Image Optimum, Top Offset, LeftOffset, T Offset B, L Offset B
Setup Menu	Lang, Time Out, Paper Source, MP Mode* ⁴ , Manual Feed, Copies, Duplex, Binding, Start Page, Paper Type, Page Side, Skip Blank Page, Auto Eject Page, Size Ignore, Auto Cont, Page Protect, LCD Contrast, Cyan Regist, Magenta Regist, Yellow Regist
Quick Print Job Menu* ⁵	-
ConfidentialJob Menu* ⁶	-
Reset Menu	Clear Warning, Reset, Reset All, SelecType Init
Parallel Menu* ⁹	Parallel I/F, Speed, Bi-D, Buffer Size
USB Menu* ⁹	USB I/F, Buffer Size
Network Menu* ⁹	Network I/F, Network Config, Get IPAddress* ⁷ , IP Byte1* ⁷ * ⁸ , IP Byte2* ⁷ * ⁸ , IP Byte3* ⁷ * ⁸ , IP Byte4* ⁷ * ⁸ , SM Byte1* ⁷ , SM Byte2* ⁷ , SM Byte3* ⁷ , SM Byte4* ⁷ , GW Byte1* ⁷ , GW Byte2* ⁷ , GW Byte3* ⁷ , GW Byte4* ⁷ , Buffer Size

Menu	Items
AUX Menu* ⁴ * ⁹	AUX I/F, AUX Config, Get IPAddress, IP Byte1, IP Byte2, IP Byte3, IP Byte4, SM Byte1, SM Byte2, SM Byte3, SM Byte4, GW Byte1, GW Byte2, GW Byte3, GW Byte4, NetWare, AppleTalk, NetBEUI, AUX Init, Buffer Size
LJ4 Menu	FontSource, Font Number, Pitch* ¹⁰ , Height* ¹⁰ , Symset, Form, Source Symset, Dest Symset, CR Function, LF Function, Tray Assign
GL2 Menu	GLMode, Scale, Origin, Pen, End, Join, Pen0 to Pen6
PS3 Menu* ⁴	Error Sheet, Coloration, Image Protect
ESCP2 Menu	Font, Pitch, Condensed, T.Margin, Text, CGTable, Country, Auto CR, Auto LF, Bit Image, ZeroChar
FX Menu	Font, Pitch, Condensed, T.Margin, Text, CGTable, Country, Auto CR, Auto LF, Bit Image, ZeroChar
I239X Menu	Font, Pitch, Code Page, T.Margin, Text, Auto CR, Auto LF, Alt. Graphics, Bit Image, ZeroChar, CharacterSet

*1 This item appears only when the jobs are stored by using the Quick Print Job feature.

*2 This item appears only when Form Overlay data exists.

*3 This item appears only when the Network I/F setting in the Emulation Menu is on.

*4 These items appear only when the corresponding options are installed.

*5 This Item appears only when there is print job data stored in the printer's Hard Disk Drive to be printed by using the Quick Print Job Menu.

*6 This Item appears only when there is print job data stored in the printer's Hard Disk Drive to be printed by using the Confidential Job Menu.

*7 Available only when Network Config is set to Yes.



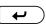
*8 When Get IPAddress is set to Auto, all items between and including IP Byte1 and GW Byte4 are not available. Their default values will be used.

*9 The settings are activated after turning the printer off and then on.

*10 The item appears when the appropriate font setting is selected.

Information Menu

From this menu you can check the toner level and the remaining service life of consumable products. You can also print status and sample sheets showing the printer's current settings, available fonts, and a brief summary of available features.

Press the  Down or  Up button to select an item. Press the  Enter button to print a sheet or font sample.

Item	Settings (default in bold)
Status Sheet	-
Reserve Job List* ¹	-
Form Overlay List* ²	-
Network Status Sheet* ³	-
Color Regist Sheet	-
AUX Status Sheet* ⁴	-
PS3 Status Sheet* ⁵	-
PS3 Font Sample* ⁵	-
ESC/Page Font Sample	-
LJ4 Font Sample	-
ESCP2 Font Sample	-
FX Font Sample	-
I239X Font Sample	-
C Toner	E****F
M Toner	E****F
Y Toner	E****F
K Toner	E****F
Photoconductr	E****F
Total Pages	0 to 99999999
Color Pages	0 to 99999999
B/W Pages	0 to 99999999

*1 This item appears only when the jobs are stored by using the Quick Print Job feature.

*2 This item appears only when Form Overlay data exists.

*3 This item appears only when the Network I/F setting in the Emulation Menu

is on.

*4 Available only when an optional interface card is installed.

*5 Available only when the optional Adobe PostScript 3 ROM module is installed.

Status Sheet, AUX Status Sheet, PS3 Status Sheet

Prints a sheet showing the current printer settings and installed options. These sheets can be useful to confirm whether options have been installed correctly.

Reserve Job List

Prints a list of reserved print jobs stored in the optional Hard Disk Drive.

Form Overlay List

Prints a list of the form overlays stored in the optional Hard Disk Drive.

6

Network Status Sheet

Prints a sheet showing the working status of the network.

Color Regist Sheet

Prints a sheet to check and adjust the registration position of each color (Yellow, Cyan, and Magenta). If you notice a misalignment of colors, use this sheet to adjust the alignment as explained in “Setup Menu” on page 187.

PS3 Font Sample, LJ4 Font Sample, ESCP2 Font Sample, FX Font Sample, I239X Font Sample

Prints a sample of the fonts available for your selected printer emulation.

C Toner/M Toner/Y Toner/K Toner/Photoconductr

Displays the amount of toner left in the toner cartridges, and the remaining service life of the photoconductor unit, as shown below:

E****F	(100 to 76%)
E***F	(75 to 51%)
E**F	(50 to 26%)
E*F	(25 to 1%)
EF	(0%)

Total Pages

Displays the total number of pages printed by the printer.

Color Pages

Displays the total number of pages printed in color by the printer.

B/W Pages

Displays the total number of pages printed in black-white by the printer.

Tray Menu

This menu allows you to specify the size and type of paper loaded in the MP tray. Accessing this menu also lets you check the size of the paper currently loaded in the lower cassettes.

The paper type settings in this menu can also be made from your printer driver. Settings you make in your printer driver override these settings, so use your printer driver whenever you can.

Item	Settings (default in bold)
MP Tray Size	A4* , A5, B5, LT* , HLT, LGL, GLT, GLG, EXE, F4, MON, C10, DL, C5, C6, IB5
LC1 Size	A4, LT, A5, B5, LGL, GLG, EXE
LC2 Size**	A4, LT, A5, B5, LGL, GLG, EXE
LC3 Size**	A4, LT, A5, B5, LGL, GLG, EXE
MP Type	Plain , Letterhead, Recycled, Color, Trnspncy, Labels
LC1 Type	Plain , Letterhead, Recycled, Color
LC2 Type**	Plain , Letterhead, Recycled, Color
LC3 Type**	Plain , Letterhead, Recycled, Color

* Default setting varies according to the country of purchase.

** Available only when the optional Type-B Large Capacity Paper Unit is installed.

MP Tray Size

Select your paper size from this menu.

LC1 Size, LC2 Size, LC3 Size

Displays the paper size loaded in the standard or optional lower cassettes. You cannot change the paper size from this menu.

MP Type

Lets you set the paper type loaded in the MP tray.

LC1 Type, LC2 Type, LC3 Type

Lets you select the paper type loaded in the standard or optional lower cassettes.

Emulation Menu

Use this menu to select the printer emulation mode. You can specify different emulations for each interface; in other words, for each computer you connect the printer to. Since each emulation mode has its own specific options, make settings in the LJ4, ESC P2, FX, GL2, or I239X menu, as necessary. The settings you can choose from are the same for every interface.

Item	Settings (default in bold)
Parallel	Auto , LJ4, ESCP2, FX, I239X, PS3*, GL2
USB	Auto , LJ4, ESCP2, FX, I239X, PS3*, GL2
Network	Auto , LJ4, ESCP2, FX, I239X, PS3*, GL2
AUX**	Auto , LJ4, ESCP2, FX, I239X, PS3*, GL2

* Available only when the optional Adobe PostScript 3 ROM module is installed.

** Available only when an optional Type-B interface card is installed.

Printing Menu

This menu allows you to make standard print settings, such as page size and orientation, when printing from an application or operating system that does not support your printer driver. Be sure to use the printer driver to make these settings whenever you can, since settings made on your computer always override these settings.

Item	Settings (default in bold)
Page Size	A4* , A5, B5, LT*, HLT, LGL, GLT, GLG, EXE, F4, MON, C10, DL, C5, C6, IB5, CTM
Wide A4	Off , On
Orientation	Port , Land
Resolution	600 , 1200**, 300
RI Tech	On , Off
Toner Save	Off , On
Image Optimum	Auto , Off, On
Top Offset	-99.0 ... 0.0 ... 99.0 mm in 0.5 increments
LeftOffset	-99.0 ... 0.0 ... 99.0 mm in 0.5 increments
T Offset B	-99.0 ... 0.0 ... 99.0 mm in 0.5 increments
L Offset B	-99.0 ... 0.0 ... 99.0 mm in 0.5 increments

* Default setting varies according to the country of purchase.

** Available only when in ESC/Page, ESC/Page-Color or PS3 mode.

Page Size

Specifies the paper size.

Wide A4

Selecting **On** increases the left and right margins from 3.4 mm to 4 mm.

Orientation

Specifies whether the page is printed in portrait or landscape orientation.

Resolution

Specifies the printing resolution. 1200-dpi printing is available only when the emulation mode is ESC/Page, ESC/Page Color, or PS3.

RITech

Turning RITech on produces smoother and crisper lines, text, and graphics.

Toner Save

When this setting is selected, the printer saves toner by substituting a gray shade for the black inside of characters. The characters are outlined in full black on the right and lower edges.

TopOffset

Makes fine adjustments to the vertical printing position of the page.



Caution:

Make sure that the printed image does not extend beyond the edge of the paper. Otherwise, you may damage the printer.

LeftOffset

Makes fine adjustments to the horizontal printing position of the page. This is useful for fine adjustments when using the manual feed mode.



Caution:

Make sure that the printed image does not extend beyond the edge of the paper. Otherwise, you may damage the printer.

T Offset B

Adjusts the vertical printing position on the back of the paper when printing on both sides. Use this if the printout on the back is not where you expected.

L Offset B

Adjusts the horizontal printing position on the back of the paper when printing on both sides. Use this if the printout on the back is not where you expected.

Setup Menu

This menu allows you to make various basic configuration settings related to paper sources, feeding modes, and error handling. You can also use this menu to select the LCD panel display language, and to adjust the registration position of each color.

Item	Settings (default in bold)
Lang	English , Français, Deutsch, ITALIANO, ESPAÑOL, SVENSKA, Dansk, Nederl., SUOMI, Português
Time Out	0, 5... 60 ... 300 in 1 minute increments
Paper Source	Auto , MP, LC1, LC2*, LC3*
MP Mode	Normal, Last
Manual Feed	Off , On
Copies	1 to 999
Duplex	Off , On
Binding	Long Edge , Short Edge
Start Page	Front , Back
Paper Type	Normal , Thick, ExtraThk, Trnsprnc, Coated
Page Side	Front , Back
Skip Blank Page**	Off , On
Auto Eject Page	Off , On
Size Ignore	Off , On
Auto Cont	Off , On
Page Protect	Off , On
LCD Contrast	0 ... 8 ... 15
Cyan Regist	-7 ... 0 ... 7 in 1 dot increments
Magenta Regist	-7 ... 0 ... 7 in 1 dot increments
Yellow Regist	-7 ... 0 ... 7 in 1 dot increments

* Available only when the corresponding option is installed.

** Available only when in PCL5e, ESC/Page, ESC/P2, or I239X mode.

Lang

Specifies the language displayed on the LCD panel and that printed on the status sheet.

Time Out

Specifies the length of the time the printer waits when it is ready to print and no new data is received. When this time is up, the printer searches for new print data from other interfaces.

Paper Source

Specifies whether paper feeds into the printer from the MP tray, the standard lower cassette, or from the optional Large Capacity Paper Unit, when `Normal` is selected as the Paper Type setting.

If you select `Auto`, paper feeds from the paper source containing paper that matches your Paper Size setting.

If an envelope size (`IB5`, `C10`, `C5`, `DL`, `MON`, `C6`) is selected as the Page Size setting, paper always feeds from the MP tray. If you select `Thick`, `ExtraThk`, `Transprnc`, or `Coated` as the Paper Type setting, paper always feeds from the MP tray.

MP Mode

This setting determines whether the MP tray has the highest or lowest priority when `Auto` is selected as the Paper Source setting in the printer driver. When `Normal` is selected as the MP Mode, the MP tray has the highest priority as the paper source. If you select `Last`, the MP tray has the lowest priority.

Manual Feed

Allows you to select the manual feed mode for all the paper sources. For details on the manual feed mode, see “Manually feeding paper” on page 26.

Copies

Designates the number of copies to be printed, from 1 through 999.

Duplex

Turns duplex printing on or off.

Binding

Specifies the binding direction of the printout.

Start Page

Specifies whether printing starts from the front or back of the page.

Paper Type

Specifies the type of paper to be used for printing. The printer adjusts the printing speed according to this setting. The printing is reduced when *Thick*, *ExtraThk*, *Trnsernc* or *Coated* is selected.

Page Side

Select *Front* when printing on the front of thick paper (*Thick*) or extra-thick paper (*ExtraThk*).

Select *Back* when printing on the back of thick paper (*Thick*) or extra-thick paper (*ExtraThk*).

Skip Blank Page

Enables you to skip blank pages when printing. This setting is available when you print in the PCL5e, ESC/Page, ESC P2, FX, or I239X mode.

Auto Eject Page

Specifies whether or not to eject paper when the limit specified in the Time Out setting is reached. The default is `Off`, which means paper is not ejected when the time-out limit is reached.

Size Ignore

If you want to ignore a paper size error, select `On`. When you turn this item on, the printer keeps printing even if the image size exceeds the printable area for the specified paper size. This may cause smudges because of the toner that is not transferred onto the paper properly. When this item is turned off, the printer stops printing if a paper size error occurs.

Auto Cont

When you turn this setting on, the printer automatically continues printing after a certain period of time when one of the following errors occurs: Paper Set, Print Overrun, or Mem Overflow. When this option is off, you must press the `Start/Stop` button to resume printing.

Page Protect

Allocates additional printer memory for printing data, as opposed to receiving it. You may need to turn this setting on if you are printing a very complex page. If a `Print Overrun` error message appears on the LCD panel during printing, turn this setting on and reprint your data. This reduces the amount of memory reserved for receiving data so your computer may take longer to send the print job, but it will allow you to print complex jobs. Page Protect usually works best when `Auto` is selected. You will need to increase your printer's memory if memory errors continue to occur.

Note:

Changing the Page Protect setting reconfigures the printer's memory, which causes any downloaded fonts to be deleted.

LCD Contrast

Adjusts the contrast of the LCD panel. Use the  Up and  Down buttons to set the contrast between 0 (lowest contrast) and 15 (highest contrast.)

Cyan Regist

Adjusts the registration position of the color cyan relative to black.

To adjust the registration, select `Color Resist Sheet` on the control panel's Information Menu to print a color registration sheet. Then use the Cyan Regist setting to select the number that corresponds to the cyan and black line segments most closely aligned. See "Checking color registration" on page 284 for more detailed instructions.

Magenta Regist

Adjusts the registration position of the color magenta relative to black.

To adjust the registration, select `Color Resist Sheet` on the control panel's Information Menu to print a color registration sheet. Then use the Magenta Regist setting to select the number that corresponds to the magenta and black line segments most closely aligned. See "Checking color registration" on page 284 for more detailed instructions.

Yellow Regist

Adjusts the registration position of the color yellow relative to black.

To adjust the registration, select `Color Resist Sheet` on the control panel's Information Menu to print a color registration sheet. Then use the Yellow Regist setting to select the number that corresponds to the yellow and black line segments most closely aligned. See "Checking color registration" on page 284 for more detailed instructions.

Quick Print Job Menu

This menu allows you to print or delete print jobs that were stored in the printer's Hard Disk Drive using the Quick Print Job feature (Re-Print Job, Verify Job, Stored Job) of the printer driver's Reserve Job function. For instructions on using this menu, see "Using the Quick Print Job Menu" on page 174.

Confidential Job Menu

This menu allows you to print or delete print jobs stored in the printer's Hard Disk Drive using the Confidential Job feature of the printer driver's Reserve Job function. You need to enter the correct password to access this data. For instructions on using this menu, see "Using the Confidential Job Menu" on page 175.

6

Reset Menu

This menu allows you to cancel printing and reset the printer settings.

Clear Warning

Clears warning messages that appear on the LCD panel.

Reset

Stops printing and clears the current job received from the active interface. You may want to reset the printer when there is a problem with the print job itself and the printer cannot print successfully.

Reset All

Stops printing, clears the printer memory, and restores the printer settings to their default values. The print jobs received from all interfaces are erased.

Note:

Performing a Reset All clears print jobs received from all interfaces. Be careful not to interrupt someone else's job.

SelectType Init

Restores the control panel menu settings to their default values. Yellow Regist, Magenta Regist, and Cyan Regist settings are not reset.

Parallel Menu

These settings control communication between the printer and the computer when using the parallel interface. These settings are activated after turning the printer off and then on.

Item	Settings (default in bold)
Parallel I/F	On , Off
Speed	Fast , Normal
Bi-D	Nibble, ECP , Off
Buffer Size	Normal , Maximum, Minimum

Parallel I/F

Allows you to activate or deactivate the parallel interface.

Speed

Specifies the pulse width of the ACKNLG signal when receiving data in the Compatibility mode or Nibble mode. When **Fast** is selected, the pulse width is about 1 μ s. When **Normal** is selected, the pulse width is about 10 μ s.

Bi-D

Allows you to specify the bidirectional communication mode. When you select **Off**, bidirectional communication is disabled.

Buffer Size

Determines the amount of memory to be used for receiving data and printing data. If **Maximum** is selected, more memory is allocated for receiving data. If **Minimum** is selected, more memory is allocated for printing data.

Note:

- To activate Buffer Size settings, you must turn off the printer for more than five seconds then turn it back on. Or, you can perform a Reset All operation, as explained in “Reset Menu” on page 193.*
- Resetting the printer erases all print jobs. Make sure the Ready light is not flashing when you reset the printer.*

USB Menu

These settings control communication between the printer and the computer when using the USB interface. These settings are activated after turning the printer off and then on.

Item	Settings (default in bold)
USB I/F	On , Off
Buffer Size	Normal , Maximum, Minimum

USB I/F

Allows you to activate or deactivate the USB interface.

Buffer Size

Determines the amount of memory to be used for receiving data and printing data. If *Maximum* is selected, more memory is allocated for receiving data. If *Minimum* is selected, more memory is allocated for printing data.

Note:

- To activate Buffer Size settings, you must turn off the printer for more than five seconds then turn it back on. Or, you can perform a Reset All operation, as explained in “Reset Menu” on page 193.*
- Resetting the printer erases all print jobs. Make sure the Ready light is not flashing when you reset the printer.*

Network Menu

See the Administrator’s Guide for each setting.

AUX Menu

See the Administrator’s Guide for each setting.

LJ4 Menu

These settings control the fonts and symbol sets when in the LJ4 mode.

Item	Settings (default in bold)
Font Source	Resident , Download, ROM A*
Font Number	0 to 65535 (depending on your settings)
Pitch**	0.44 ... 10.00 ... 99.99 cpi in 0.01-cpi increments
Height**	4.00 ... 12.00 ... 999.75 pt in 0.25-pt increments
SymSet	IBM-US , Roman-8, Roman-9, ECM94-1, 8859-2 ISO, 8859-9 ISO, 8859-10ISO, 8859-15ISO, PcBit775, IBM-DN, PcMultiling, PcE.Europe, PcTk437, PcEur858, Pc1004, WiAnsi, WiE.Europe, WiTurkish, WiBALT, DeskTop, PsText, VeInternati, VeUS, MsPublishin, Math-8, PsMath, VeMath, PiFont, Legal, UK, ANSI ASCII, Swedis2, Italian, Spanish, German, Norweg1, French2, Windows, McText, Pclcelandic, Pclt774, PcTurk1, PcPortugues, PcEt850, PcTurk2, PcCanFrench, PcSi437, PcNordic, 8859-3 ISO, 8859-4 ISO, WiBaltic, WiEstonian, WiLatvian, Mazowia, CodeMJK, BpBRASCII, BpAbicomp, PcGk437, PcGk851, PcGk869, 8859-7 ISO, WiGreek, Europe3, PcCy855, PcCy866, Pclt866, PcUkr866, Pclit771, 8859-5 ISO, WiCyrillic, Bulgarian, Hebrew7, 8859-8 ISO, Hebrew8, PcHe862, Arabic8, PcAr864, 8859-6 ISO, OCR A, OCR B
Form	5 ... 60/64 ** ... 128 lines
Source SymSet	0 ... 277 ... 3199
Dest SymSet	0 ... 277 ... 3199
CR Function	CR , CR + LF
LF Function	LF , CR + LF
Tray Assign	4, 4K , 5S

* Available only when the optional font ROM module is installed.

** Depending on whether Letter (60) or A4 (64) paper has been selected.

Note:

If you normally use the HP LaserJet 4 printer driver when printing, you should change settings using this driver whenever you can. Printer driver settings always override the LJ4 Menu options.

Font Source

Sets the default font source.

Font Number

Sets the default font number for the default font source. The available number depends on the settings you made.

Pitch

Specifies the default font pitch if the font is scalable and of fixed-pitch. You can select from 0.44 to 99.99 cpi (characters per inch), in 0.01-cpi increments. This item may not appear depending on the Font Source or Font Number settings.

Height

Specifies the default font height if the font is scalable and proportional. You can select from 4.00 to 999.75 points, in 0.25-point increments. This item may not appear depending on the Font Source or Font Number settings.

SymSet

Selects the default symbol set. If the font you selected in Font Source and Font Number is not available in the new SymSet setting, the Font Source and the Font Number settings are automatically replaced with the default value, IBM-US.

Form

Selects the number of lines for the selected paper size and orientation. This also causes a line spacing (VMI) change, and the new VMI value is stored in the printer. This means that later changes in Page Size or Orientation settings cause changes in the `Form` value, based on the stored VMI.

Source SymSet, Dest SymSet

Available only in certain locations where printers are sold with a special ROM module installed to handle specific languages.

CR Function, LF Function

These functions are included for users of particular operating systems, such as UNIX.

Tray Assign

Changes the assignment for the paper source select command. When `4` is selected, the commands are set as compatible with the HP LaserJet 4. When `4K` is selected, the commands are set as compatible with the HP LaserJet 4000, 5000, and 8000. When `5S` is selected, the commands are set as compatible with the HP LaserJet 5Si.

GL2 Menu

This menu lets you set the printer to emulate a plotter, allowing you to use software which requires a plotter for output. The LJ4GL2 mode is similar to the GL/2 mode supported in the HP LaserJet 4 mode. The GLlike mode emulates some of the HP-GL plotter commands and includes all the commands found in HP's GL/2 mode, as well as two additional commands.

Item	Settings (default in bold)
GL Mode	LJ4GL2 , GLlike
Scale	Off , A0, A1, A2, A3
Origin	Corner , Center
Pen	Pen0 , Pen1, Pen2*, Pen3*, Pen4*, Pen5*, Pen6*
End	Butt , Square, Triangular, Round
Join	Mitered , Miteredbeveled, Triangular, Round, Beveled, None
Pen 0 through 6	0.05 ... 0.35 ... 5.00 mm in 0.05-mm increments

* Available only when **GLlike** is selected as the GL Mode.

Before you start printing in the GL/2 mode

You may need to change the following print options in your application, depending on your output needs. Check these settings to make sure they match the data you are trying to print.

Print Options	Settings
Paper size	Printer's paper size setting
Driver (plotter selection)	HP-GL/2 or HP-GL
Pen configuration	Pen thickness

Plot origin	Center or Corner
Orientation	GLlike offers landscape only LJ4GL2 offers landscape and portrait

If you need to configure the printer settings, first switch to the GL/2 emulation mode, then change the settings using the printer driver, or the control panel menus.

Note:

Settings or data saved in the printer's RAM (such as downloaded fonts) may be erased when you change the emulation mode.

GL Mode

Specifies whether the printer uses a direct emulation of the GL/2 plotter language, or the HP LaserJet 4 emulation of GL/2.

Scale

Specifies whether the output from the software is scaled. The scale factor is based on the output paper size of the application.

Origin

Specifies whether the logical origin of the "plotter" is the corner or the center of the paper.

Pen

Allows you to choose a pen which you can then set the thickness for in the Pen 0 through 6 item. The LJ4GL2 mode supports two pens (0 and 1), while the GLlike mode supports seven pens (0 through 6).

End

Specifies the way in which lines end.

Join

Specifies the way in which lines are joined.

Pens 0 through 6

Allows you to set the thickness of the pens used to make the printout. Pen 0 and Pen 1 are available in the LJ4GL2 mode, and Pen 0 through Pen 6 are available in the GLlike mode.

PS3 Menu

These settings are available only when the optional Adobe PostScript 3 ROM module is installed. For installation instructions, see “Adobe PostScript 3 ROM Module” on page 241. See also your Adobe PostScript 3 Kit documentation.

Item	Settings (default in bold)
Error Sheet	Off , On
Coloration	Color , Mono, TrueCol.
Image Protect	Off , On

Error Sheet

When you select **On**, the printer prints out an error sheet.

Coloration

Allows you to specify the method of color printing. **Color** refers to color printing at 1 bit/pixel, **Mono** refers to monochrome printing, while **TrueCol.** refers to color printing at 8 bit/pixel.

Image Protect

Allows you to specify whether to employ lossy compression. Lossy compression refers to a data compression technique in which some amount of data is lost.

ESCP2 Menu

This menu allows you to make settings which affect the printer when it is in the ESC P2 emulation mode.

Item	Settings (default in bold)
Font	Courier , Prestige, Roman, Sans Serif, Roman T, Orator S, Sans H, Script, OCR A, OCR B
Pitch	10 , 12, 15 cpi, Prop.
Condensed	Off , On
T. Margin	0.40 ... 0.50 ... 1.50 inches in 0.05-inch increments
Text	1... 62/66 *... 67 lines
CGTable	PcUSA , Italic, PcMultilin, PcPortugue, PcCanFrenc, PcNordic, PcTurkish2, Pclcelandic, PcE.Europe, BpBRASCI, BpAbicomp, Roman-8, PcEur858, ISO Latin1, 8859-15ISO, PcSI437, PcTurkish1, 8859-9 ISO, Mazowia, CodeMJK, PcGk437, PcGk851, PcGk869, 8859-7 ISO, PcCy855, PcCy866, PcUkr866, PcLit771, Bulgarian, Hebrew7, Hebrew8, PcHe862, PcAr864
Country	USA , France, Germany, UK, Denmark, Sweden, Italy, Spain1, Japan, Norway, Denmark2, Spain2, LatinAmeric, Korea, Legal
Auto CR	On , Off
Auto LF	Off , On
Bit Image	Dark , Light, BarCode
ZeroChar	0 , (or the zero character with a slash)

* Depending on whether Letter (62) or A4 (66) paper has been selected.

Font

Selects the font.

Pitch

Selects the pitch (the horizontal spacing) of the font in fixed pitch, measured in cpi (characters per inch). You can also choose proportional spacing.

Condensed

Turns condensed printing on or off.

T. Margin

Sets the distance from the top of the page to the baseline of the first printable line. The distance is measured in inches. The smaller the value, the closer the printable line is to the top.

Text

Sets the page length in lines. For this option, a line is assumed to be 1 pica (1/6 inch). If you change the *Orientation*, *Page Size*, or *T. Margin* settings, the page length setting automatically returns to the default for each paper size.

CG Table

Use the character generator (CG) table option to select the graphics character table or the italics table. The graphics table contains graphic characters for printing lines, corners, shaded areas, international characters, Greek characters, and mathematical symbols. If you select *Italic*, the upper half of the character table is defined as italic characters.

Country

Use this option to select one of the fifteen international symbol sets. See “International character sets” on page 358 for samples of the characters in each country’s symbol set.

Auto CR

Specifies whether the printer performs a carriage-return/line-feed (CR-LF) operation whenever the printing position goes beyond the right margin. If this setting is off, the printer does not print any characters beyond the right margin and does not perform any line wrapping until it receives a carriage-return character. This function is handled automatically by most applications.

Auto LF

If you select *Off*, the printer does not send an automatic line-feed (LF) command with each carriage-return (CR). If *On* is selected, a line-feed command is sent with each carriage-return. Select *On* if your text lines overlap.

Bit Image

The printer is able to emulate the graphics densities set with the printer commands. If you select *Dark*, the bit image density is high, and if you select *Light*, the bit image density is low.

If you select *BarCode*, the printer converts bit images to bar codes by automatically filling in any vertical gaps between dots. This produces unbroken vertical lines that can be read by a bar code reader. This mode will reduce the size of the image being printed, and may also cause some distortion when printing bit image graphics.

ZeroChar

Specifies whether the printer prints a slashed or unslashed zero.

FX Menu

This menu allows you to make settings which affect the printer when it is in the FX emulation mode.

Item	Settings (default in bold)
Font	Courier , Prestige, Roman, Sans Serif, Script, Orator S, OCR A, OCR B
Pitch	10 , 12, 15 cpi, Prop.
Condensed	Off , On
T. Margin	0.40 ... 0.50 ... 1.50 inches in 0.05-inch increments
Text	1... 62/66* ... 67 lines
CGTable	PcUSA , Italic, PcMultilin, PcPortugue, PcCanFrenc, PcNordic, PcTurkish2, Pclcelandic, PcE.Europe, BpBRASCI1, BpAbicomp, Roman-8, PcEur858, ISO Latin1, 8859-15ISO
Country	USA , France, Germany, UK, Denmark, Sweden, Italy, Spain1, Japan, Norway, Denmark2, Spain2, LatinAmeric
Auto CR	On , Off
Auto LF	Off , On
Bit Image	Dark , Light, BarCode
ZeroChar	0 , (or the zero character with a slash)

* Depending on whether Letter (62) or A4 (66) paper has been selected.

Font

Selects the font.

Pitch

Selects the pitch (the horizontal spacing) of the font in fixed pitch, measured in cpi (characters per inch). You can also choose proportional spacing.

Condensed

Turns condensed printing on or off.

T. Margin

Sets the distance from the top of the page to the baseline of the first printable line. The distance is measured in inches. The smaller the value, the closer the printable line is to the top.

Text

Sets the page length in lines. For this option, a line is assumed to be 1 pica (1/6 inch). If you change the *Orientation*, *Page Size*, or *T. Margin* settings, the page length setting automatically returns to the default for each paper size.

CG Table

Use the character generator (CG) table option to select the graphics character table or the italics table. The graphics table contains graphic characters for printing lines, corners, shaded areas, international characters, Greek characters, and mathematical symbols. If you select *Italic*, the upper half of the character table is defined as italic characters.

Country

Use this option to select one of the fifteen international symbol sets. See “International character sets” on page 358 for samples of the characters in each country’s symbol set.

Auto CR

Specifies whether the printer performs a carriage-return/line-feed (CR-LF) operation whenever the printing position goes beyond the right margin. If this setting is off, the printer does not print any characters beyond the right margin and does not perform any line wrapping until it receives a carriage-return character. This function is handled automatically by most applications.

Auto LF

If you select `Off`, the printer does not send an automatic line-feed (LF) command with each carriage-return (CR). If `On` is selected, a line-feed command is sent with each carriage-return. Select `On` if your text lines overlap.

Bit Image

The printer is able to emulate the graphics densities set with the printer commands. If you select `Dark`, the bit image density is high, and if you select `Light`, the bit image density is low.

If you select `BarCode`, the printer converts bit images to bar codes by automatically filling in any vertical gaps between dots. This produces unbroken vertical lines that can be read by a bar code reader. This mode will reduce the size of the image being printed, and may also cause some distortion when printing bit image graphics.

ZeroChar

Selects whether the printer prints a slashed or unslashed zero.

I239X Menu

The I239X mode emulates IBM[®] 2390/2391 Plus commands.

These settings are available only when the printer is in the I239X mode.

Item	Settings (default in bold)
Font	Courier , Prestige, Gothic, Orator, Script, Presentor, Sans Serif
Pitch	10 , 12, 15, 17, 20, 24 cpi, Prop.
Code Page	437 , 850, 858, 860, 863, 865
T. Margin	0.30 ... 0.40 ... 1.50 inches in 0.05-inch increments
Text	1 ... 63/67* ... 67 lines
Auto CR	Off , On
Auto LF	Off , On
Alt. Graphics	Off , On
Bit Image	Dark , Light
ZeroChar	0 , (or the zero character with a slash)
CharacterSet	1** , 2**

* Depends on whether Letter (63) or A4 (67) paper has been selected.

** Depends on whether Letter (1) or A4 (2) paper has been selected.

Font

Selects the font.

Pitch

Selects the pitch (the horizontal spacing) of the font in fixed pitch, measured in cpi (characters per inch). You can also choose proportional spacing.

Code Page

Selects the character tables. Character tables contain the characters and symbols used by different languages. The printer prints text based on the selected character table.

T. Margin

Sets the distance from the top of the page to the baseline of the first printable line. The distance is measured in inches. The smaller the value, the closer the printable line is to the top.

Text

Sets the page length in lines. For this option, a line is assumed to be 1 pica (1/6 inch). If you change the `Orientation`, `Page Size`, or `T. Margin` settings, the page length setting automatically returns to the default for each paper size.

Auto CR

Specifies whether the printer performs a carriage-return/line-feed (CR-LF) operation whenever the printing position goes beyond the right margin. If this setting is off, the printer does not print any characters beyond the right margin and does not perform any line wrapping until it receives a carriage-return character. This function is handled automatically by most applications.

Auto LF

If you select `Off`, the printer does not send an automatic line-feed (LF) command with each carriage-return (CR). If `On` is selected, a line-feed command is sent with each carriage-return. Select `On` if your text lines overlap.

Alt. Graphics

Turns the Alternate Graphics option on or off.

Bit Image

The printer is able to emulate the graphics densities set with the printer commands. If you select **Dark**, the bit image density is high, and if you select **Light**, the bit image density is low.

If you select **BarCode**, the printer converts bit images to bar codes by automatically filling in any vertical gaps between dots. This produces unbroken vertical lines that can be read by a bar code reader. This mode will reduce the size of the image being printed, and may also cause some distortion when printing bit image graphics.

ZeroChar

Selects whether the printer prints a slashed or unslashed zero.

Character Set

Selects character table 1 or 2.

Chapter 7

Using Options

Large Capacity Paper Unit	214
Installing the Large Capacity Paper Unit	215
Removing the Large Capacity Paper Unit	221
Hard Disk Drive	225
Installing the Hard Disk Drive	225
Removing the Hard Disk Drive	230
Memory Modules	232
Installing a memory module	232
Removing a memory module	237
Adobe PostScript 3 ROM Module	241
Installing the Adobe PostScript 3 ROM module	241
Removing the Adobe PostScript 3 ROM module	246
Interface Card	249
Installing an interface card	249
Removing an interface card	252
Printing a Status Sheet	253



Large Capacity Paper Unit

You can increase the printer's paper-feeding capacity by installing the optional Large Capacity Paper Unit (C12C813861). This option has two paper cassettes, each holding up to 500 sheets of paper.

The following table summarizes the paper types and sizes that you can use with the Large Capacity Paper Unit.

Paper Type	Paper Size	Capacity
Plain paper	A4, A5, B5 Letter (LT), Legal (LG), Government Legal (GLG) Executive (EXE),	Up to 500 sheets in each cassette (Total thickness: less than 58 mm for one cassette) (Weight: 60 to 105 g/m ² , 16 to 28 lb)
EPSON Color Laser Paper	A4, Letter (LT)	Up to 500 sheets in each cassette
EPSON Color Laser Coated Paper*	A4	Up to 500 sheets in each cassette

* This media can be fed from this paper source only when Plain is selected as the Paper Type setting in the printer driver.

Note:

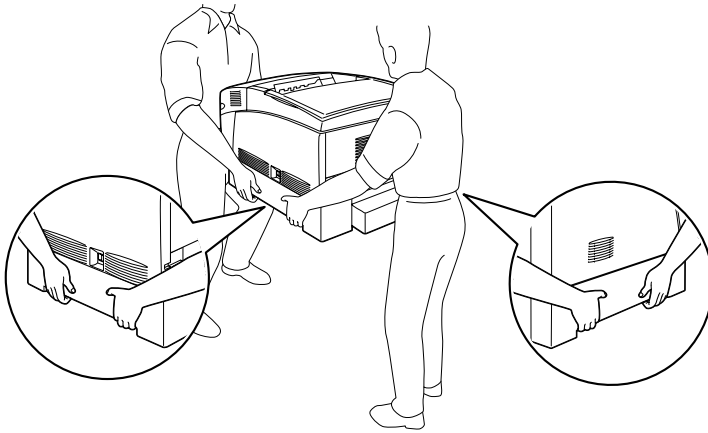
Load paper with the printable surface facing up.

Handling precautions

Note the following handling precautions before installing this option:

- The Large Capacity Paper Unit weighs approximately 18.5 kg (8.4 lb); always lift it with two or more people.

- ❑ When installing this option on the printer, make sure to lock the two casters at the front of the unit.
- ❑ The printer weighs about 34.5 kg (76 lb) with consumable products installed. One person should not attempt to lift or carry the printer. Two or more people should carry it, lifting it only by the positions shown below.



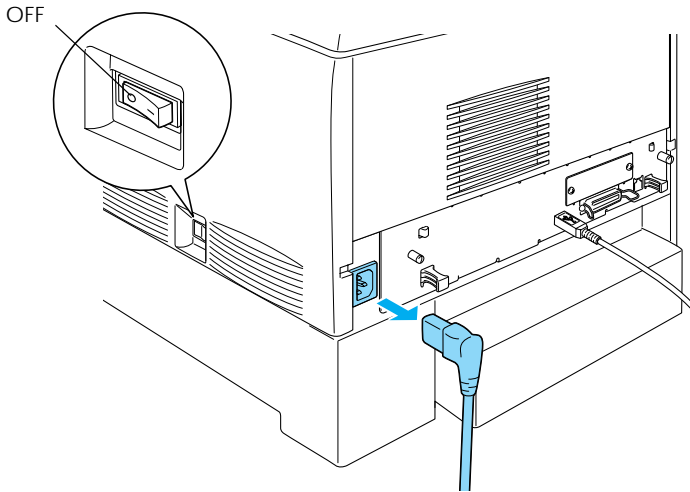
Warning:

If you lift the printer improperly, it may fall and injure you.

Installing the Large Capacity Paper Unit

Follow these steps to install the Large Capacity Paper Unit:

1. Turn the printer off and unplug the power cord.

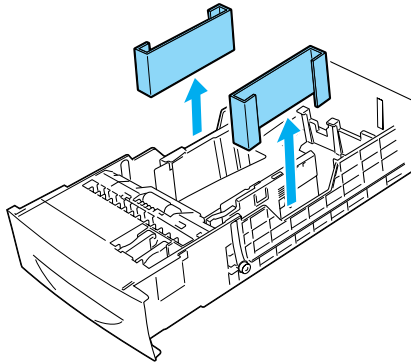


2. Remove all interface cables from the interface connectors.
3. Carefully remove the Large Capacity Paper Unit from its carton and place it on the floor.

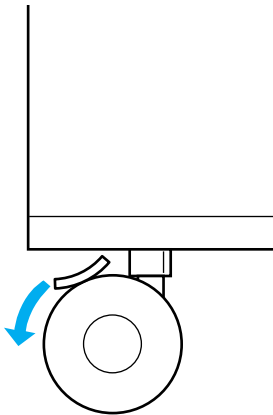
Note:

- Make sure you have the four screws packed with the Large Capacity Paper Unit.*
- Remove the protective materials from the unit.*
- Keep all protective materials in case you want to ship the Large Capacity Paper Unit in the future.*

4. Remove the protective materials inside of the cassette trays.



5. Lock the two casters at the front of the unit.



7



Warning:

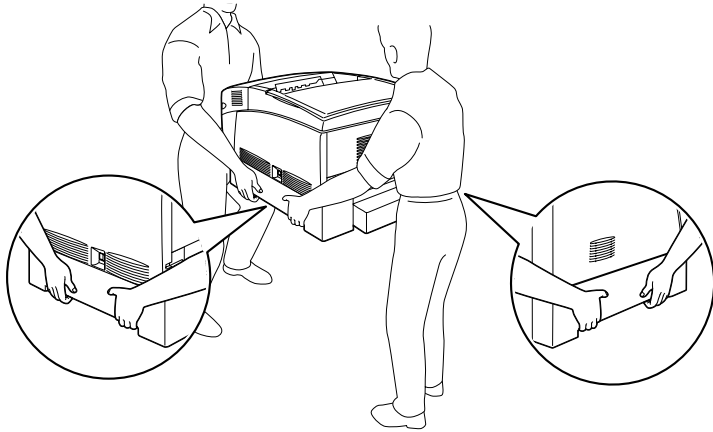
Be sure to lock both casters before installing the unit on the printer. Otherwise, the unit may move and cause an accident.

6. Carefully, grasp the printer at the positions indicated below and lift it carefully with two or more people.

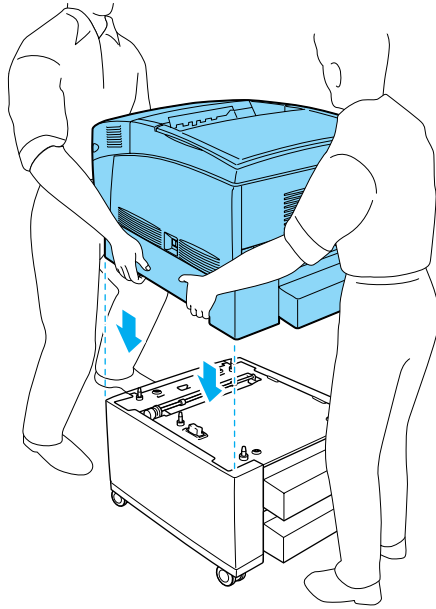


Warning:

Two people should lift the printer by the correct positions as shown below.

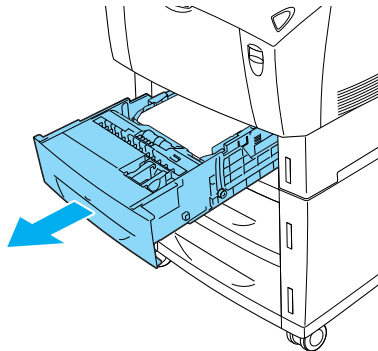


7. Align the corners of the printer and the unit, then lower the printer gently onto the unit so that the five pins on top of the unit fit into the holes on the bottom of the printer.

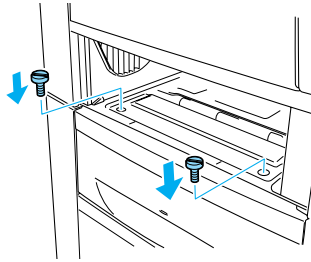


7

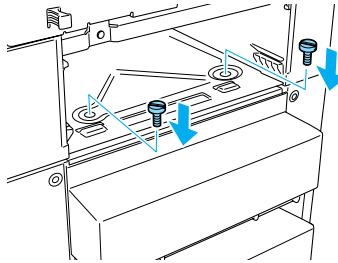
8. Remove the standard lower cassette from the printer.



9. Fasten the front of the Large Capacity Paper Unit to the printer with two of the provided screws.



10. Remove the cover on the back of the standard lower cassette, and secure the back of the unit to the printer with the remaining two screws. Then reattach the cover.



11. Reinsert the standard lower cassette into the printer.
12. Reconnect all interface cables and the power cord.
13. Plug the printer's power cord into an electrical outlet.
14. Turn on the printer.

To confirm that the Large Capacity Paper Unit is installed correctly, use the printer's control panel menus to print a status sheet. See "Printing a Status Sheet" on page 253 for instructions. If the unit is not listed on the status sheet, make sure the cable connectors are secure.

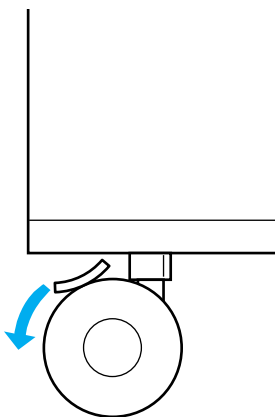
Note:

If you are using Windows, and EPSON Status Monitor 3 is not installed, you have to make settings manually in the printer driver. Click the Update the Printer Option Information Manually button on the Optional Settings menu, then click Settings. Then select Large Capacity Paper Unit from the Optional Paper Sources list on the Optional Settings dialog box and click OK.

Removing the Large Capacity Paper Unit

Follow these steps to remove the Large Capacity Paper Unit:

1. Turn the printer off and unplug the power cord.
2. Remove all interface cables from the interface connectors.
3. Lock the two casters at the bottom of the unit.

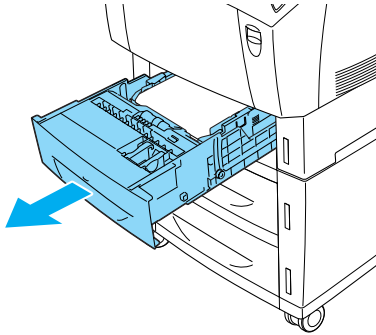




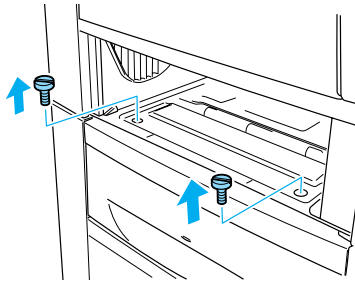
Warning:

Be sure to lock both casters before removing the unit from the printer. Otherwise, the unit may move and cause an accident.

4. Remove the standard lower cassette from the printer.



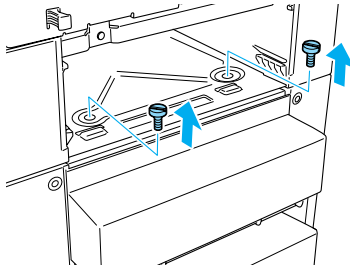
5. Remove the two screws securing the front of the unit to the printer.



Warning:

Removing other screws and covers will expose high voltage areas.

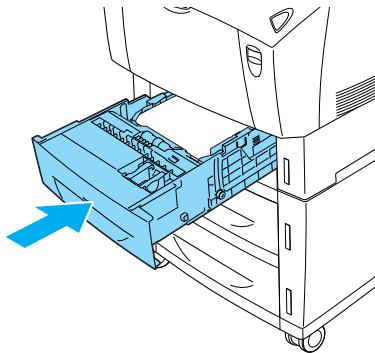
6. Remove the cover on the back of the standard lower cassette, and remove the two screws securing the back of the unit. Then reattach the cover.



Warning:

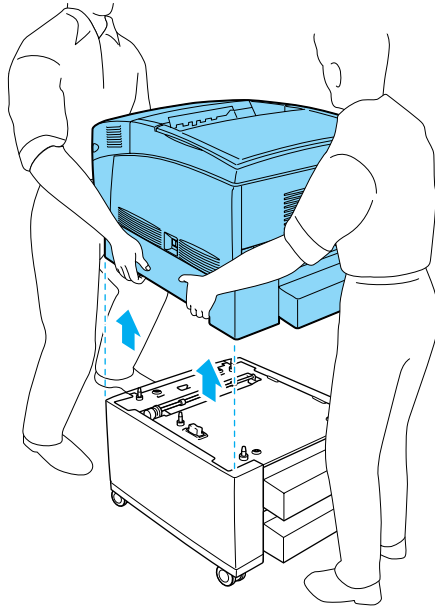
Removing other screws and covers will expose high voltage areas.

7. Insert the standard lower cassette into the printer.



7

- Carefully lift up the printer with two or more people until the holes on the bottom of the printer are free from the five pins on the top of the unit, and place it on a flat stable surface.



- Repack the Large Capacity Paper Unit in its original carton.
- Reconnect all interface cables and the power cord.
- Plug the printer's power cord into an electrical outlet.
- Turn on the printer.

Hard Disk Drive

The optional Hard Disk Drive (C12C823921) allows you to expand the printer's input buffer when the Ethernet interface is used, and gives you additional memory for graphics, form data, and faster multi-page, multi-output sorting.

Installing the Hard Disk Drive

Follow these steps to install the Hard Disk Drive:



Caution:

Before you install the Hard Disk Drive, be sure to discharge any static electricity by touching a grounded piece of metal. Otherwise, you may damage static-sensitive components.

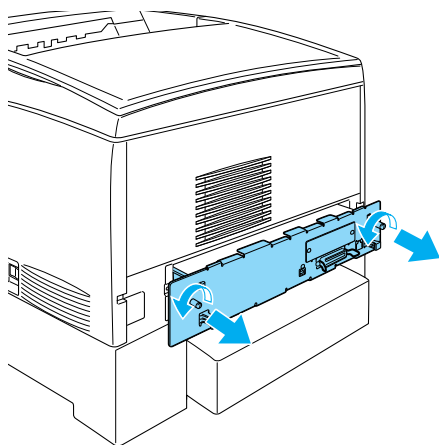


Warning:

Be careful when working inside the printer as some components are sharp and may cause injury.

1. Turn the printer off and unplug the power cord.
2. Remove all interface cables from the interface connectors.

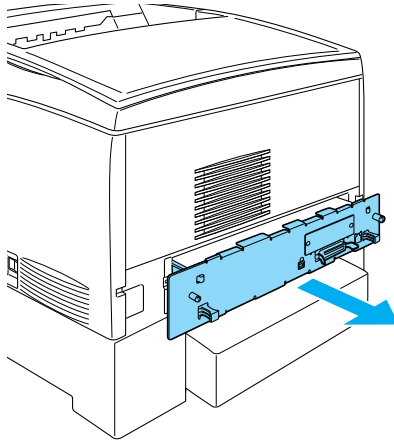
3. Loosen the two screws on the back of the printer.



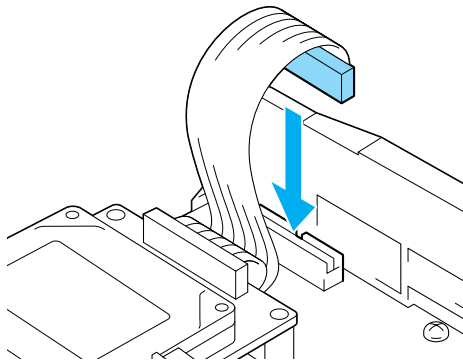
Warning:

Removing other screws and covers will expose high voltage areas.

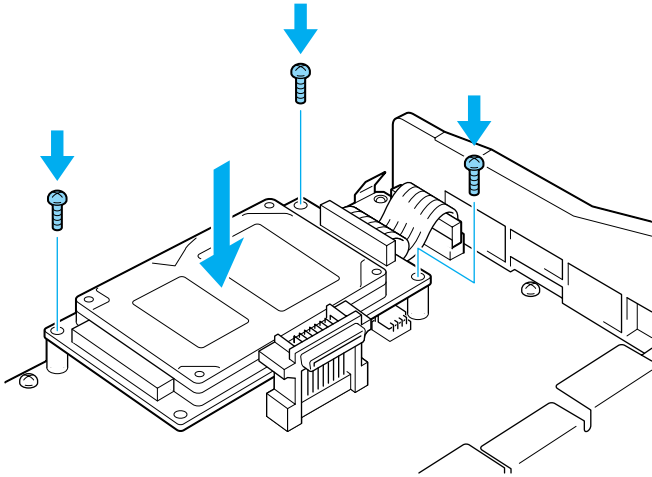
4. Pull out the circuit board tray.



5. Connect the Hard Disk Drive cable to the circuit board.



- Align the three screw holes on the Hard Disk Drive with the screw holes on the circuit board. Secure it by tightening the three screws provided.



Note:

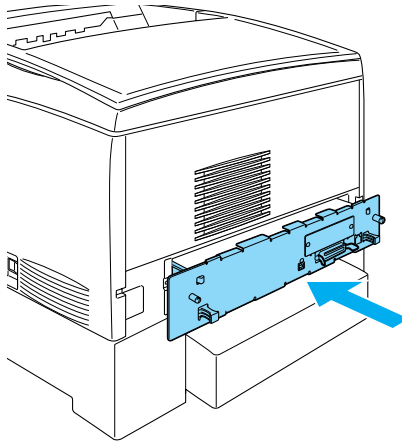
Be careful not to damage the cable when tightening the screws.



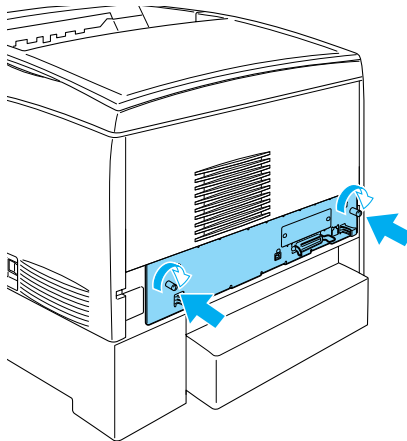
Caution:

*Do not remove any modules from the circuit board.
Otherwise, the printer will not work.*

7. Slide the circuit board tray into the printer.



8. Fasten the circuit board tray with the two screws.



9. Reconnect all interface cables and the power cord.

10. Plug the printer's power cord into an electrical outlet.
11. Turn on the printer.

To confirm that the Hard Disk Drive is installed correctly, use the printer's control panel menus to print a status sheet. See "Printing a Status Sheet" on page 253 for instructions. If the drive is not listed on the status sheet, try reinstalling the drive. Make sure that the connector on the Hard Disk Drive is securely connected to the socket on the circuit board.

Note:

If you are using Windows, and EPSON Status Monitor 3 is not installed, you have to make settings manually in the printer driver. Click the Update the Printer Option Information Manually button on the Optional Settings menu, then click Settings. Then select the Optional HDD Unit check box on the Optional Settings dialog box and click OK.

Removing the Hard Disk Drive

Follow these steps to remove the Hard Disk Drive:



Caution:

Before you remove the Hard Disk Drive, be sure to discharge any static electricity by touching a grounded piece of metal. Otherwise, you may damage static-sensitive components.

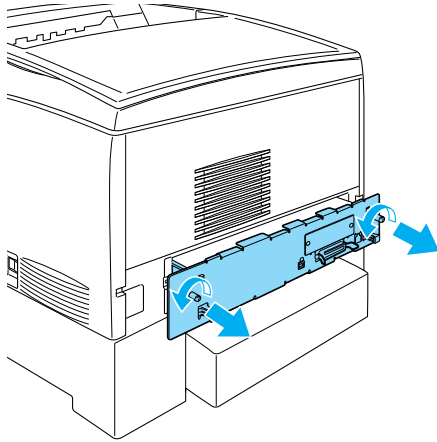


Warning:

Be careful when working inside the printer as some components are sharp and may cause injury.

1. Turn the printer off and unplug the power cord.
2. Remove all interface cables from the interface connectors.

3. Loosen the two screws on the back of the printer.



Warning:

Removing other screws and covers will expose high voltage areas.

4. Pull out the circuit board tray.
5. Loosen the three screws on the Hard Disk Drive, and pull out the connector from the circuit board.

Note:

Keep the three screws with Hard Disk Drive.

6. Slide the circuit board tray into the printer.
7. Fasten the circuit board tray with the two screws.
8. Reconnect all interface cables and the power cord.
9. Plug the printer's power cord into an electrical outlet.
10. Turn on the printer.

Memory Modules

Your printer comes with 64 MB of standard memory. You can increase printer memory up to 1024 MB by installing optional DIMMs (Dual In-line Memory Modules). Increasing the printer's memory is recommended if you regularly use numerous downloaded fonts or print graphics-intensive pages.

This printer has two memory slots, but one slot has a 64 MB DIMM already installed in it at the time of manufacture. To increase printer memory more than 578 MB, you have to remove the original 64 MB DIMM first and then install two optional DIMMs.

See “Memory modules” on page 348 for details about memory module requirements.

Installing a memory module

Follow these steps to install a memory module:



Caution:

Before you install a memory module, be sure to discharge any static electricity by touching a grounded piece of metal. Otherwise, you may damage static-sensitive components.

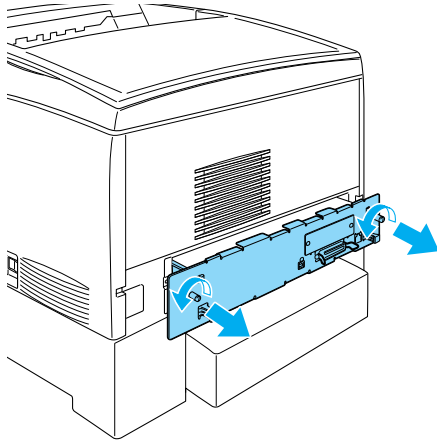


Warning:

Be careful when working inside the printer as some components are sharp and may cause injury.

1. Turn the printer off and unplug the power cord.
2. Remove all interface cables from the interface connectors.

3. Loosen the two screws on the back of the printer.

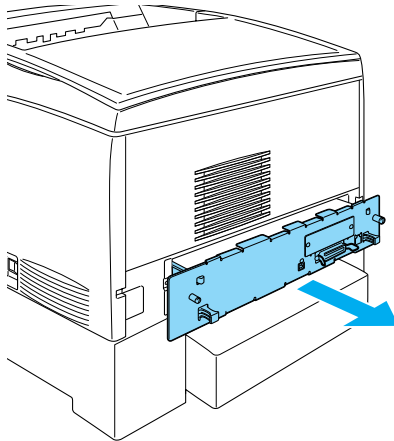


Warning:

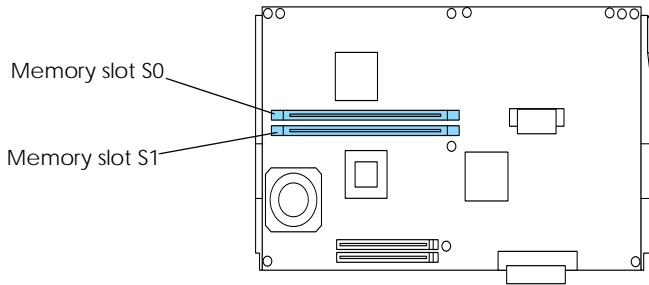
Removing other screws and covers will expose high voltage areas.

7

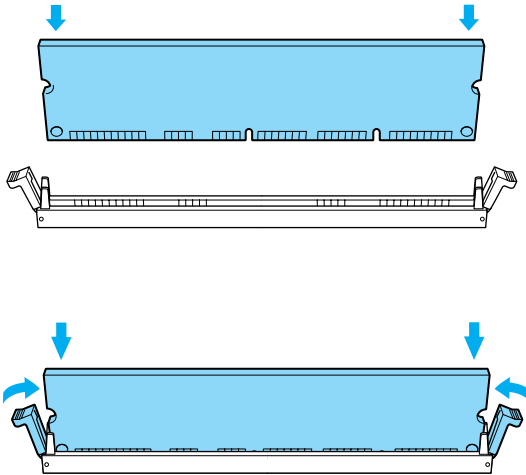
4. Pull out the circuit board tray.



5. Identify the memory slot. Its position is shown below.



6. Hold the memory module above the memory slot and insert it into the slot until the clips come up to hold the memory module securely in place. Do not apply too much force.

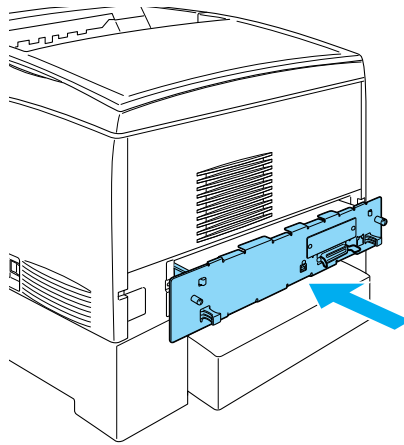




Caution:

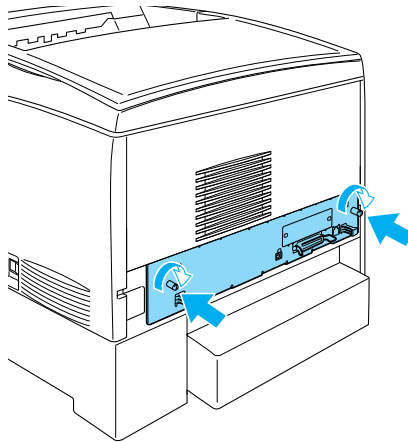
- ❑ *Do not force the memory into the slot.*
- ❑ *Be sure to insert the memory facing the correct way.*
- ❑ *Do not remove any modules from the circuit board. Otherwise, the printer will not work.*
- ❑ *Make sure that one module (more than 64 MB) is installed in the SO slot.*

7. Slide the circuit board tray into the printer.



7

8. Fasten the circuit board tray with the two screws.



9. Reconnect all the interface cables and the power cord.
10. Plug the printer's power cord into an electrical outlet.
11. Turn on the printer.

To confirm that the memory module is installed correctly, print a status sheet. See “Printing a Status Sheet” on page 253 for instructions. If the total amount of memory listed does not include the size of the optional memory module, try reinstalling the module. Make sure that the module is securely seated into the memory slot on the circuit board.

Note:

If you are using Windows, and EPSON Status Monitor 3 is not installed, you have to make settings manually in the printer driver. Click the Update the Printer Option Information Manually button on the Optional Settings menu, then click Settings. Then select the number of bytes of the memory you installed from the Installed Memory drop-down list on the Optional Settings dialog box and click OK.

Removing a memory module

Follow these steps to remove a memory module:



Caution:

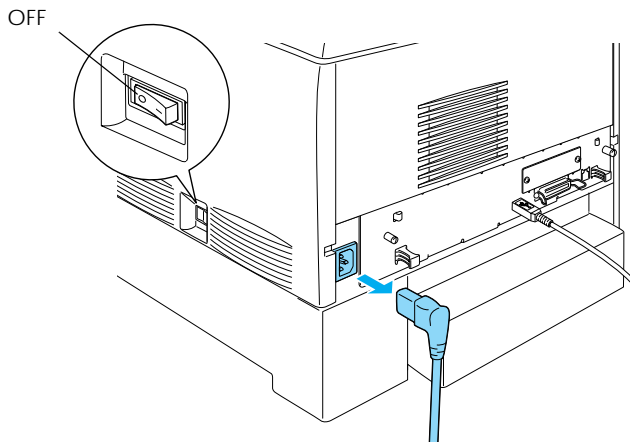
Before you remove a memory module, be sure to discharge any static electricity by touching a grounded piece of metal. Otherwise, you may damage static-sensitive components.



Warning:

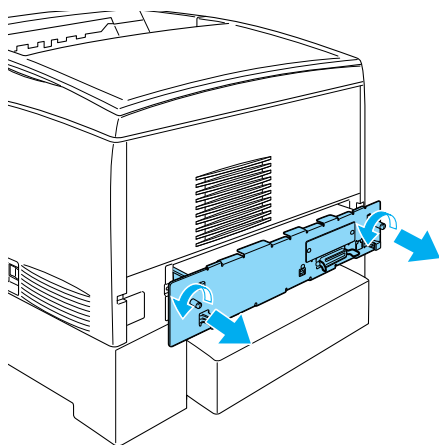
Be careful when working inside the printer as some components are sharp and may cause injury.

1. Turn the printer off and unplug the power cord.



2. Remove all interface cables from the interface connectors.

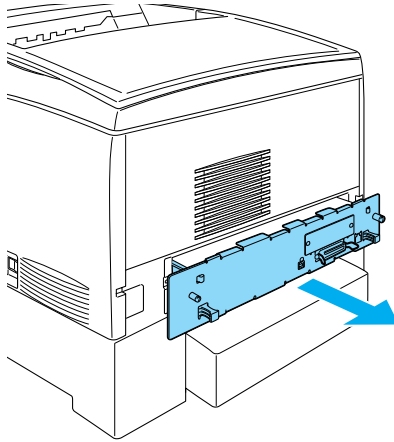
3. Loosen the two screws on the back of the printer.



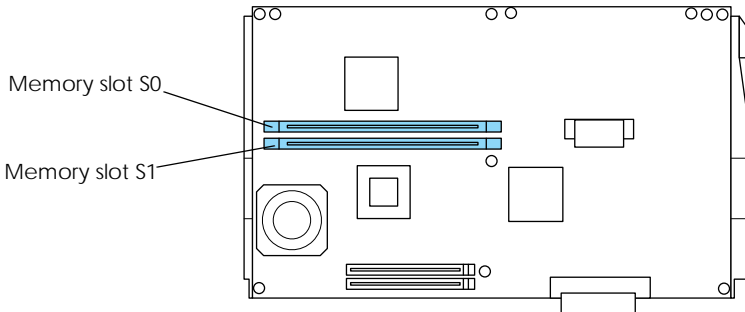
Warning:

Removing other screws and covers will expose high voltage areas.

4. Pull out the circuit board tray.



5. Identify the memory slot. Its position is shown below.

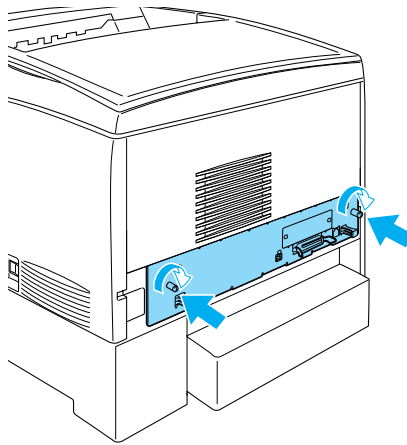


6. Grasp both sides of the memory module and pull the module out.



Caution:

- ❑ *Do not remove any other modules from the circuit board. Otherwise, the printer will not work.*
 - ❑ *Make sure that the more than 64 MB memory module is installed in the S0 slot. Otherwise, the printer will not work.*
7. Store the memory module in an anti-static packet such as the one it came packaged in.
 8. Slide the circuit board tray into the printer.
 9. Fasten the circuit board tray with the two screws.



10. Reconnect all the interface cables and the power cord.
11. Plug the printer's power cord into an electrical outlet.
12. Turn on the printer.

Adobe PostScript 3 ROM Module

In some locations, the Adobe PostScript 3 Kit (C12C832501) ROM module is available as an option. This module allows your printer to print documents in the PostScript printing language.

Note:

The features provided by the Adobe PostScript 3 ROM Module cannot be used when the printer is connected to a Macintosh computer using an optional IEEE 1394 Type B Interface Card.

Installing the Adobe PostScript 3 ROM module

Follow these steps to install the Adobe PostScript 3 ROM module:



Caution:

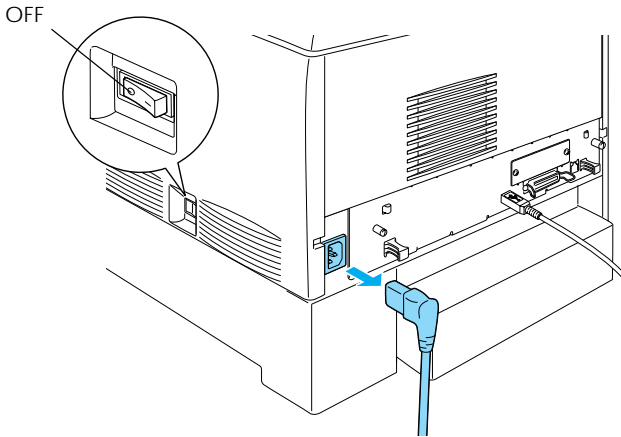
Before you install the ROM module, be sure to discharge any static electricity by touching a grounded piece of metal. Otherwise, you may damage static-sensitive components.



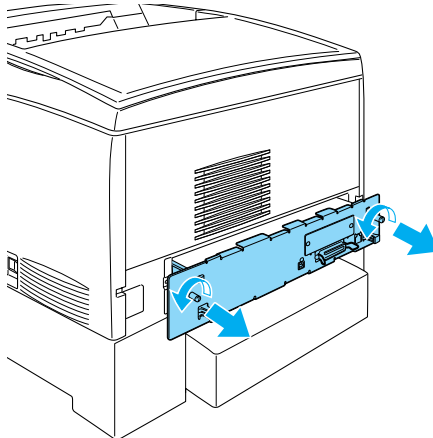
Warning:

Be careful when working inside the printer as some components are sharp and may cause injury.

1. Turn the printer off and unplug the power cord.



2. Remove all interface cables from the interface connectors.
3. Loosen the two screws on the back of the printer.

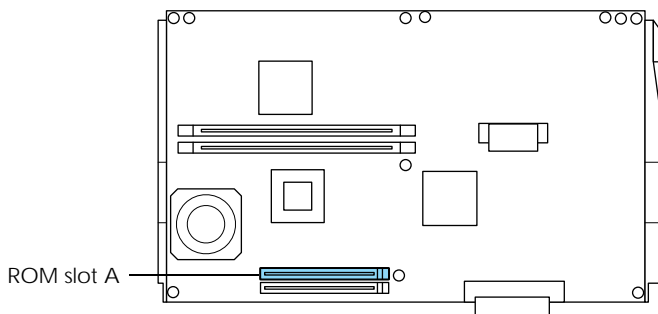




Warning:

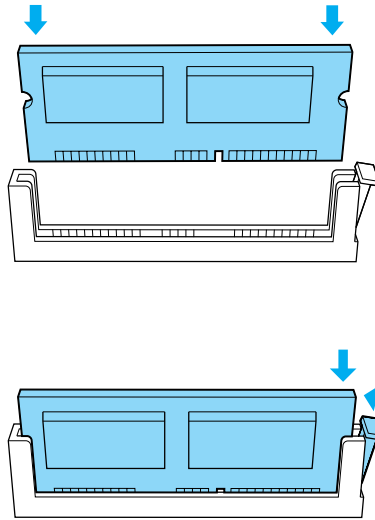
Removing other screws and covers will expose high voltage areas.

4. Pull out the circuit board tray.
5. Identify the ROM slot A. Its position is shown below.



6. Remove the ROM module from its package.

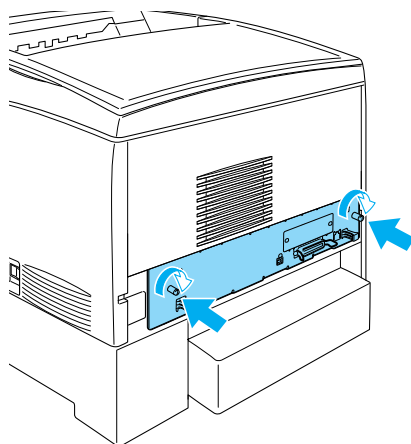
7. Hold the ROM module above the slot and insert it into the slot A in the orientation shown below, until the clip comes up to hold the ROM module securely in place. Do not apply too much force.



Caution:

- Do not force the ROM into the slot.
 - Be sure to insert the ROM facing the correct way.
 - Do not remove any modules from the circuit board. Otherwise, the printer will not work.
8. Slide the circuit board tray into the printer.

9. Fasten the circuit board tray with the two screws.



10. Reconnect all the interface cables and the power cord.
11. Plug the printer's power cord into an electrical outlet.
12. Turn on the printer.
13. To confirm that the Adobe PostScript 3 ROM module is installed correctly, print a status sheet. See "Printing a Status Sheet" on page 253 for instructions. If PS3 is not listed as an installed emulation on the status sheet, try reinstalling the module. Make sure that it is securely seated into the ROM slot on the circuit board.

Note:

If you are using Windows, and EPSON Status Monitor 3 is not installed, you have to make settings manually in the printer driver. Click the Update the Printer Option Information Manually button on the Optional Settings menu, then click Settings. Then make the appropriate setting on the Optional Settings dialog box and click OK.

Removing the Adobe PostScript 3 ROM module

Follow these steps to remove the Adobe PostScript 3 ROM module:



Caution:

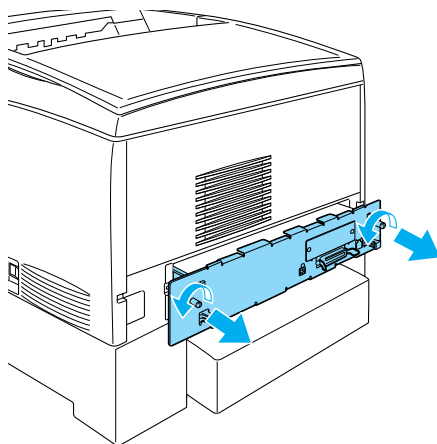
Before you remove the ROM module, be sure to discharge any static electricity by touching a grounded piece of metal. Otherwise, you may damage static-sensitive components.



Warning:

Be careful when working inside the printer as some components are sharp and may cause injury.

1. Make sure the printer is off, then unplug the power cord.
2. Remove all interface cables from the interface connectors.
3. Loosen the two screws on the back of the printer.

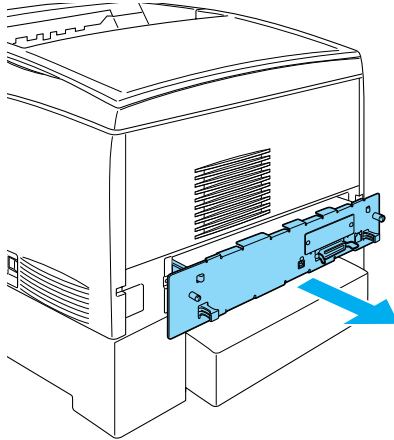




Warning:

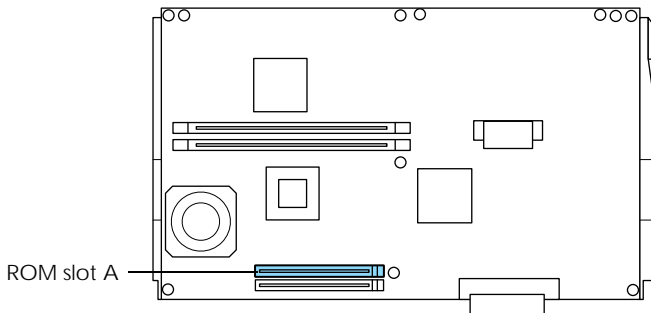
Removing other screws and covers will expose high voltage areas.

4. Pull out the circuit board tray.



7

5. Identify the ROM slot A. Its position is shown below.



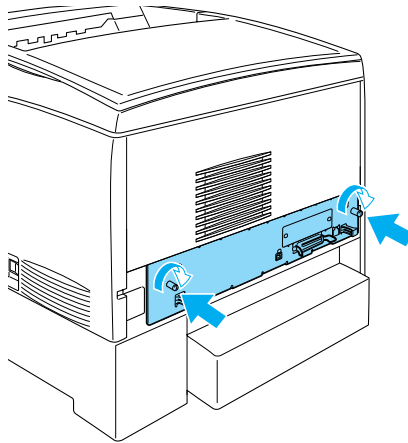
6. Push down on the tab on the right side of the ROM slot to raise the module out of the slot A.



Caution:

*Do not remove the ROM module from the ROM slot P.
Otherwise, the printer will not work.*

7. Remove the ROM module from the slot A. Store the ROM module in an anti-static packet such as the one it came packaged in.
8. Slide the circuit board tray into the printer.
9. Fasten the circuit board tray with the two screws.



10. Reconnect all the interface cables and the power cord.
11. Plug the printer's power cord into an electrical outlet.
12. Turn on the printer.

Interface Card

You can install various optional interface cards to supplement your printer's built-in parallel, USB, and Ethernet interfaces and provide added network compatibility.

If you are unsure whether you need this optional interface or would like to know more about interfaces, contact your dealer.

Installing an interface card

Follow these steps to install an interface card:



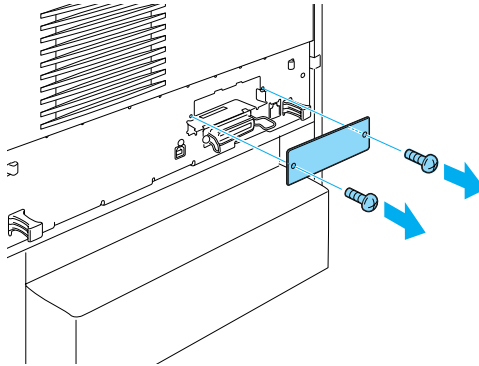
Caution:

Before you install an interface card, be sure to discharge any static electricity by touching a grounded piece of metal. Otherwise, you may damage static-sensitive components.

1. Turn the printer off and unplug the power cord.
2. Make sure any switches and jumpers on the card are set as necessary. See the interface card's manual for details.

7

3. Remove the screws and the interface slot cover from the back of the printer.



Note:

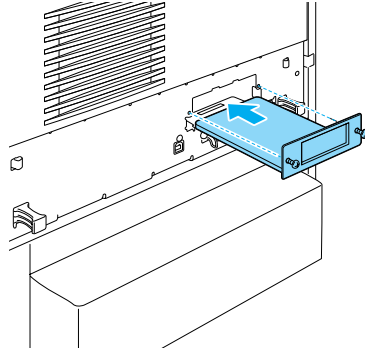
Keep the slot cover in a safe place. You will need to reattach it if you remove the interface card later.



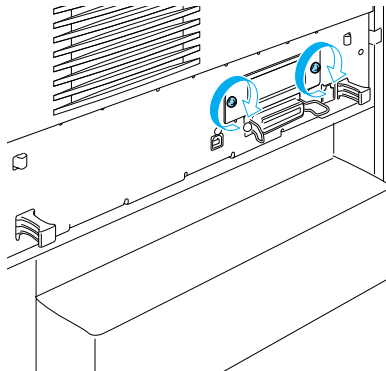
Warning:

Removing other screws and covers will expose high voltage areas.

- Slide and push the interface card into the slot firmly, making sure that the connector at the back of the interface card is fully inserted into the socket.



- Secure the interface card by fastening the retaining screws.



- Plug the printer's power cord into an electrical outlet.
- Turn on the printer.

To confirm that the interface card is installed correctly, print a status sheet. See “Printing a Status Sheet” on page 253 for instructions. If the interface is not listed on the status sheet, try reinstalling the card. Make sure that the card is securely fastened to the socket.

Note:

If you are using Windows, and EPSON Status Monitor 3 is not installed, you have to make settings manually in the printer driver. Click the Update the Printer Option Information Manually button on the Optional Settings menu, then click Settings. Then make the appropriate setting on the Optional Settings dialog box and click OK.

Removing an interface card

Follow these steps to remove an interface card:

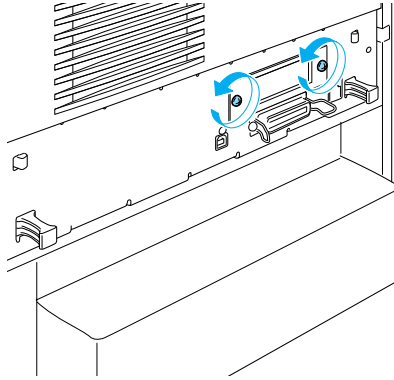


Caution:

Before you remove an interface card, be sure to discharge any static electricity by touching a grounded piece of metal. Otherwise, you may damage static-sensitive components.

1. Turn the printer off and unplug the power cord.

2. Remove the two screws securing the interface card to the back of the printer.



3. Gently but firmly pull the interface card out of the socket.
4. Reinstall the interface slot cover (removed and stored when the interface card was installed) over the now empty slot. Use the two screws to secure it.
5. Keep the interface card in an anti-static packet such as the one it came packaged in.

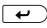
Printing a Status Sheet

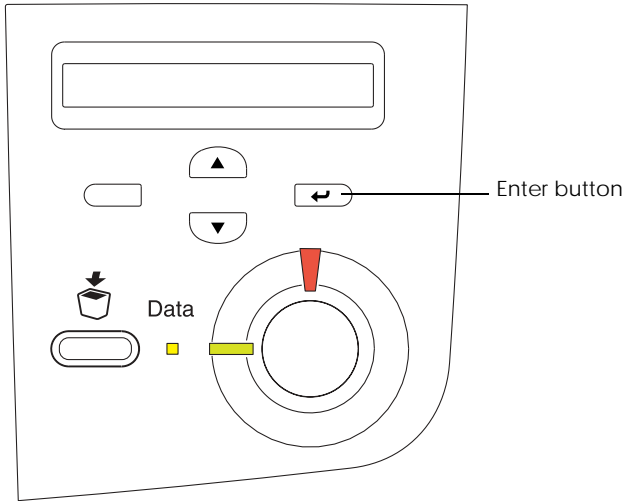
To confirm that the options are installed correctly, print a status sheet using the printer's control panel.

1. Turn on the printer. After about 30 seconds, the LCD panel shows `Ready`.

Note:

The time may vary depending on the amount of memory installed.

2. Press the  Enter button three times. The printer prints a status sheet.



3. Confirm that the information about the installed options is correct. If the options are installed properly, they appear under Hardware Configurations. If the options are not listed, try reinstalling them.

Note:

- If the status sheet does not list your installed options correctly, make sure that they are securely connected to the printer.*
- If you are unable to get the printer to print a correct status sheet, contact your dealer.*
- For the Windows printer driver, you can update the installed option information manually. Click the Update the Printer Option Information Manually button, and click Settings from the Optional Settings menu. The Optional Settings dialog box appears. Make settings for each installed option, then click OK.*

Chapter 8

Maintenance and Transportation

Replacing Consumable Products	256
Precautions during replacement	256
Replacement messages	257
Toner cartridges	258
Photoconductor unit	263
Fuser unit	270
Transfer unit	275
Cleaning the Printer	279
Transporting the Printer	279
Finding a place for the printer	283
Checking color registration	284

Replacing Consumable Products

Messages on the LCD panel and in EPSON Status Monitor 3 will inform you when it is time to replace the printer's consumable products.

Precautions during replacement

Keep the following in mind when replacing consumable products.

- Provide enough space for the replacement procedure. You will have to open some parts (such as the front cover) of the printer when you are replacing consumables.
- Do not install used consumable products into the printer.



Warning:

- Be careful not to touch the fuser, which is marked CAUTION HIGH TEMPERATURE, or the surrounding areas. If the printer has been in use, the fuser and the surrounding areas may be very hot.*
- Do not dispose of used consumable products in fire, as they may explode and cause injury. Dispose of them according to local regulations.*

Replacement messages

When you see the following messages on the LCD panel, or when notified by the EPSON Status Monitor 3, it is time to replace the indicated consumable products. You can continue to print for a short time after a message appears, but EPSON recommends early replacement to maintain print quality and extend the life of your printer.

LCD Panel Message	Description
XXXX* Toner Low	The amount of toner remaining in the indicated toner cartridges is low.
Worn Photoconductor	The photoconductor unit has reached the end of its service life.
Worn Fuser	The fuser unit has reached the end of its service life.
Worn Transfer Unit	The transfer unit is near the end of its service life.

* The letters C, M, Y, and K appear in this position, indicating the color of the toner to be replaced. For example, the message Y Toner Low means that the amount of toner remaining in the yellow toner cartridge is low.

Note:

- Do not replace the toner cartridge when the XXXX Toner Low message appears. Toner remaining in the toner cartridge may spill out if you remove the toner cartridge to replace it. Replace the toner cartridge when the XXXX Toner Out message appears.*
- If you replace the toner cartridge before the XXXX Toner Out message appears, it is not detected as a new toner cartridge and the XXXX Toner Low warning may not be cleared.*
- To clear the warning, select Clear Warning from the control panel's Reset Menu.*

If you continue to use the printer without replacing consumable products and a consumable product reaches the end of its service life, the printer stops printing, EPSON Status Monitor 3 notifies you of a change in printer status, and the following messages appear on the LCD panel. When this happens, the printer cannot resume printing until you replace the depleted consumable products.

LCD Panel Message	Description
XXXX* Toner Out	The indicated toner cartridges are empty.
Replace Photoconductr	Printing has stopped to avoid damage to the engine.
Replace TransferUnit	The transfer unit has reached the end of its service life.

* The letters C, M, Y, and K appear in this position, indicating the color of the toner to be replaced. For example, the message Y Toner Low means that the amount of toner remaining in the yellow toner cartridge is low.

Note:

Messages appear for one consumable product at a time. After replacing a consumable product, check the LCD panel for replacement messages for other consumable products.

Toner cartridges

Replace empty toner cartridges only with the toner cartridges listed below:

Toner Cartridge (Yellow)	S050088
Toner Cartridge (Magenta)	S050089
Toner Cartridge (Cyan)	S050090
Toner Cartridge (Black)	S050091

Handling precautions

Note the following handling precautions before replacing toner cartridges:

- Do not install used toner cartridges.
- Do not remove toner cartridges except when replacing them; otherwise, toner may spill.
- Wait for at least one hour before installing a toner cartridge after moving it from a cool to a warm environment to prevent damage from condensation.



Warning:

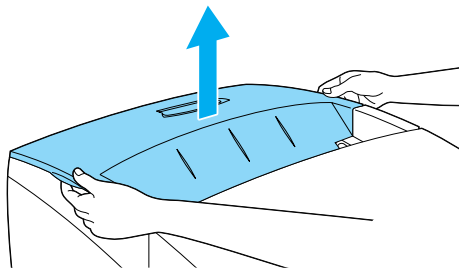
- Do not touch the toner and avoid getting toner in your eyes. If toner gets on your skin or clothes, wash it off with soap and water immediately.*
- Keep toner cartridges out of the reach of children.*
- Do not dispose of used toner cartridges in fire, as they may explode and cause injury. Dispose of them according to local regulations.*

Replacing a toner cartridge

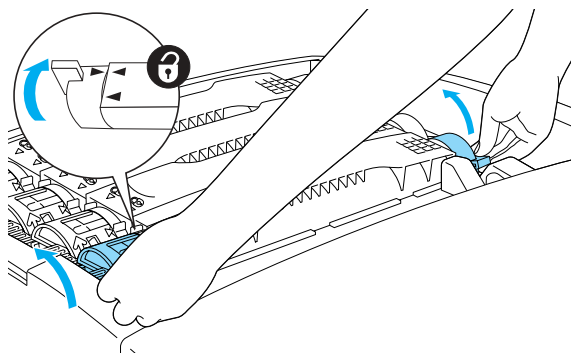
Follow these steps to replace a toner cartridge.

1. Confirm the color of the toner cartridge that needs to be replaced by checking the LCD panel or EPSON Status Monitor 3.

2. Remove the top cover.

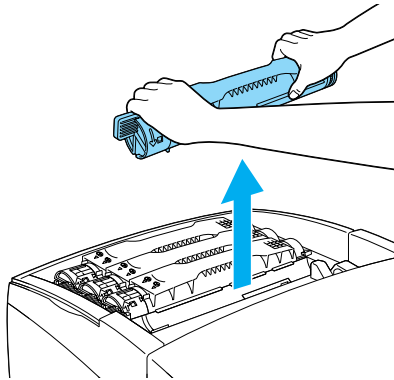


3. Turn the toner cartridge knobs to the unlocked position.



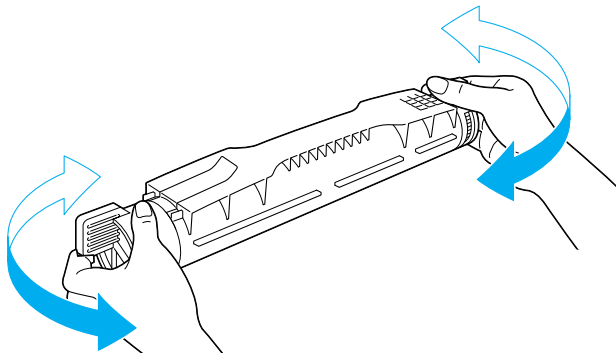
Note:
Hold the knobs with both hands.

4. Lift the toner cartridge out of the slot.



Note:

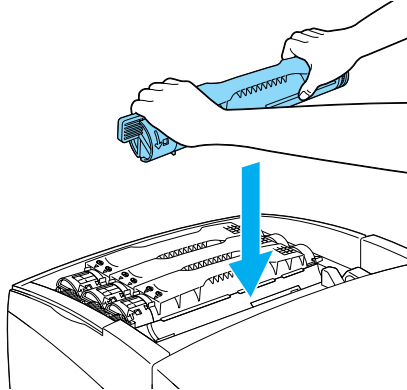
- ❑ *Be careful not to spill the toner remaining in the cartridge.*
 - ❑ *Put the used cartridge on a flat surface with the toner spout facing up to avoid spilling the toner.*
 - ❑ *Dispose of the used toner cartridge by putting it into its disposal bag.*
5. Take the new toner cartridge out of its package, and gently shake it from side to side and front to back to distribute the toner evenly.



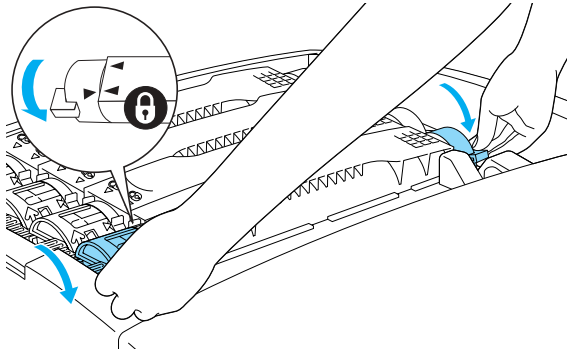
Note:

Do not remove the protective tape yet.

6. Hold the toner cartridge as shown below, and lower it into the slot.



7. Turn the toner cartridge knobs to the locked position.



Note:

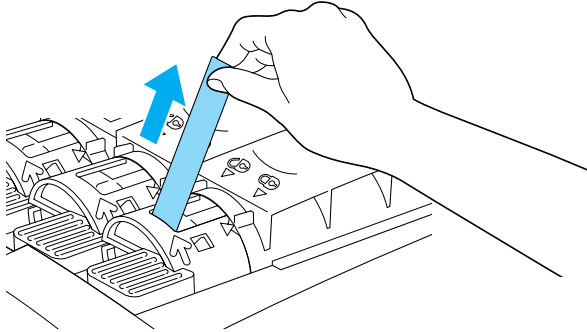
Hold the knobs with both hands and turn them until they click.



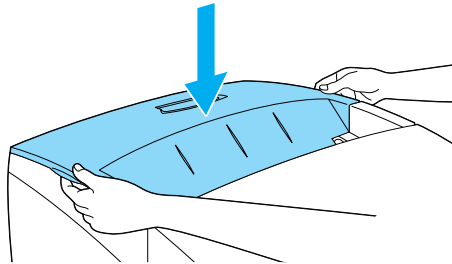
Caution:

Be sure to turn the knob all the way to the locked position. Otherwise, you may have toner problems or leakage.

8. Remove the protective tape from the toner cartridge.



9. Replace the top cover.



Photoconductor unit

Prepare a new photoconductor unit for replacement when you see a message informing you to do so.

Handling precautions

Note the following handling precautions before replacing the photoconductor unit:

- ❑ The photoconductor unit weighs 4.5 kg (9.9 lb). Be sure to hold it firmly by the handle when carrying it.
- ❑ When replacing the photoconductor unit, avoid exposing it to room light any longer than necessary.
- ❑ Be careful not to scratch the surface of the drum. Also, avoid touching the drum, since oil from your skin may permanently damage its surface and affect print quality.
- ❑ To get the best print quality, do not store the photoconductor unit in an area subject to direct sunlight, dust, salty air, or corrosive gases (such as ammonia). Avoid locations subject to extreme or rapid changes in temperature or humidity.
- ❑ Do not tilt the photoconductor unit.



Warning:

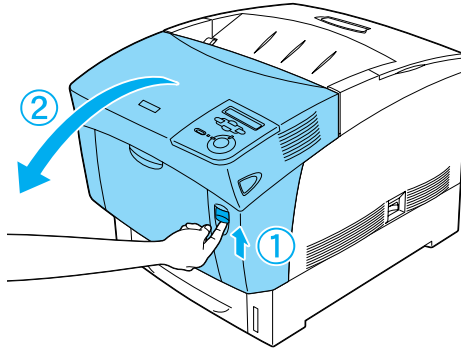
- ❑ *Do not dispose of the used photoconductor unit in fire, as it may explode and cause injury. Dispose of it according to local regulations.*
- ❑ *Keep the photoconductor unit out of the reach of children.*

Replacing the photoconductor unit

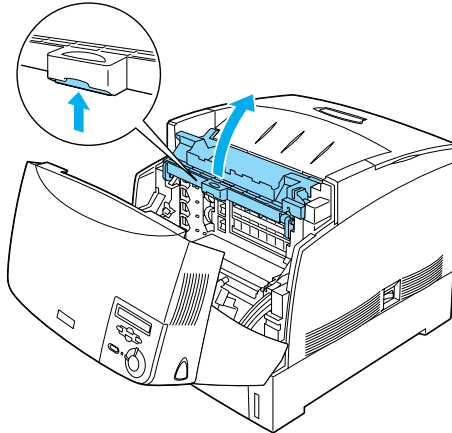
Follow these steps to replace the photoconductor unit.

1. Turn off the printer.

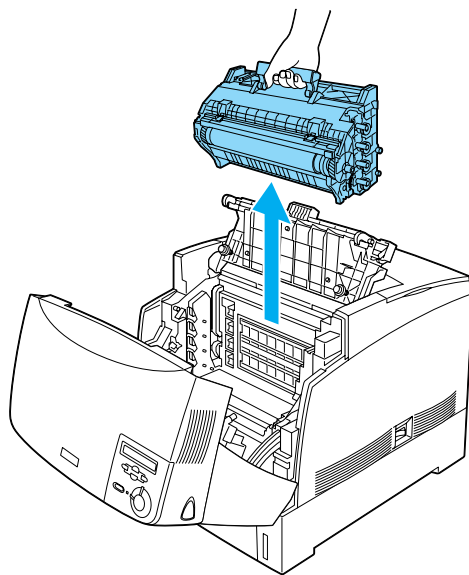
2. Press the latch on cover A and open the cover.



3. Raise cover D.



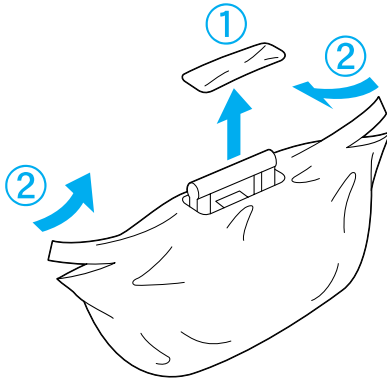
4. Hold the photoconductor unit by the handle, and slowly lift it straight out of the printer.



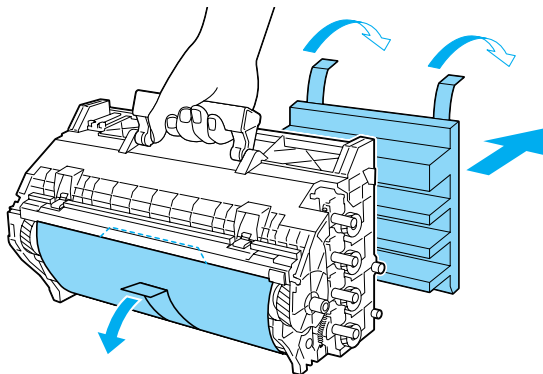
5. Take the new photoconductor unit and tear away the top portion of the bag along the dotted line to expose the handle. Then, grab the handle and remove the styrofoam insert and tear open the bag along the dotted line.

Note:

Always keep the cartridge positioned as shown in the illustration.



6. Unwrap the protective sheet and material while holding the handle as shown below.

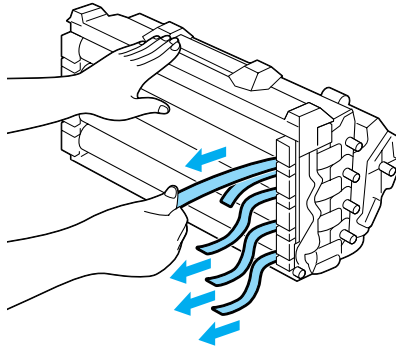




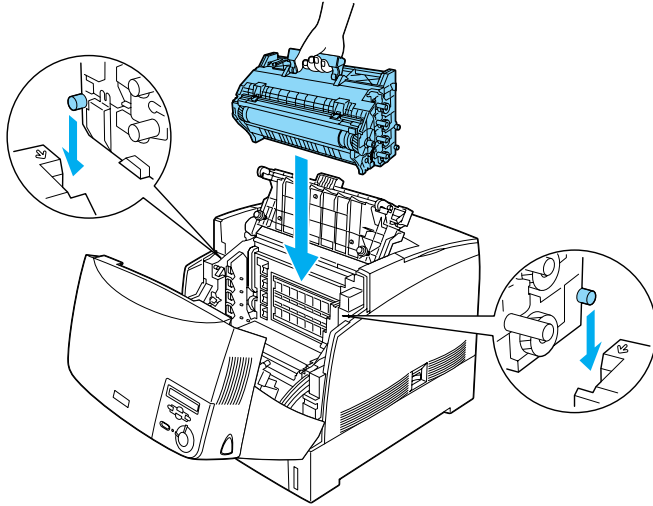
Caution:

- ❑ *Be careful not to touch or scratch the surface of the drum.*
- ❑ *Avoid touching the drum, since oil from your skin may permanently damage its surface and affect print quality.*

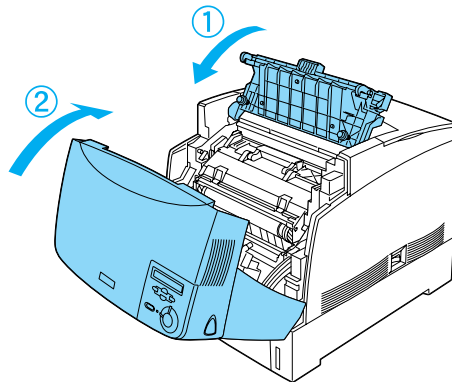
7. Remove the protective tapes.



8. Holding the handle firmly, lower the photoconductor unit into the printer, making sure the posts on the sides of the unit slide into the slots.



9. Close covers D and A.



Fuser unit

Prepare a new fuser unit for replacement when you get a message informing you to do so.

Handling precautions

Note the following handling precautions before replacing the fuser unit:

- Do not touch the surface of the fuser unit. Doing so may impair print quality.



Warning:

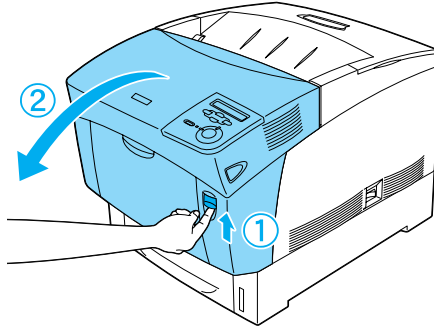
- The fuser unit can be very hot if the printer has been in use. Turn the printer off and wait for 30 minutes until the temperature has subsided before replacing the fuser unit.*
- Do not dispose of the used fuser unit in fire, as it may explode and cause injury. Dispose of it according to local regulations.*
- Keep the fuser unit out of the reach of children.*

Replacing the fuser unit

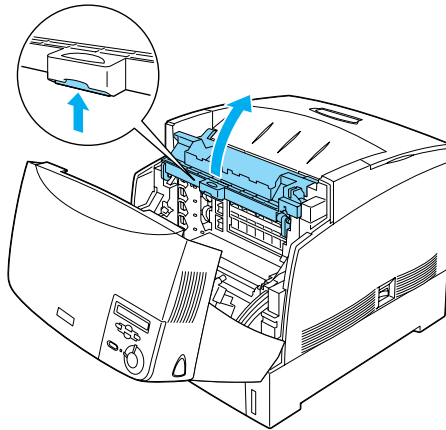
Follow these steps to replace the fuser unit.

1. Turn off the printer, and wait for 30 minutes until the temperature has subsided.

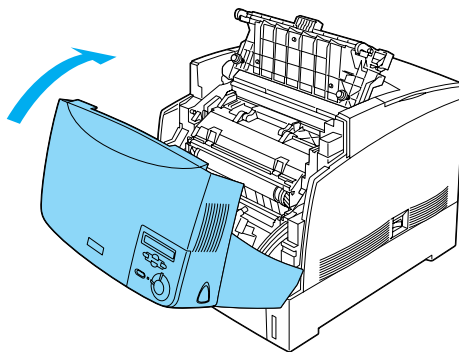
2. Press the latch on cover A and open the cover.



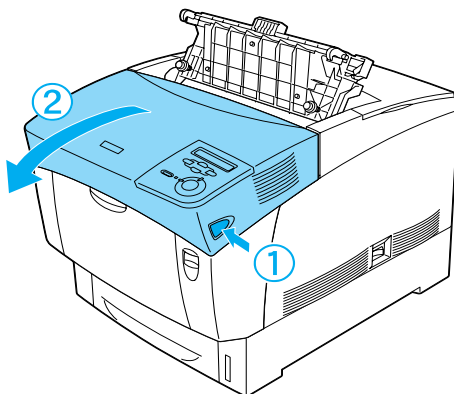
3. Raise cover D.



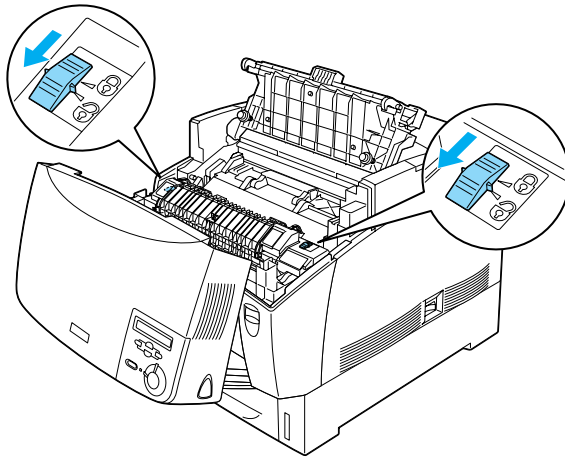
4. Close cover A.



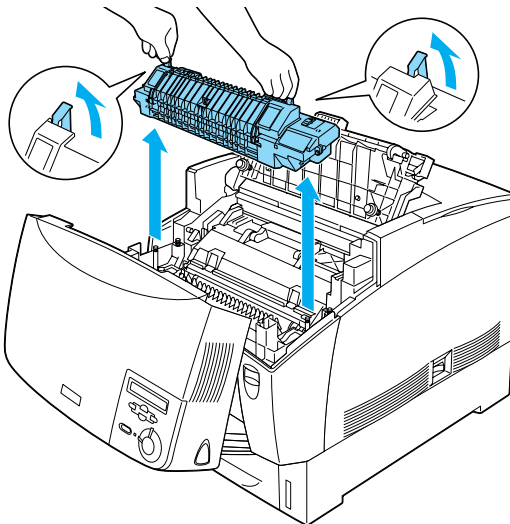
5. Press the latch on cover B and open the cover.



6. Unlock the locks on both sides of the fuser unit.

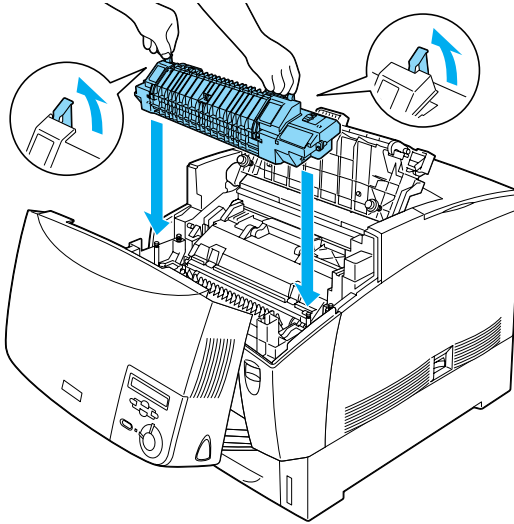


7. Lift the fuser unit out of the printer as shown below.

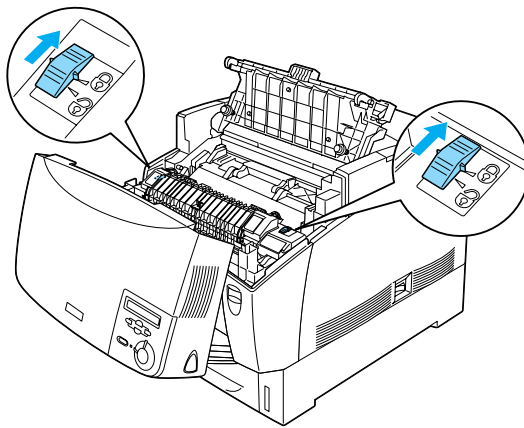


8. Take the new fuser unit out of its package.

9. Hold the new fuser unit by the handles and lower it into the printer making sure that the guide posts slide into the holes on the bottom of the unit.



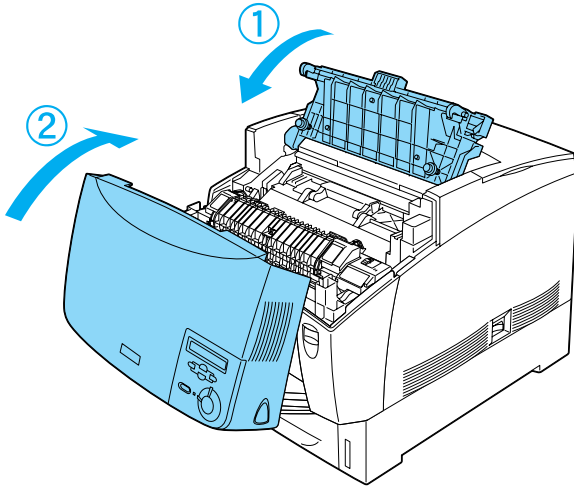
10. Lock the fuser unit.



Note:

Make sure that the locks are completely in the locked position.

11. Close covers D and B.



Transfer unit

Prepare a new transfer unit for replacement when you get a message informing you to do so.

8

Handling precautions

Note the following handling precautions before replacing the transfer unit:

- Do not touch the surface of the transfer unit. Doing so may impair print quality.



Warning:

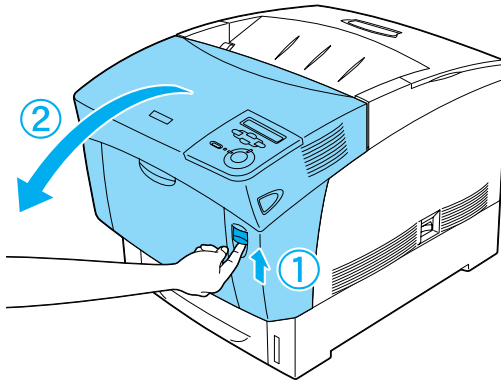
- ❑ *Do not dispose of the used transfer unit in fire, as it may explode and cause injury. Dispose of it according to local regulations.*

- ❑ *Keep the fuser unit out of the reach of children.*

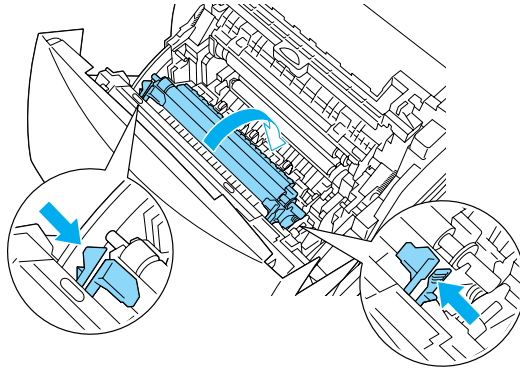
Replacing the transfer unit

Follow these steps to replace the transfer unit.

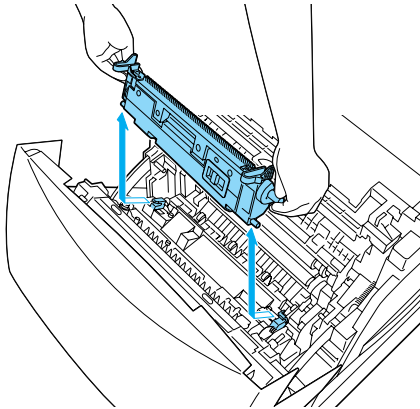
1. Press the latch on cover A and open the cover A.



2. Grasp the two orange tabs and pull the unit forward and down, then lift the unit out of the printer.

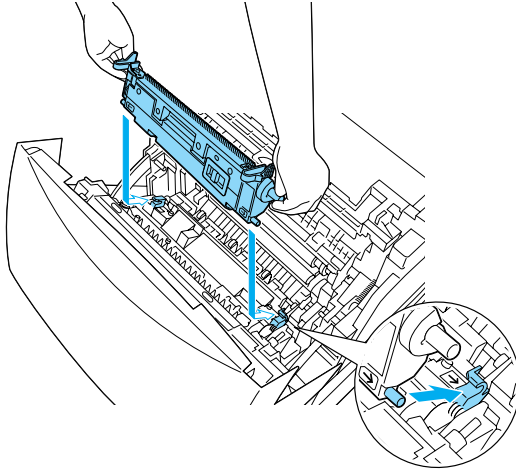


3. Pull the transfer unit out of the printer.

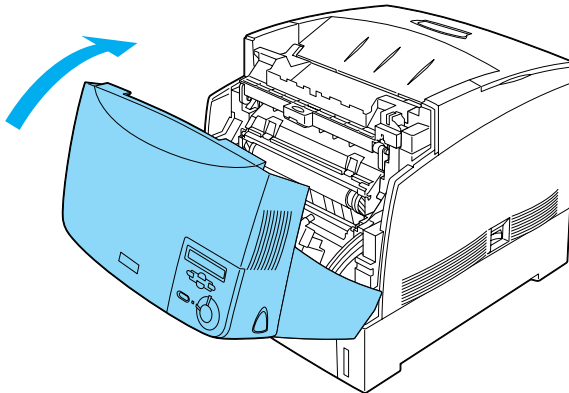


4. Take the new transfer unit from its package.

5. Hold the new transfer unit by the orange tabs and lower it into the printer, making sure that it fits into the guides. Push the transfer unit in and up until it clicks into place.

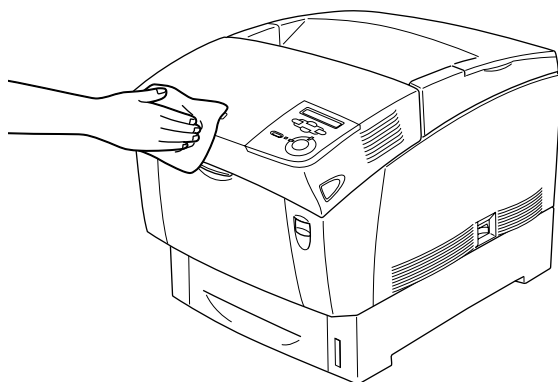


6. Close cover A.



Cleaning the Printer

The printer needs only minimal cleaning. If the printer's outer case is dirty or dusty, turn off the printer and clean it with a soft, clean cloth moistened with a mild detergent.



Caution:

Never use alcohol or paint thinner to clean the printer case; these chemicals can damage the components and the case. Be careful not to get water onto the printer mechanism or any electrical components.

8

Transporting the Printer

Long distances

If you need to transport your printer for long distances, carefully repack it using the original box and packing materials.

Follow these steps to repack your printer.

1. Turn off the printer.

2. Unplug the power cord.
3. Remove the photoconductor unit. For information on removing the photoconductor unit, see “Photoconductor unit” on page 263. Then pack them in their original boxes with the protective materials they came in.
4. Remove the optional Large Capacity Paper Unit. For information on removing the Large Capacity Paper Unit, see “Removing the Large Capacity Paper Unit” on page 221.
5. Attach the protective materials to the printer, then repack the printer in its original box.

After unpacking and setting your printer at the new location, you need to check the color registration and adjust the color alignment if necessary. See “Checking color registration” on page 284 for instructions.

Short distances

Note the following handling precautions when you need to move the printer for a short distance:

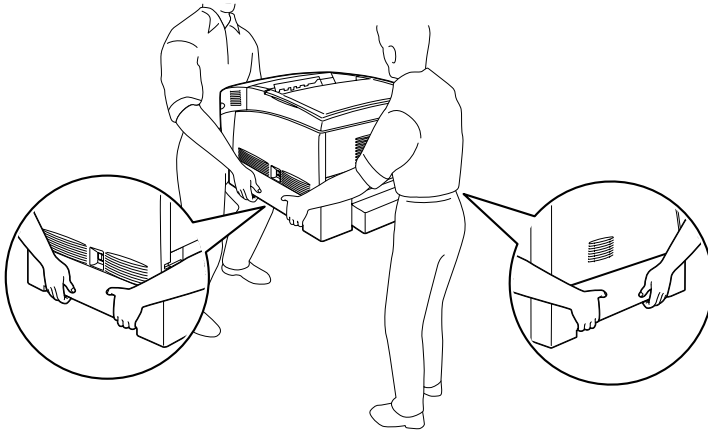
- ❑ If you are moving the printer together with the optional Large Capacity Paper Unit, you can move it by using the casters on the unit. See “Moving the printer with the Large Capacity Paper Unit installed” on page 281.
- ❑ If you are moving the printer by itself, two or more people should lift and carry the printer. See “Moving the printer” on page 280.

Moving the printer

Follow these steps to move the printer for a short distance.

1. Turn off the printer and remove the following items:

- Power cord
 - Interface cable
 - Paper
 - Photoconductor unit
2. Be sure to lift the printer with two or more people.



Caution:
Do not hold the printer by the MP tray.

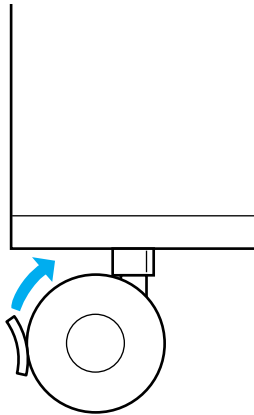
3. When moving the printer, always keep it horizontal.

Moving the printer with the Large Capacity Paper Unit installed

Follow these steps to move the printer together with the optional Large Capacity Paper Unit.

1. Turn off the printer and remove the following items:

- Power cord
 - Interface cable
 - Paper
 - Photoconductor unit
2. Unlock the two casters at the bottom of the Large Capacity Paper Unit.



3. Roll the printer to the new location.
4. Lock the casters after relocating the printer.

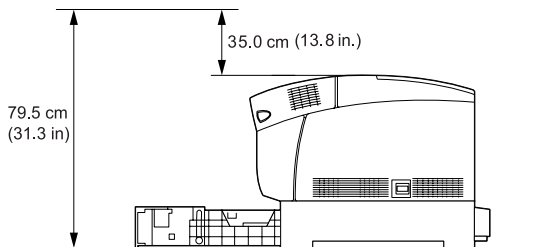
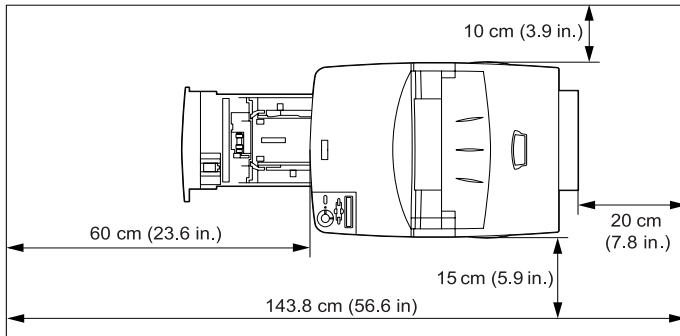


Caution:

Do not roll the printer on angled or uneven surfaces.

Finding a place for the printer

When relocating the printer, always choose a location that has adequate space for easy operation and maintenance. Use the following illustration as a guide for the amount of space required around the printer to ensure smooth operation.



To install and use the Large Capacity Paper Unit, you will need an additional 35.2 cm (14.3 in.) to install the unit beneath the printer.

In addition to space considerations, note the following precautions when finding a place to locate the printer:

- ❑ Place the printer where you can easily unplug the power cord.
- ❑ Keep the entire computer and printer system away from potential sources of interference, such as loudspeakers or the base units of cordless telephones.
- ❑ Avoid using an electrical outlet that is controlled by wall switches or automatic timers. Accidental disruption of power can erase valuable information in your computer's and printer's memories.



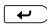

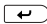
Caution:

- ❑ *Leave adequate room around the printer to allow for sufficient ventilation.*
- ❑ *Avoid locations that are subject to direct sunlight, excessive heat, moisture, or dust.*
- ❑ *Avoid using outlets that other appliances are plugged into.*
- ❑ *Use a grounded outlet that matches the printer's power plug. Do not use an adapter plug.*
- ❑ *Only use an outlet that meets the power requirements for this printer.*

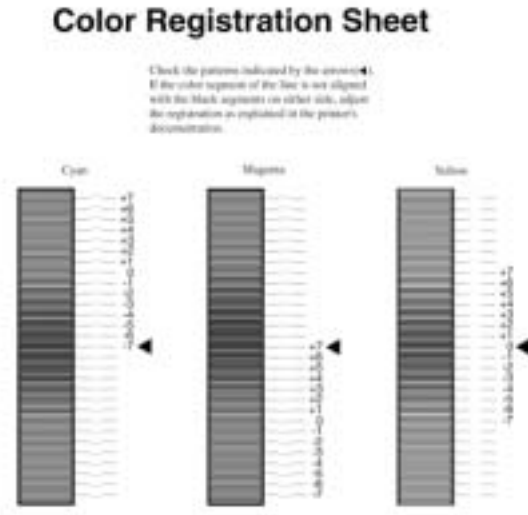
Checking color registration

If you transported your printer for a long distance, you need to check the color registration for possible misalignment.

Follow these steps to check the color registration.



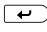
1. Turn on the printer.
2. Load paper into the MP tray.
3. Make sure the LCD panel displays `Ready` or `Standby`, then press the  Enter button on the control panel twice.
4. Press the  Down button several times to display `ColorResist Sheet`.
5. Press the  Enter button. The printer prints a color registration sheet.

- The arrow (◀) points to the current settings. Check the patterns indicated by the arrows (◀). If the color segment of the line is in alignment with the black segments on either side to make one straight line, you do not need to adjust the registration for that color. If the line segments are not aligned, adjust the registration as explained below.



Adjusting color registration alignment

- Make sure the LCD panel displays Ready or Standby, then press the Enter button to access the control panel menus.
- Press the Down button several times until the LCD panel displays Setup Menu, then press the Enter button.
- Press the Up button several times until the LCD displays the XXXResist item for the color (Cyan, Magenta, and Yellow) you need to adjust, then press the Enter button. For example, to adjust the cyan registration, scroll up to CyanResist, then press the Enter button.

4. On the color registration sheet, find the line segments that are most closely aligned, then use the  Up or  Down button to display the number that corresponds to that pattern. Press the  Enter button to complete the adjustment.
5. If necessary, print the color registration sheet for confirmation.

Chapter 9

Troubleshooting

Clearing Jammed Paper	290
Precautions for clearing jammed paper	290
Jam AB (covers A and B)	291
Jam A (cover A)	293
Jam AC (cover A and paper cassettes)	297
Jam B (cover B)	302
Jam ABC (cover A, paper cassettes and cover B)	304
Jam in the MP tray	305
Problems and Solutions	306
Operational problems	306
Printout problems	307
Color printing problems	310
Print quality problems	311
Paper handling problems	315
Status and Error Messages	316
Canceling Printing	332
Using the printer driver	332
Using the Job Cancel button	332
Using the Reset Menu	333

Clearing Jammed Paper

When paper is jammed in the printer, the printer's LCD panel and EPSON Status Monitor 3 display alert messages indicating the location of the jam.

Read the general precautions below, then find the title in this section that corresponds to the alert message on your LCD panel and follow the instructions to clear the jammed paper.

Precautions for clearing jammed paper

Be sure to observe the following points when you clear jammed paper:

- Do not forcibly remove jammed paper. Torn paper can be difficult to remove and might cause other paper jams. Pull it gently in order to avoid tearing.
- Remove jammed paper with both hands to avoid tearing it.
- When jammed paper is torn and remains in the printer or when paper is jammed in a place not mentioned in this chapter, contact your dealer.
- Make sure that the paper type that is loaded is the same as the Paper Type setting in the printer driver.



Warning:

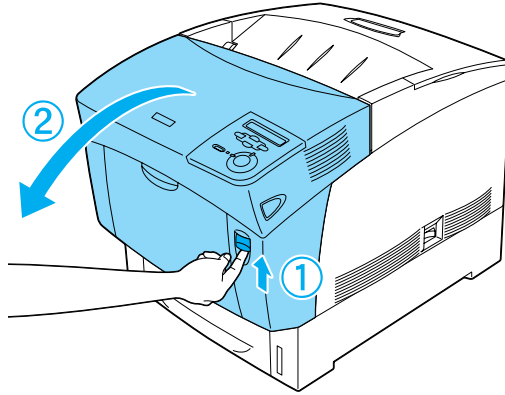
- Be careful not to touch the fuser, which is marked CAUTION HIGH TEMPERATURE, or the surrounding areas. If the printer has been in use, the fuser and the surrounding areas may be very hot.*
- Do not insert your hand deep into the fuser unit as some components are sharp and may cause injury.*

Jam AB (covers A and B)

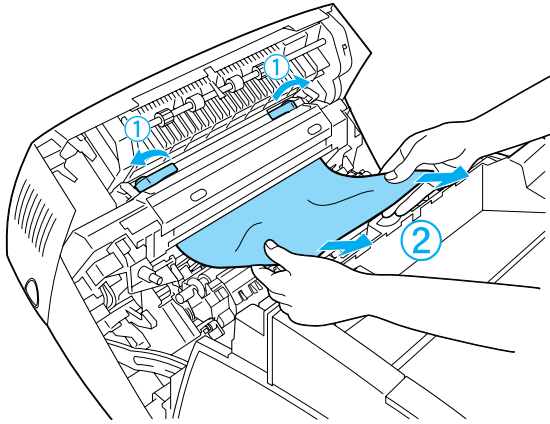
When there is paper jammed around the fuser unit, the LCD panel displays the Jam AB error message.

Follow these steps to clear the jammed paper.

1. Press the latch on cover A and open the cover.



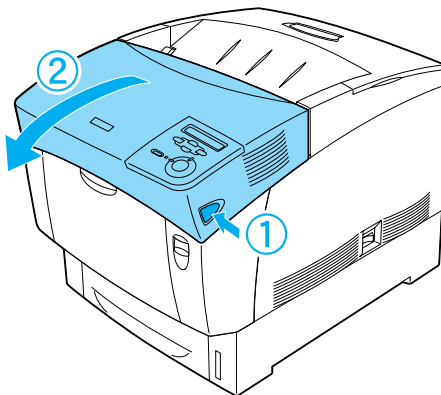
2. Turn the inner green levers of the fuser unit outward, and gently remove any jammed paper with both hands.



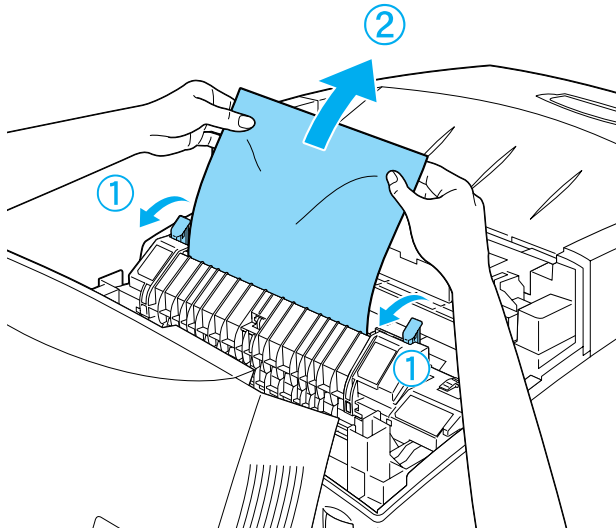
Note:

If paper is torn, be sure to remove all torn pieces.

3. Close cover A.
4. Press the latch on cover B and open the cover.



5. Raise the outer green knobs to open the paper path, and remove the jammed paper.



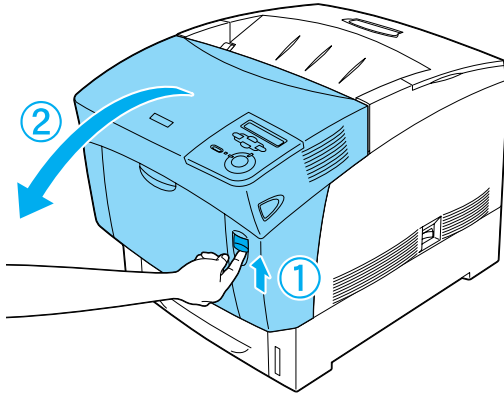
6. Close cover B.

When the paper jam is cleared completely and the covers are closed, printing resumes from the page that jammed.

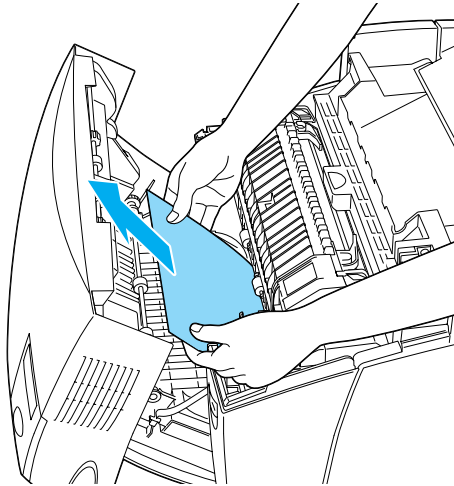
Jam A (cover A)

Follow these steps to clear paper jams at cover A.

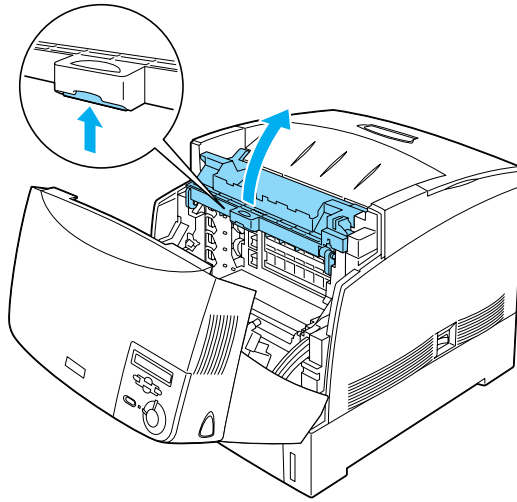
1. Press the latch on cover A and open the cover.



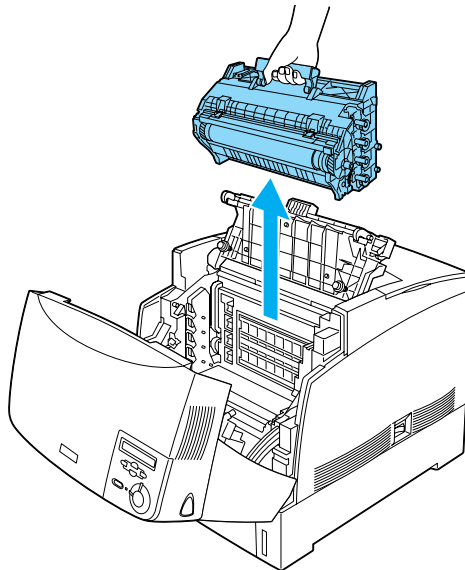
2. Remove any jammed paper gently with both hands.



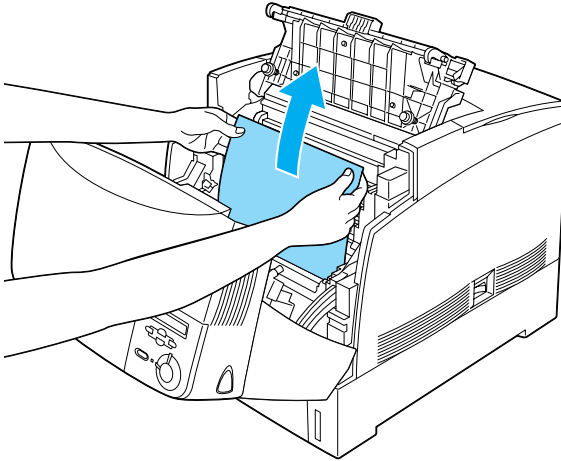
3. Open cover D.



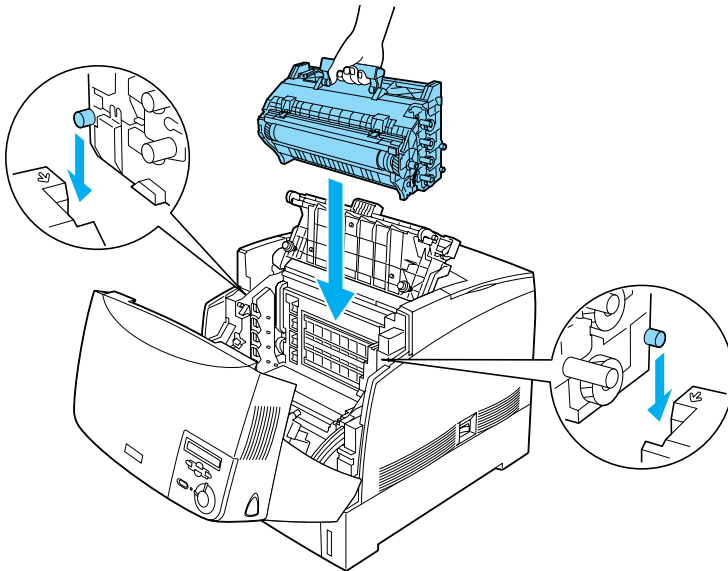
4. Grasp the handle of the photoconductor unit firmly and remove the unit from the printer.



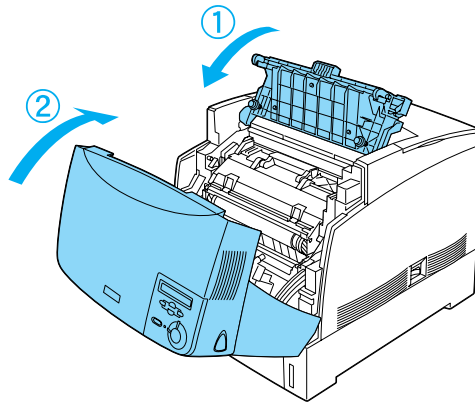
5. Remove any jammed paper.



6. Reinstall the photoconductor unit, making sure the posts on the sides of the unit slide into the slots.



7. Close covers D and A.



When the paper jam is cleared completely and the covers are closed, printing resumes from the page that jammed.

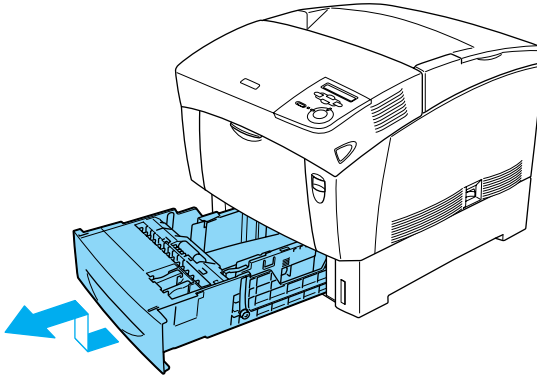
Jam AC (cover A and paper cassettes)

When there is paper jammed at the place where paper feeds into the printer, or in the paper cassettes, the LCD panel displays the Jam AC error message.

Follow these steps to clear the jammed paper.

9

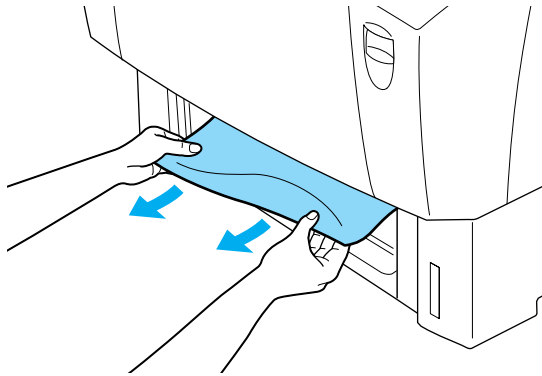
1. Remove the paper cassette from the printer and discard any crumpled paper.



Note:

The illustration shows the standard paper cassette. If the optional Large Capacity Paper Unit is installed, check the unit's paper cassettes in the same way.

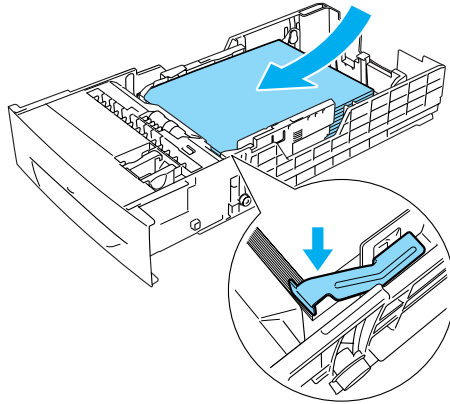
2. Gently remove any paper that has fed part way into the printer.



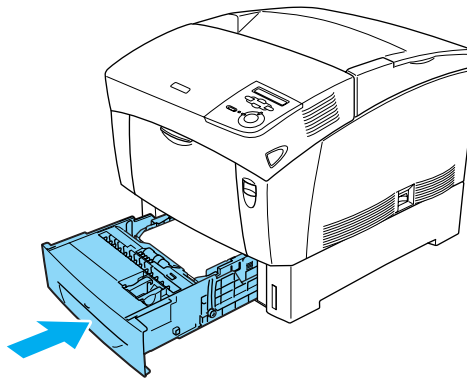
Note:

Confirm that the jammed paper is not still deep inside the printer.

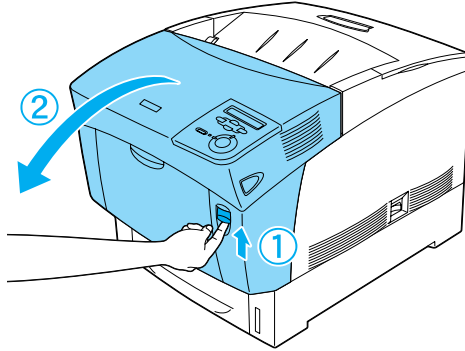
3. Remove the stack of paper from the cassette, tap it on a flat surface to even the edges, then reinsert it into the paper cassette. Be sure the paper is evenly aligned and the top of the stack is below the metal retaining clip and the maximum paper mark.



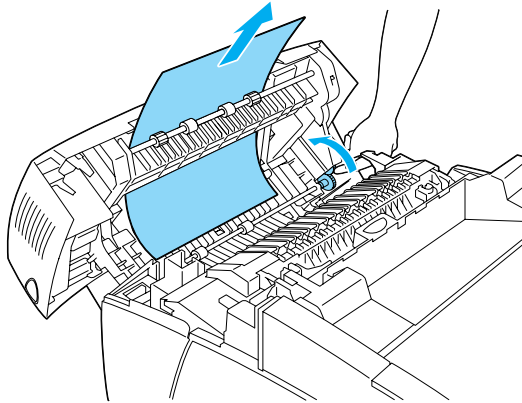
4. Reinsert the paper cassette into the printer.



5. Press the latch on cover A and open the cover.



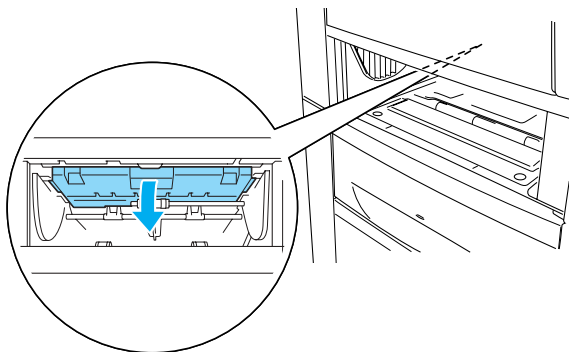
6. Remove any jammed paper gently with both hands. Be careful not to tear the jammed paper.



Note:

- ❑ *Always try to remove jammed paper with both hands to avoid tearing it.*
- ❑ *If paper is torn, be sure to remove all torn pieces.*

- ❑ *When a paper jam occurs repeatedly at the paper cassettes (Jam AC or Jam ABC), jammed or crumpled paper may still be inside the paper cassettes. Remove the paper cassettes, then remove the black unit that is located on the top part of the inside of the cassette slot, and check whether any jammed paper is there.*



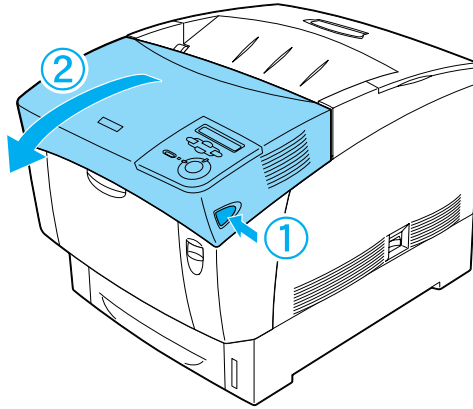
When the paper jam is cleared completely and cover A is closed, printing resumes from the page that jammed.

Jam B (cover B)

When there is paper jammed at the duplex unit, the LCD panel displays the **Jam B** error message.

Follow these steps to clear the jammed paper.

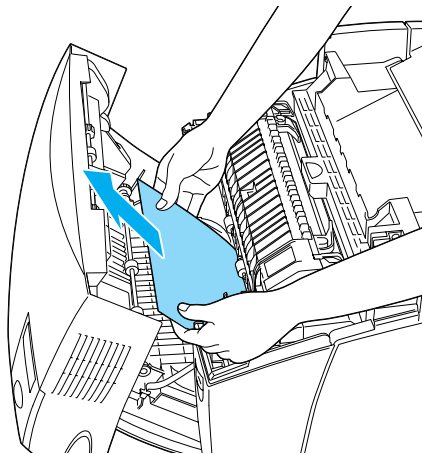
1. Press the latch on cover B and open the cover.



2. Gently remove any jammed or crumpled paper.

Note:

- ❑ Be sure to remove the jammed paper by pulling it upward.
- ❑ If paper is torn, be sure to remove all torn pieces.





Warning:

Do not touch the fuser, which is marked CAUTION HIGH TEMPERATURE, or the surrounding areas. If the printer has been in use, the fuser and the surrounding areas may be very hot.

3. Close cover B.

When the paper jam is cleared completely and cover B is closed, printing resumes from the page that jammed.

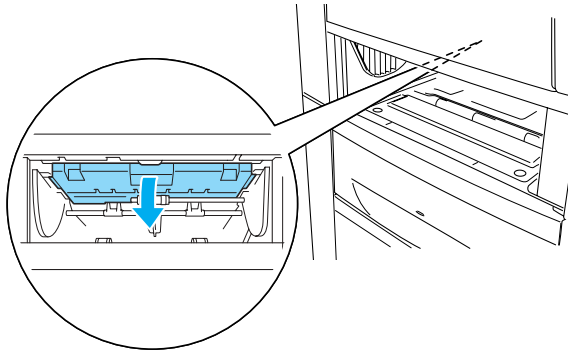
Jam ABC (cover A, paper cassettes and cover B)

When there are paper jams where paper feeds into the printer or in the paper cassettes, and at the duplex unit, the LCD panel displays the Jam ABC error message.

To clear the paper jam, first clear the jammed paper where paper feeds, as described in “Jam AC (cover A and paper cassettes)” on page 297. Then, clear the jammed paper at the duplex unit as described in “Jam B (cover B)” on page 302.

Note:

When a paper jam occurs repeatedly at the paper cassettes (Jam AC or Jam ABC), jammed or crumpled paper may still be inside the paper cassettes. Remove the paper cassettes, then remove the black unit that is located on the top part of the inside of the cassette slot, and check whether any jammed paper is there.



Jam in the MP tray

When there is paper jammed at the MP tray, the LCD panel displays the `Check Transparency` error message.

Remove the paper from the MP tray and remove the jammed paper from the MP tray. Open and close cover A to clear the message on the LCD panel, then reload the paper. The printer resumes printing from the page that jammed.

Note:

- When using transparencies, load them in the MP tray and set the Paper Type setting to Transparency in the printer driver.*
- When the Paper Type setting in the printer driver is set to Transparency, do not load any other type of paper except transparencies.*

Problems and Solutions

You can solve most printer problems with the help of this guide. Look through this section to find the kind of problem you have, then try the recommended solutions in the order they are presented until your problem is solved.

Note:


If the problem persists after you work through the suggestions in this section, contact your dealer for assistance.

Operational problems

The Ready light does not turn on when you turn the printer on

Cause	What to do
The power cord may not be properly plugged into the electrical outlet.	Turn off the printer and check the power cord connections between the printer and the electrical outlet. Then turn the printer back on.
The electrical outlet may be controlled by an outside switch or an automatic timer.	Make sure that the switch is turned on or plug another electrical device into the outlet to check whether the outlet is operating properly.

The printer does not print and the Ready light is off

Cause	What to do
The printer is offline.	Press the  Start/Stop button once to switch the printer to ready status.

The Ready light is on but nothing prints

Cause	What to do
Your computer may not be properly connected to the printer.	Perform the procedure described in “Connecting to the Computer” in the <i>Setup Guide</i> .
The interface cable may not be plugged in securely.	Check both ends of the interface cable between the printer and the computer. If you are using the parallel interface, be sure to secure the connector using the wire retaining clips.
You may not be using the correct interface cable.	If you are using the parallel interface, make sure that the cable is a double-shielded, twisted-pair interface cable no more than six feet in length.
Some error may have occurred.	Check the LCD panel to see if an error message appears.
Your application software is not properly set up for your printer.	Make sure that the printer is selected in your application software.
Your computer system’s memory is too small to handle the volume of data in your document.	Try reducing the image resolution of your document in the application software, or install more memory in your computer if you can.

Printout problems

Misalignment of colors

Cause	What to do
-------	------------

The registration position of each color may have shifted while the printer was being shipped or moved to a new location.

Check the color registration and adjust the alignment if necessary. See “Checking color registration” on page 284 for instructions.

The font selected in the application software won't print

Cause**What to do**

You may use the printer fonts substituted for specified TrueType fonts.

In Windows, click the Print TrueType fonts as bitmap button in the Extended Settings dialog box.

In Macintosh, select the Use PrinterFonts check box in the Basic Settings dialog box.

The selected font is not supported by your printer.

Make sure that you have installed the correct font. See “Available Fonts” on page 362 for more information.

Some or all of the printout is garbled or printed as asterisks

Cause**What to do**

The interface cable may not be plugged in securely.

Make sure that both ends of the interface cable are plugged in securely.

You may not be using the correct interface cable.

If you are using the parallel interface, make sure that the cable is a double-shielded, twisted-pair interface cable no more than six feet in length.

The emulation setting for the port may not be correct.

Specify the emulation mode by using the printer's control panel menus. See “Emulation Menu” on page 184.

If a status sheet does not print correctly, your printer may be damaged. Contact your dealer or a qualified service representative.

The position of the printout is not correct

Cause	What to do
The page length and margins are set incorrectly in your application.	Make sure that you are using the correct page length and margin settings in your application.

Graphics don't print correctly

Cause	What to do
The printer emulation setting in your application may be incorrect.	Make sure that your application is set for the printer emulation you are using. For example, if you are using the LJ4 emulation mode, make sure that your application is set to use a LaserJet 4 printer.
You may need more memory.	Graphics require large amounts of memory. Install more memory to avoid this problem. For details about installing memory modules, see "Memory Modules" on page 232.

Printed surface is rough when duplex printing on coated paper

Cause	What to do
Duplex printing on damp coated paper may produce a rough printed surface.	Use coated paper that is newly unwrapped. Always store coated paper in a dry environment.

Color printing problems

Cannot print in color

Cause	What to do
Black is selected as the Color setting in the printer driver.	Change this setting to Color.
The color setting in the application you are using is not appropriate for color printing.	Make sure that the settings in your application are appropriate for color printing.

The printout color differs when printed from different printers

Cause	What to do
Printer driver default settings and color tables vary by printer model.	Set the Gamma setting to 1.5 in the More Settings dialog box in the printer driver, then print again. If you still do not get the printouts you expect, adjust the color using the slide bar for each color. For details about the More Settings dialog box, see “Customizing print settings” on page 54 for Windows, or see “Customizing print settings” on page 138 for Macintosh.

The color looks different from what you see on the computer screen

Cause	What to do
Printed colors do not exactly match the colors on your monitor, since printers and monitors use different color systems: monitors use RGB (red, green, and blue), while printers typically use CMYK (cyan, magenta, yellow, and black).	Although it is difficult to match colors perfectly, selecting the printer driver's ICM setting (for Windows XP, Me, 98, 95, or 2000) or ColorSync setting (for Macintosh) can improve color matching between different devices. For details, see "Using the predefined settings" on page 51 for Windows, and "Using the predefined settings" on page 136 for Macintosh.
For Macintosh, the System Profile setting is not in use.	To apply ColorSync properly, your input device and the application must support ColorSync, and a System Profile must be used for your monitor.
PhotoEnhance4 may be selected in the printer driver.	The PhotoEnhance 4 feature corrects the contrast and brightness of the original image data, and so may not be suitable for printing vivid images.

Print quality problems

The background is dark or dirty

Cause	What to do
There may be a problem with the photoconductor unit.	Replace the photoconductor unit. See "Photoconductor unit" on page 263.

You may not be using the correct type of paper for your printer.

If the surface of your paper is too rough, printed characters may appear distorted or broken. EPSON special paper, or smooth, high-quality copier paper is recommended for best results. See “Available Paper” on page 18 for information on choosing paper.

Black or white bands appear in the printout

Cause	What to do
--------------	-------------------

There may be a problem with the photoconductor unit.
--

Replace the photoconductor unit. See “Photoconductor unit” on page 263.

White dots appear in the printout where the toner density is high

Cause	What to do
--------------	-------------------

Duplex printing on damp coated or thick paper may produce printouts with white dots where the toner density is high on the back of the paper.

Do not select Thick (Back) as the Paper Type setting in the printer driver. Choose Thick instead.

Do not store coated paper in a humid or damp environment. Be sure to use paper that is newly unwrapped.

Print quality is uneven on the page

Cause	What to do
--------------	-------------------

Your paper may be moist or damp.

Do not store paper in a humid or damp environment.
--

There may be a problem with the photoconductor unit.
--

Replace the photoconductor unit. See “Photoconductor unit” on page 263.

Print quality is uneven on thick or coated paper

Cause	What to do
Your paper may be too dry.	Select Thick (Back) as the Paper Type setting in the printer driver. Do not store paper in an excessively dry environment.

Half-tone images print unevenly

Cause	What to do
Your paper may be moist or damp.	Do not store paper in a humid or damp environment. Be sure to use paper that is newly unwrapped.
There may be no toner left in the toner cartridge.	If the message appears on the LCD panel or in the EPSON Status Monitor 3 window, it indicates that the amount of toner is low. See “Toner cartridges” on page 258 for information on replacing the toner cartridges.
There may be a problem with the photoconductor unit.	Replace the photoconductor unit. See “Photoconductor unit” on page 263.

Toner smudges

Cause	What to do
Your paper may be moist or damp.	Do not store your paper in a humid or damp environment.
You may not be using the correct type of paper for your printer.	EPSON special paper or smooth, high-quality copier paper is recommended for best results. See “Available Paper” on page 18 for information on choosing paper.
There may be a problem with the photoconductor unit.	Replace the photoconductor unit. See “Photoconductor unit” on page 263.

Areas are missing in the printed image

Cause	What to do
Your paper may be moist or damp.	This printer is sensitive to moisture absorbed by the paper. The higher the moisture content in the paper, the lighter the printout. Do not store paper in a humid or damp environment.
You may not be using the correct type of paper for your printer.	If the surface of your paper is too rough, printed characters may appear distorted or broken. EPSON special paper or smooth, high-quality copier paper is recommended for best results. See “Available Paper” on page 18 for information on choosing paper.

Completely blank pages are output

Cause	What to do
The printer may have loaded more than one sheet at a time.	Remove the paper stack and fan it. Tap it on a flat surface to even the edges. Then reload the paper.
There may be no toner left in the toner cartridge.	If the message appears on the LCD panel or in the EPSON Status Monitor 3 window, it indicates that the amount of toner is low. See “Toner cartridges” on page 258 for information on replacing the toner cartridges.
There may be a problem with the photoconductor unit.	Replace the photoconductor unit. See “Photoconductor unit” on page 263.

The problem may be with your application or interface cable.	Print out a status sheet by pressing the Enter button on the control panel three times. If a blank page is ejected, the problem may be with the printer. Turn off the printer and contact your dealer.
--	--

The printed image is light or faint

Cause	What to do
Your paper may be moist or damp.	Do not store your paper in a humid or damp environment.
The Toner Save mode may be on.	Turn off the Toner Save mode using the printer driver or the printer's control panel menus.
There may be a problem with the photoconductor unit.	Replace the photoconductor unit. See "Photoconductor unit" on page 263.

The non-printed side of the page is dirty

Cause	What to do
Toner may have spilled onto the paper feed path.	Clean internal printer components by printing three pages with only one character per page.

Paper handling problems

Paper does not feed from the proper paper source

Cause	What to do
-------	------------

The paper source setting may not be correct.	Make sure that you have selected the correct paper source in your application.
There may be no paper in the cassette or MP tray.	Load paper.
Too many sheets may be loaded in a cassette or MP tray.	Make sure that you have not tried to load too many sheets of paper. For the maximum paper capacity for each paper source, see “Printer” on page 340.
If paper does not feed from the optional Large Capacity Paper Unit, the unit may not be installed properly.	For instructions on installing the unit, see “Installing the Large Capacity Paper Unit” on page 215.


Status and Error Messages

This section contains a list of error messages shown on the LCD panel, giving a brief description of each message and suggestions for correcting the problem. Note that not every message shown on the LCD panel indicates a problem.


Calibrating Printer

The printer automatically calibrates itself when any of its covers are opened and when there is no paper jammed inside. This is not an error message, and will clear itself within one minute. While the printer displays this message, do not open the covers or turn off the printer.



Cancel All Print Job

The printer is canceling all print jobs in the printer memory, including jobs the printer is currently receiving or printing. This message appears when the  Job Cancel button has been pressed down for more than two seconds.

Cancel Print Job

The printer is canceling the current print job. This message appears when the  Job Cancel button has been pressed and released within two seconds.

Can't Print Duplex

The printer has encountered problems during duplex printing. Make sure you are using an appropriate type and size of paper for the duplex unit. The problem could also be a result of incorrect settings for the paper source you are using. Pressing the  Start/Stop button will print the rest of the print job on only one side of the paper. Press the  Job Cancel button to cancel the print job.

Check Transparency

You have loaded media other than transparencies when the Paper Type setting in the printer driver is Transparency, or transparencies are loaded when the Paper Setting in the printer driver is not set to Transparency. Paper is jammed at the MP tray.

Remove the paper from the MP tray and remove the jammed paper from the MP tray. Open and close cover A to clear the message on the LCD panel, then reload the paper. The printer resumes printing from the page that jammed.

Check Paper Size

The paper size setting is different from the size of paper loaded in the printer. Check to see if the correct size of paper is loaded in the specified paper source.

To clear this error, select **Clear Warnings** from the control panel's Reset Menu. For instruction about accessing the control panel menus, see "How to access the control panel menus" on page 171.

Check Paper Type

The media loaded in the printer does not match the paper type setting in the printer driver. Media that matches only the paper size setting will be used for printing.

To clear this error, select **Clear Warnings** from the control panel's Reset Menu. For instruction about accessing the control panel menus, see "How to access the control panel menus" on page 171.

C Toner Cart Out

See "XXXX Toner Cart Out" on page 330.

Clean Sensor

Open cover A and remove the transfer unit temporarily. Wipe the transparent plastic window at the back of the transfer unit with a soft cloth, then reinstall the transfer unit. Close cover A to clear this error.

If the error still remains, replace the transfer unit with a new one.

Collate was disabled

Printing by specifying the number of copies is no longer possible due to a lack of memory (RAM) or free disk space on the optional Hard Disk Drive. If this error occurs, print only one copy at a time.

To clear this error, select **Clear Warnings** from the control panel's Reset Menu. For instruction about accessing the control panel menus, see "How to access the control panel menus" on page 171.

C Toner Low

See "XXXX Toner Low" on page 331.

C Toner Out

See “XXXX Toner Out” on page 331.

Duplex Mem Overflow

There is not enough memory for duplex printing. The printer prints only on the front and ejects the paper. To clear this error, follow the instructions below.

If **Off** is selected as the **Auto Cont** setting on the control panel's Setup Menu, press **Start/Stop** to print on the back of the next sheet, or press the **Job Cancel** button to cancel the print job.

If **On** is selected as the **Auto Cont** setting on the control panel's Setup Menu, printing continues automatically after a certain period of time.

Face Down Full

The output tray is full of printouts, and the printer has stopped printing. Remove the printouts from the output tray, and press the **Start/Stop** button to continue printing. The output tray can hold up to 250 sheets.

Form Data Canceled

Unable to store form overlay data on the printer's optional Hard Disk Drive. Either the drive is full, or the maximum number of form overlay files has been reached. Delete any form overlay files you no longer need, then try storing the new overlay again.

To clear this error, select **Clear Warning** from the control panel's Reset Menu. For instruction about accessing the control panel menus, see “How to access the control panel menus” on page 171.

Form Feed

Hold down the \circ Start/Stop button for more than two seconds when the printer is offline to print the data that remains in the printer.

Format Error ROM A

An unformatted ROM module has been inserted. If the ROM module has been formatted, but is still unreadable, format it again. If the ROM is still unreadable after reformatting, take the module to your dealer for repair or replacement.

To clear this error, either press the \circ Start/Stop button or turn off the printer and remove the ROM module.

Hard Disk Full

The optional Hard Disk Drive is full and you cannot save any data. Delete the unnecessary data from the Hard Disk Drive. To clear this error, select **Clear Warning** from the control panel's Reset Menu. For instruction about accessing the control panel menus, see "How to access the control panel menus" on page 171.

HDD Check

The printer is checking the Hard Disk Drive.

*HDD Format ***%*

The HDD is being formatted. The progress of the format is shown as ***%.

Image Optimum

There is insufficient memory to print the page at the specified print quality. The printer automatically lowers the print quality so that it can continue printing. If the quality of the printout is not acceptable, try simplifying the page by limiting the number of graphics or reducing the number and size of fonts.

To clear this error, select **Clear Warning** from the control panel's **Reset Menu**. For instruction about accessing the control panel menus, see "How to access the control panel menus" on page 171.

Turn the **Image Optimum** setting off on the control panel's **Printing Menu** if you do not want the printer to automatically lower the print quality to continue printing.

You may need to increase the amount of printer memory to be able to print at the desired print quality for your document. For more information on adding memory, see "Memory Modules" on page 232.

Install Fuser

There is no fuser unit installed or the fuser unit is not installed properly. Turn off the printer and install the fuser unit if it is not installed.

If a fuser unit is already installed, turn off the printer, open cover A, then open cover D. Then close cover A and open cover B. Remove the fuser unit, then reinstall it properly. Close covers D and B. The error clears automatically if the fuser unit is properly installed.

If the error is not cleared, the fuser unit is out of order. Replace it with a new fuser unit.

Install LC1

The paper tray of the standard paper cassette is not installed, or not installed properly. Install the paper cassette correctly to clear this error.

Install LC2

The paper trays of the optional Large Capacity Paper Unit are not installed, or not installed properly. Install the paper trays correctly to clear this error.

Install Photoconductor

There is no photoconductor unit installed or the photoconductor unit is not installed properly. Turn off the printer and install the photoconductor unit if it is not installed.

If a photoconductor unit is already installed, turn off the printer, open cover A, then open cover D. Remove the photoconductor unit, then reinstall it properly. Close covers D and A. The error clears automatically if the photoconductor unit is properly installed.

Install TransferUnit

There is no transfer unit installed or the transfer unit is not installed properly. Turn off the printer and install the transfer unit if it is not installed.

If a transfer unit is already installed, turn off the printer, open cover A, and remove the transfer unit. Then reinstall the unit properly and close cover A. The error clears automatically if the transfer unit is properly installed.

Invalid AUX I/F Card

The printer cannot communicate with the installed optional interface card. Turn off the printer, remove the card, then reinstall it.

Invalid HDD

Either the optional Hard Disk Drive is damaged or it cannot be used with this printer. Turn off the printer and remove the Hard Disk Drive.

Invalid IPDS

Turn off the printer and replace the IPDS module.

Invalid PS3

An optional PostScript 3 ROM module that cannot be used on this printer. Turn off the printer and remove the module.

Invalid ROM A

The printer cannot read the installed optional ROM module. Turn off the printer and remove the ROM module.

To clear this error, select **Clear Warning** from the control panel's Reset Menu. For instruction about accessing the control panel menus, see "How to access the control panel menus" on page 171.

Jam XXX

Paper is jammed at the location indicated by XXX.

If a paper jam occurs at two locations simultaneously, both locations are displayed. The following table shows the possible variations of this message.

Location	Description
Jam AB	Paper is jammed at the fuser unit. For instructions on how to remove jammed paper at the fuser unit, see "Jam AB (covers A and B)" on page 291.
Jam A	Paper is jammed at cover A. For instructions on how to remove jammed paper at cover A, see "Jam A (cover A)" on page 293.
Jam AC	Paper is jammed where it feeds into the printer, or at the paper cassettes. For instructions on clearing this type of paper jam, see "Jam AC (cover A and paper cassettes)" on page 297.
Jam B	Paper is jammed inside the duplex unit. For instructions on clearing this type of paper jam, see "Jam B (cover B)" on page 302.
Jam ABC	Paper is jammed where it feeds into the printer or at the paper cassettes, and inside the duplex unit. For instructions on clearing this type of paper jam, see "Jam ABC (cover A, paper cassettes and cover B)" on page 304.

K Toner Cart Out

See “XXXX Toner Cart Out” on page 330.

K Toner Low

See “XXXX Toner Low” on page 331.

K Toner Out

See “XXXX Toner Out” on page 331.

Manual Feed xxx

The manual feed mode is specified for the current print job. Make sure the paper size indicated by xxx is loaded, then press the ○ Start/Stop button.

For details on the manual feed mode, see “Manually feeding paper” on page 26.

Mem Overflow

The printer has insufficient memory to execute the current task. Press the ○ Start/Stop button on the control panel to resume printing. Or press the ⏹ Job Cancel button to cancel the print job. To prevent this problem from happening again, decrease the printing resolution or add more memory to your printer as described in “Memory Modules” on page 232.

Menus Locked

This message appears if you try to change the printer’s settings through the control panel when the buttons are locked. You can unlock them by using the EPSON WinAssist or WebAssist utility. Refer to the *Administrator’s Guide* for information.

M Toner Cart Out

See “XXXX Toner Cart Out” on page 330.


M Toner Low

See “XXXX Toner Low” on page 331.

M Toner Out

See “XXXX Toner Out” on page 331.


Need Memory

The printer has insufficient memory to complete the current print job. Cancel printing by deleting it from the print queue on your computer, or by pressing the  Job Cancel button on the printer.

To clear this error message, select **Clear Warnings** from the control panel's **Reset Menu**. For instruction about accessing the control panel menus, see “How to access the control panel menus” on page 171.

To prevent this problem from happening again, add more memory to your printer as described in “Memory Modules” on page 232.

Offline

The printer is not ready to print. Press the  Start/Stop button.

Optional RAM Error



The read/write error occurs when the printer is checking the optional memory module in the memory slot S1. The access speed of the memory module is too slow or the memory module might be broken.


To clear this error, turn the printer off and remove the optional memory module, then turn the printer on.

Paper Out XXX YYY

There is no paper in the specified paper source (XXX). Load paper of the indicated size (YYY) into the paper source.

Paper Set XXX YYY




The paper loaded in the specified paper source (XXX) does not match the required paper size (YYY). Replace the loaded paper with the correct size paper and press the  Start/Stop button to resume printing. Or press the  Job Cancel button to cancel the print job.

If you press  Start/Stop button without replacing the paper, the printer will print on the loaded paper even though it does not match the required size.

Printer Open

Cover A, cover B, cover D, or some combination of these covers are open. To clear this error, close all covers.

Print Overrun

The required time to process the print data exceeded the print engine speed because the current page is too complex. Press the  Start/Stop button to resume printing. Or press the  Job Cancel button to cancel the print job. If this message appears again, select  as the Page Protect setting in the control panel's Setup Menu.

If you continue to receive this message when printing a particular page, try simplifying the page by limiting the number of graphics or reducing the number and size of fonts.

You can also add more memory to the printer as described in “Memory Modules” on page 232.

PS3 Hard Disk full

The memory allocated for writing PostScript 3 commands on the optional Hard Disk Drive is full.

To clear this error, select **Clear Warnings** from the control panel's Reset Menu. For instruction about accessing the control panel menus, see "How to access the control panel menus" on page 171.

RAM Check

The printer is checking the RAM.

Ready

The printer is ready to receive data and print.

Replace Photoconductor

Printing has stopped to avoid damage to the engine. Turn off the printer, then replace the photoconductor unit with a new one. See "Photoconductor unit" on page 263 for instructions.

The error clears automatically after you replace the unit and close all printer covers. The photoconductor service life counter is reset automatically.

Replace TransferUnit

The transfer unit has reached the end of its service life. Turn off the printer, then replace the transfer unit with a new one. See "Transfer unit" on page 275 for instructions.

The error clears automatically after you replace the unit and close all printer covers. The transfer unit service life counter is reset automatically.

Reserve Job Canceled

The printer cannot store the data of your print job using the Reserve Job function. The maximum number of print jobs stored in the printer's Hard Disk Drive has been reached, or the drive has no more memory available to store a new job. To store a new print job, delete a previously stored job. Also, if you have any Confidential Jobs stored, printing those jobs will make more memory available.

To clear this error, select `Clear Warning` from the control panel's Reset Menu. For instruction about accessing the control panel menus, see "How to access the control panel menus" on page 171.

Reset

The printer's current interface has been reset and the buffer has been cleared. However, other interfaces are still active and retain their settings and data.

Reset All

All printer settings have been reset to the default configuration, or to the last settings that were saved.

Reset to Save

A control panel menu setting was changed while the printer was printing. Press the `○ Start/Stop` button to clear this message. The setting will become effective after printing has finished.

ROM Check

The printer is checking the ROM.

Self Test

The printer is performing a quick internal check.

Service Req xyyy

A controller error or a print engine error has been detected. Turn off the printer. Wait at least five seconds and then turn it back on. If the error message still appears, write down the error number listed on the LCD panel (xyyy) and turn off the printer, unplug the power cord, and contact a qualified service representative.

Standby

The printer is in the standby mode. The printer switches to the online mode automatically when the printing data is sent to the printer.

Unable Clear Error

The printer cannot clear an error message because the error status still remains. Try solving the problem again.

Worn Fuser

This message indicates that the fuser unit has reached the end of its service life. Printing after this message appears is not guaranteed. Turn the printer off, then replace the fuser unit with a new one. See “Fuser unit” on page 270 for instructions.

The error clears automatically after you replace the unit and close all printer covers.

Worn Photoconductor

This message indicates that the photoconductor unit has reached the end of its service life. Printing after this message appears is not guaranteed. Turn the printer off, then replace the photoconductor unit with a new one. See “Photoconductor unit” on page 263 for instructions. The error clears automatically after you replace the unit and close the printer covers.

Worn TransferUnit

This message warns you that the transfer unit is near the end of its service life. You can continue to print until the **Replace TransferUnit** error message appears, but early replacement is recommended to maintain high print quality.

To clear this warning message and continue printing, select **Clear Warnings** from the control panel's **Reset Menu**. For instruction about accessing the control panel menus, see "How to access the control panel menus" on page 171.

Write Error ROM A/Write Error ROM P

This message indicates an internal error in the printer. Reset the printer. If this error persists, consult your dealer.

Wrong Photoconductor

An inappropriate photoconductor unit is installed. Install only the photoconductor unit listed in "Consumable products" on page 14.

See "Photoconductor unit" on page 263 for instructions on replacing the photoconductor unit.

XXXX Toner Cart Out

The indicated toner cartridges are not installed in the printer. (The letters C, M, Y, or K appear in place of XXXX and indicate the colors Cyan, Magenta, Yellow, and Black respectively.)

Install the indicated cartridges. See "Toner cartridges" on page 258.

XXXX Toner Low

The indicated toner cartridges have less than 10% of toner remaining. (The letters C, M, Y, or K appear in place of XXXX and indicate the colors Cyan, Magenta, Yellow, and Black respectively.)

You can continue to print until the XXXX Toner Out error message appears. Waiting until this message appears before replacing the toner is recommended as toner may spill during replacement if toner remains in the cartridge. When printouts become faint, see “Toner cartridges” on page 258 for instructions.

Note:

- ❑ *Do not replace the toner cartridge when the XXXX Toner Low message appears. Toner remaining in the toner cartridge may spill out if you remove the toner cartridge to replace it. Replace the toner cartridge when the XXXX Toner Out message appears.*
- ❑ *If you replace the toner cartridge before the XXXX Toner Out message appears, it is not detected as a new toner cartridge and the XXXX Toner Low warning may not be cleared.*

To clear this error, select Clear Warnings from the control panel's Reset Menu. For instruction about accessing the control panel menus, see “How to access the control panel menus” on page 171.

XXXX Toner Out

The indicated toner cartridges are out of toner and need to be replaced. (The letters C, M, Y, or K appear in place of XXXX and indicate the colors Cyan, Magenta, Yellow, and Black respectively.)

See “Toner cartridges” on page 258 for instructions.

Y Toner Cart Out

See “XXXX Toner Cart Out” on page 330.


Y Toner Low

See “XXXX Toner Low” on page 331.

Y Toner Out


See “XXXX Toner Out” on page 331.

Canceling Printing



You can cancel printing from your computer by using the printer driver, or from the printer by using the  Job Cancel button or the control panel’s Reset Menu.

Using the printer driver

To cancel a print job before it is sent from your computer, see “Canceling Printing” on page 102 for Windows, or “Canceling Printing” on page 165 for Macintosh.

In many cases you will find that the job has already been sent and needs to be canceled at the printer. The  Job Cancel button is the best way to do this, although the Reset Menu can also be used. See the descriptions below.

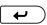

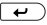

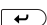
Using the Job Cancel button

The  Job Cancel button on your printer is the quickest and easiest way to cancel printing. Pressing this button cancels the currently printing job, and any print data that was being saved to the Hard Disk Drive. Pressing  Job Cancel button for more than two seconds deletes all jobs from the printer memory, including jobs the printer is currently receiving, saving to the Hard Disk Drive, or printing.

Using the Reset Menu

Selecting **Reset** from the control panel's **Reset Menu** stops printing, clears the print job being received from the active interface, and clears errors that may have occurred at the interface.

Follow these steps.

1. Press the  Enter button to access the control panel menus.
2. Press the  Down button several times until **Reset Menu** appears on the LCD panel, then press the  Enter button.
3. Press the  Down button one time to display **Reset**.
4. Press the  Enter button. Printing is canceled the printer is ready to receive a new print job.

Technical Specifications

Available Paper 336
 Available paper types 336
 Specifications..... 337
 Printable area 340

Printer 340
 General..... 340
 Environmental 343
 Mechanical..... 343
 Electrical..... 343
 Standards and approvals..... 344

Interfaces..... 346
 Parallel interface..... 346
 USB interface..... 347
 Ethernet interface..... 347

Options and Consumables..... 347
 Large Capacity Paper Unit 347
 Memory modules 348
 Toner cartridges 349
 Photoconductor unit 349
 Transfer unit 350
 Fuser unit 120/220 350



Available Paper

Since the quality of any particular brand or type of paper may be changed by the manufacturer at any time, EPSON cannot guarantee the quality of any type of paper. Always test samples of paper stock before purchasing large quantities or printing large jobs.

Available paper types

Paper type	Description
Plain paper	General copier paper (Recycled paper is acceptable*)
Envelopes	No paste and no tape No plastic window (unless specifically designed for laser printers)
Labels	The backing sheet should be covered completely, with no gaps between each label
Thick paper	Weight: 106** to 159 g/m ² (28.2 to 42.3 lb)
Extra thick paper	Weight: 160** to 216 g/m ² (42.5 to 57.4 lb)
Laser printer paper	EPSON Color Laser Paper
Transparencies	EPSON Color Laser Transparencies
Coated paper	EPSON Color Laser Coated Paper
Colored paper	Non-coated
Paper with letterhead	Paper and ink of letterheads must be compatible with laser printers

* Use recycled paper only under normal temperature and humidity conditions. Poor quality paper may reduce print quality, cause paper jams and other problems.

** In general, thick and extra thick paper weighs between 106 g/m² and 220 g/m². However, it is described as weighing from 106 to 216 g/m² in this guide.

Specifications

Plain paper

Weight:	60 to 105 g/m ² , 16 to 28 lb
Size:	A4 (210 × 297 mm) A5 (148 × 210 mm) B5 (182 × 257 mm) Letter (216 × 279 mm, 8.5 × 11 in.) Legal (216 × 356 mm, 8.5 × 14 in.) Half-Letter (140 mm × 216 mm, 5.5 × 8.5 in.) Government Letter (203 × 267 mm, 8.0 × 10.5 in.) Government Legal (216 × 330 mm, 8.5 × 13 in.) Executive (184 × 267 mm, 7.25 × 10.5 in.) F4 (210 × 330 mm) Custom (88.9 × 139.7 mm to 215.9 × 355.6 mm, 3.5 × 5.5 in. to 8.5 × 14 in.)
Paper Sources:	MP tray for all sizes Standard lower cassette for A4, A5, B5, Letter, Legal, Government Legal, Executive Optional Large Capacity Paper Unit for A4, A5, B5, Letter, Legal, Government Legal, Executive

A

Envelopes

Size:	Monarch (3 7/8 × 7 1/2 in.) Commercial 10 (4 1/8 × 9 1/2 in.) DL (110 × 220 mm) C5 (162 × 1229 mm) C6 (114 × 163 mm) International B5 (176 × 250 mm, 7 × 9.8 in.)
Paper Source:	MP tray only

Labels

Size:	A4 (210 × 297 mm) Letter (216 × 279 mm, 8.5 × 11 in.)
Paper Source:	MP tray only

Thick paper

Weight:	106 to 159 g/m ² , 28.2 to 42.3 lb
Size:	88.9 × 139.7 mm to 215.9 × 355.6 mm (35 × 55 in. to 85 × 140 in.)
Paper Source:	MP tray only

Extra thick paper

Weight:	160 to 216 g/m ² , 42.5 to 57.4 lb
Size:	88.9 × 139.7 mm to 215.9 × 355.6 mm (35 × 55 in. to 85 × 140 in.)
Paper Source:	MP tray only

EPSON Color Laser Paper

Size:	A4 (210 × 297 mm) Letter (216 mm × 279 mm, 8.5 × 11 in.)
Paper Sources:	MP tray, standard lower cassette, optional Large Capacity Paper Unit

EPSON Color Laser Transparencies

Size:	A4 (210 × 297 mm) Letter (216 mm × 279 mm, 8.5 × 11 in.)
Paper Source:	MP tray only

EPSON Color Laser Coated Paper

Size:	A4 (210 × 297 mm)
Paper Sources:	MP tray only (when Coated is selected as the Paper Type setting in the printer driver) MP tray, standard lower cassette, and optional Large Capacity Paper Unit (when Plain is selected as the Paper Type setting in the printer driver)

Printable area

5-mm minimum margin on all sides

Note:

The printable area varies, depending on the emulation mode in use.

Printer

General

Printing method:	Laser beam scanning and dry electrophotographic process
Resolution:	1200 × 1200 dpi,* 600 × 600 dpi, 300 × 300 dpi

* 1200-dpi printing is available only when the emulation mode is ESC/Page, ESC/Page Color or PS3.

Continuous printing
speed
(with A4/Letter):

- at 300/600 dpi: 16 ppm from all paper sources
10 ppm for double-sided printing from all paper sources
- at 1200 dpi: 8 ppm from all paper sources
5 ppm for double-sided printing from all paper sources

First print (with
A4/Letter):

- Less than 15 seconds from the MP tray
- Less than 15.5 seconds from the standard lower cassette

Warm-up time:

- About 30 seconds at normal temperature

Paper feed:

- Automatic or manual feed

Paper feed alignment:

- Center alignment for all sizes

Input paper supply:

- MP tray: Up to 100 sheets of plain paper, EPSON Color Laser Paper, and EPSON Color Laser Coated Paper
Up to a 10 mm thick stack of envelopes, labels, thick paper, and transparencies

Standard lower
cassette:

- Up to 500 sheets of plain paper, EPSON Color Laser Paper, and EPSON Color Laser Coated Paper*

* This media can be fed from this paper source only when Plain is selected as the Paper Type setting in the printer driver

Optional Large
Capacity Paper Unit:

- Up to 1,000 sheets of plain paper, EPSON Color Laser Paper, and EPSON Color Laser Coated Paper* for two cassettes, each holding up to 500 sheets

A

* This media can be fed from this paper source only when Plain is selected as the Paper Type setting in the printer driver

Paper output capacity: Up to 250 sheets (larger than B5/EXE)

Internal emulation: HP listed LaserJet 4 emulation (LJ4 mode)

HP-GL/2 emulation (GL2 mode)

**ESC/P2 24-pin printer emulation
(ESCP2 mode)**

ESC/P 9-pin printer emulation (FX mode)

IBM Proprinter emulation (I239X mode)

Resident fonts: 84 scalable fonts, and 7 bitmap fonts

**RAM: 64 MB, expandable up to 1024 MB
(To increase printer memory to more than 576 MB, you have to remove the original 64 MB DIMM and install two optional DIMMs.)**

Environmental

Temperature: (0% humidity)	Operation:	10 to 32°C (50 to 89.6°F)
	Storage:	0 to 35°C (32 to 95°F)
Humidity:	Operation:	15 to 85% RH
	Storage:	15 to 85% RH
Altitude:		3,100 meters (10,168 feet) maximum

Mechanical

Dimensions and weight:	Height:	44.45 cm (17.5 in.)
	Width:	43.94 cm (17.3 in.)*
		*When extending all trays, 72.9 cm (28.7 in.)
	Depth:	63.8 cm (25.1 in.)
	Weight:	Approx. 34.5 kg (76 lb) with consumables installed
Durability:		5 years or 300,000 pages, whichever comes first (under the conditions of A4 size paper, 4 pages continuous printing, 5% print ratio with color: black and white = 1:1)

Electrical

	110 V to 120 V Model (Model KAA-1)	220 to 240 V Model (Model KAB-1)
Voltage	110 V-120 V ± 10%	220 V-240 V ± 10%
Rated frequency	50 Hz / 60 Hz ± 3 Hz	50 Hz / 60 Hz ± 3 Hz
Rated current	Less than 8 A	Less than 4 A



			110 V to 120 V Model (Model KAA-1)	220 to 240 V Model (Model KAB-1)
Power consumption	During printing*	Maximum	850 W	850 W
		Average	450 Wh	450 Wh
	During standby mode Average		850 Wh	850 Wh
	In Energy Save mode**		Less than 45 Wh	Less than 45 Wh

* Includes optional cassette unit.

** Completely suspended. Complies with ENERGY STAR® program.

Standards and approvals

U.S. model:

Safety

**UL 1950
CSA C22.2 No. 950**

EMC

**FCC Part 15 Subpart B Class B
CSA C108.8 Class B**

European model:

**Low Voltage Directive 73/23/EEC EN 60950
EMC Directive 89/336/EEC EN 55022 Class B
EN 55024
EN 61000-3-2
EN 61000-3-3**

Australian model:

EMC

AS/NZS 3548 Class B

Laser safety

This printer is certified as a Class 1 laser product under the U.S. Department of Health and Human Services (DHHS) Radiation Performance Standard according to the Radiation Control for Health and Safety Act of 1968. This means that the printer does not produce hazardous laser radiation.

Since radiation emitted by the laser is completely confined within protective housings and external covers, the laser beam cannot escape from the machine during any phase of user operation.

CDRH regulations

The Center for Devices and Radiological Health (CDRH) of the U.S. Food and Drug Administration implemented regulations for laser products on August 2, 1976. Compliance is mandatory for products marketed in the United States. The label shown below indicates compliance with the CDRH regulations and must be attached to laser products marketed in the United States.

This laser product conforms to the applicable
requirement of 21 CFR
Chapter I, subchapter J.

SEIKO EPSON CORP.
Hirooka Office
80 Hirooka, Shiojiri-shi, Nagano-ken,
Japan

A

Interfaces

Parallel interface

Use only IEEE 1284-I compliant parallel connector.

Using the ECP mode in Windows Me, 98, and 95

To use the ECP mode with a parallel (IEEE 1284 level I compliant) interface connector, your computer must support the ECP mode.

Note:

The ECP mode is not available for Windows NT 4.0.

Follow these steps to use the ECP mode:

1. Make the ECP mode settings in the BIOS setting program that comes with your computer (for details on the settings and how to use the program, consult your computer's documentation).
2. Click Start, point to Settings, and then click Control Panel.
3. Right-click the System icon, and click Open in the menu that appears.
4. Click the Device Manager tab.
5. Select the ECP Printer Port under Ports [COM & LPT], then click Properties.
6. Click the Resources tab.
7. Make the appropriate settings in the Resource settings menu. The settings depend on your computer system. For details, consult your computer's documentation.

8. Click OK to save the settings.

USB interface

USB 1.1 compliant.

Note:

Only computers equipped with a USB connector and running Mac OS 8.1 (or later) or Windows XP, Me, 98, or 2000 support the USB interface.

Ethernet interface

You can use an IEEE 802.3 100BASE-TX/10 BASE-T straight-through shielded, twisted-pair interface cable with an RJ45 connector.

Options and Consumables

Large Capacity Paper Unit

Product number:	C12C813861
Paper size:	A4, A5, B5, Letter, Legal (LGL), Government Legal (GLG), and Executive
Paper weight:	60 to 105 g/m ² (16 to 28 lb)
Paper feed:	Two lower cassettes mounted Automatic feed delivery system Cassette capacity up to 500 sheets (for each of two cassettes)

A

Paper types: Plain paper, EPSON Color Laser Paper, and EPSON Color Laser Coated Paper*

* This media can be fed from this paper source only when Plain is selected as the Paper Type setting in the printer driver

Power supply: DC 5V and 24V supplied by the printer

Dimensions and weight:

Height: 352 mm (13.9 in.)

Width: 439 mm (17.2 in.)

Depth: 563 mm (22.2 in.)

Weight: 18.5 kg (8.4 lb) including all cassettes

Memory modules

DRAM type: Synchronous Dynamic RAM Double In-line memory module (SDRAM DIMM)

Memory size: 32 MB, 64 MB, 128 MB, 256 MB, or 512 MB

CAS Latency CL = 2

Type: 168-pin type, 64 bit, 3.3 V, with SPD*
PC 100 compliant

Dimensions: Within 134 × 36 mm with a thickness of 10 mm
A height of less than 40 mm

* SPD stands for Serial Presence Detect, a chip residing on the memory module that contains information about the size, speed, and other specifications of the memory as well as manufacturer information that can be retrieved by the motherboard.

Toner cartridges

Product number:	Yellow:	S050088
	Magenta:	S050089
	Cyan:	S050090
	Black:	S050091
Storage temperature:	0 to 35°C (32 to 95°F)	
Storage humidity:	15 to 80% RH	
Life:	Black:	Up to 8,500 images
(under the conditions of A4 size paper, continuous printing, and 5% print ratio)	Yellow, Magenta, Cyan:	Up to 6,000 images

The actual number of pages you can print with toner cartridges varies depending on the type of printing.

Photoconductor unit

Product number:	S051081
Storage temperature:	0 to 35°C (32 to 95°F)
Storage humidity:	15 to 80% RH
Life: (when using A4 or Letter size paper)	30,000 pages of continuous printing
	Service life may be shortened by repeatedly warming up the printer, or by frequently printing on envelopes, labels, thick paper, or transparencies.

The actual number of pages you can print with a photoconductor unit varies depending on the type of printing.



Transfer unit

Product number:	S053006
Storage temperature:	0 to 35°C (32 to 95°F)
Storage humidity:	15 to 80% RH
Life: (when using A4 or Letter size paper)	25,000 pages of continuous printing Service life may be shortened by repeatedly warming up the printer, or by frequently printing on envelopes, labels, thick paper, transparencies, or paper that is smaller than the print data's page size.

The actual number of pages you can print before replacing the transfer unit varies depending on the type of printing.

Fuser unit 120/220

Product number:	S053008/S053007 Product number varies by location.
Storage temperature:	0 to 35°C (32 to 95°F)
Storage humidity:	15 to 80% RH
Life: (when using A4 or Letter size paper, and single-side printing)	100,000 pages of continuous printing Service life may be shortened by repeatedly warming up the printer, or by frequently printing on envelopes, labels, thick paper, or transparencies.

The actual number of pages you can print before replacing the fuser unit varies depending on the type of printing.

Appendix B

Symbol Sets

Introduction to Symbol Sets	352
In the LJ4 Emulation Mode	353
International character sets for ISO	356
In the ESC/P2 or FX Modes	357
International character sets	358
Characters available with the ESC (^ command	358
In the I239X Emulation Mode	359
In the EPSON GL/2 Mode	359

Introduction to Symbol Sets

Your printer can access a variety of symbol sets. Many of these symbol sets differ only in the international characters specific to each language.

Note:

Since most software handles fonts and symbols automatically, you would probably never need to adjust the printer's settings. However, if you are writing your own printer control programs, or if you are using older software that cannot control fonts, refer to the following sections for symbol set details.

When you are considering which font to use, you should also consider which symbol set to combine with the font. Available symbol sets vary depending on which emulation mode you use and which font you choose.

In the LJ4 Emulation Mode

The following symbol sets are available in LJ4 emulation mode.

Symbol set name: **76 typefaces + Line Printer are available for the following symbol sets:**

IBM-US (10U),
Roman-8 (8U)* (includes another 19 sets),
Roman-9 (4U), ECM94-1 (0N),
8859-2 ISO (2N), 8859-9 ISO (5N),
8859-10 ISO (6N), 8859-15 ISO (9N),
IBM-DN (11U), PcMultilingual (12U),
PcEur858 (13U), Legal (1U)

76 typefaces are available for the following symbol sets:

PcBlt775 (26U), PcE.Europe (17U), PcTk437 (9T), Pc1004 (9J),
WiAnsi (19U), WiE.Europe (9E),
WiTurkish (5T), WiBALT (19L),
DeskTop (7J), PsText (10J),
VeInternational (13J), VeUS (14J),
MsPublishing (6J), Math-8 (8M),
PsMath (5M), VeMath (6M),
PiFont (15U), Windows (9U),
McText (12J)

Line Printer is available for:

Roman Extension (0E)

Symbol Set SWA and Symbol Set SWM are available for:

Symbol (19M)

More WingBats SWM is available for:

Wingdings (579L)

B

OCR A is available for:

OCR A (00)

OCR B is available for:

OCR B (10)

Two types of Code 39 are available for:

Code 39 (0Y)

Two types of EAN/UPC are available for:

EAN/UPC (8Y)

- * The other 19 sets are the following: ANSI ASCII, Norweg1, French, HP German, Italian, JIS ASCII, Swedis 2, Norweg 2, UK, French 2, German, HP Spanish, Chinese, Spanish, IRV, Swedish, Portuguese, IBM Portuguese, and IBM Spanish. These are partial variations of the Roman-8 set.

The 76 typefaces refer to those listed below:

Courier SWC	Swiss 721 SWA
Courier SWC Bold	Swiss 721 SWA Bold
Courier SWC Italic	Swiss 721 SWA Italic
Courier SWC Bold Italic	Swiss 721 SWA Bold Italic
Dutch 801 SWC	Swiss 721 Narrow SWA
Dutch 801 SWC Bold	Swiss 721 Narrow SWA Bold
Dutch 801 SWC Italic	Swiss 721 Narrow SWA Italic
Dutch 801 SWC Bold Italic	Swiss 721 Narrow SWA Bold Italic
Zapf Humanist 601 SWC	Zapf Calligraphic 801 SWA
Zapf Humanist 601 SWC Bold	Zapf Calligraphic 801 SWA Bold
Zapf Humanist 601 SWC Italic	Zapf Calligraphic 801 SWA Italic
Zapf Humanist 601 SWC Bold Italic	Zapf Calligraphic 801 SWA Bold Italic
Ribbon 131 SWC	ITC Avant Garde SWA
Clarendon Condensed SWC	ITC Avant Garde SWA Bold
Swiss 742 SWC	ITC Avant Garde SWA Italic
Swiss 742 SWC Bold	ITC Avant Garde SWA Bold Italic
Swiss 742 SWC Italic	ITC Bookman SWA
Swiss 742 SWC Bold Italic	ITC Bookman SWA Bold
Swiss 742 Condensed SWC	ITC Bookman SWA Italic
Swiss 742 Condensed SWC Bold	ITC Bookman SWA Bold Italic
Swiss 742 Condensed SWC Italic	Century Schoolbook SWA
Swiss 742 Condensed SWC Bold Italic	Century Schoolbook SWA Bold
Incised 901 SWC	Century Schoolbook SWA Italic
Incised 901 SWC Bold	Century Schoolbook SWA Bold Italic
Incised 901 SWC Italic	Dutch 801 SWA
Original Garamond SWC	Dutch 801 SWA Bold
Original Garamond SWC Bold	Dutch 801 SWA Italic
Original Garamond SWC Italic	Dutch 801 SWA Bold Italic
Original Garamond SWC Bold Italic	ITC Zapf Chancery SWA Italic
Audrey Two SWC	Letter Gothic SWC
Flareserif 821 SWC	Letter Gothic SWC Bold
Flareserif 821 SWC Extra Bold	Letter Gothic SWC Italic
Swiss 721 SWM	Courier SWA
Swiss 721 SWM Bold	Courier SWA Bold
Swiss 721 SWM Italic	Courier SWA Italic
Swiss 721 SWM Bold Italic	Courier SWA Bold Italic
Dutch 801 SWM	
Dutch 801 SWM Bold	
Dutch 801 SWM Italic	
Dutch 801 SWM Bold Italic	

International character sets for ISO

The following are the available international character sets for ISO.

Character sets: ANSI ASCII (0U),
 Norweg 1 (0D), French (0F),
 HP German (0G), Italian (0I),
 JIS ASCII (0K), Swedis 2 (0S),
 Norweg 2 (1D), UK (1E),
 French 2 (1F), German (1G),
 HP Spanish (1S), Chinese (2K),
 Spanish (2S), IRV (2U),
 Swedish (3S), Portuguese (4S),
 IBM Portuguese (5S),
 IBM Spanish (6S)

In the ESC/P2 or FX Modes

	Pc437 (U.S./Standard Europe)	Pc850(Multilingual), Pc860(Portuguese), Pc863(Canadian-French), Pc865(Nordic), Roman-8, 8859-15 ISO	Pc857(Turkish), Pc861(Icelandic), Pc852(East Europe), BpBRASCII, Abicomp, ISOLatin1	Pc858 (13U)	OCR A
Courier SWC	available	available	available	available	not available
EPSON Prestige	available	available	not available	available	not available
EPSON Roman	available	available	not available	available	not available
EPSON Sans serif	available	available	not available	available	not available
Swiss 721 SWM*	available	available	available	available	not available
Letter Gothic SWC	available	available	available	available	not available
Dutch 801 SWM*	available	available	available	available	not available
EPSON Script	available	available	not available	available	not available
OCR A	not available	not available	not available	not available	available
OCR B	available	not available	not available	available	not available

* Available only in ESC/P2 mode.

Note:

- Swiss 721 SWM is a type face compatible with RomanT.*
- Letter Gothic SWC is a type face compatible with OratorS.*
- Dutch 801 SWM is a type face compatible with SansH.*

B

International character sets

You can select one of the following international character sets using the Remote Control Panel utility or the ESC R command:

Character sets: USA, France, Germany, UK,
 Japan, Denmark, Denmark2,
 Sweden, Italy, Spain1, Spain2,
 Norway, Latin America,
 Korea*, Legal*

* Available only in ESC/P2 mode.

Characters available with the ESC (^ command

To print the characters in the table below, use the ESC (^ command.

CODE	0	1	7
0			▶
1	☺		◀
2	☹	‡	
3	♥	!!	
4	♦	¶	
5	♣	§	
6	♠	—	
7	·	±	
8	■	↑	
9	○	↓	
A	◻	→	
B	♂	←	
C	♀	↵	
D	♪	↔	
E	♫	▲	
F	♬	▼	△

In the I239X Emulation Mode

The available symbol sets in the I239X mode are Pc437, Pc850, Pc858, Pc860, Pc863 and Pc865. See “In the ESC/P2 or FX Modes” on page 357.

The available fonts are EPSON Sans Serif, Courier SWC, EPSON Prestige, EPSON Gothic, EPSON Presentor, EPSON Orator, and EPSON Script.

In the EPSON GL/2 Mode

The available symbol sets in the EPSON GL/2 mode are the same as those in LaserJet4 emulation mode. See “In the LJ4 Emulation Mode” on page 353.

Working with Fonts

Available Fonts	362
LJ4/GL2 mode	362
ESC/P2 and FX modes	364
I239X mode	365
Printing font samples.....	365
Adding More Fonts	366
Selecting Fonts	366
Downloading Fonts	366
EPSON Font Manager (Windows Only)	367
Installing EPSON Font Manager	367
EPSON BarCode Fonts (Windows Only).....	368
System requirements for using EPSON BarCode Fonts...	370
Installing EPSON BarCode Fonts.....	371
Printing with EPSON BarCode Fonts	372
EPSON BarCode Font specifications.....	376

Available Fonts

The following table lists the fonts that are installed in your printer. The names of all the fonts appear in your application software's font list if you are using the driver provided with the printer. If you are using a different driver, all of these fonts may not be available.

The fonts provided with the printer are shown below, according to the emulation mode.

LJ4/GL2 mode

Font Name	Family	HP Equivalent
Courier SWC	Medium, Bold, Italic, Bold Italic	Courier
Dutch 801 SWC	Medium, Bold, Italic, Bold Italic	CG Times
Zapf Humanist 601 SWC	Medium, Bold, Italic, Bold Italic	CG Omega
Ribbon 131 SWC	-	Coronet
Clarendon Condensed SWC	-	Clarendon Condensed
Swiss 742 SWC	Medium, Bold, Italic, Bold Italic	Univers
Swiss 742 Condensed SWC	Medium, Bold, Italic, Bold Italic	Univers Condensed
Incised 901 SWC	Medium, Bold, Italic	Antique Olive
Original Garamond SWC	Medium, Bold, Italic, Bold Italic	Garamond
Audrey Two SWC	-	Marigold
Flaereserif 821 SWC	Medium, Extra Bold	Albertus
Swiss 721 SWM	Medium, Bold, Italic, Bold Italic	Arial

Font Name	Family	HP Equivalent
Dutch 801 SWM	Medium, Bold, Italic, Bold Italic	Times New
Swiss 721 SWA	Medium, Bold, Italic, Bold Italic	Helvetica
Swiss 721 Narrow SWA	Medium, Bold, Italic, Bold Italic	Helvetica Narrow
Zapf Calligraphic 801 SWA	Medium, Bold, Italic, Bold Italic	Palatino Roman
ITC Avant Garde SWA	Medium, Bold, Italic, Bold Italic	ITC Avant Garde Gothic
ITC Bookman SWA	Medium, Bold, Italic, Bold Italic	ITC Bookman
Century Schoolbook SWA	Medium, Bold, Italic, Bold Italic	New Century Schoolbook
Dutch 801 SWA	Medium, Bold, Italic, Bold Italic	Times
ITC Zapf Chancery SWA Italic	-	ITC Zapf Chancery Medium Italic
Symbol Set SWM	-	Symbol
Symbol Set SWA	-	SymbolPS
More WingBats SWM	-	Wingdings
ITC Zapf Dingbats SWA	-	ITC Zapf Dingbats
Letter Gothic SWC	Medium, Bold, Italic	Letter Gothic
Courier SWA	Medium, Bold, Italic, Bold Italic	CourierPS
Line Printer	-	Line Printer
OCR A	-	-
OCR B	-	-
Code39	9.37 pitch, 4.68 pitch	-
EAN/UPC	Bold, Medium	-

When selecting fonts in your application software, choose the font name listed in the HP Equivalent column.

Note:

Depending on the print density, or on the quality or color of the paper, OCR A, OCR B, Code39, and EAN/UPC fonts may not be readable. Print a sample and make sure the fonts can be read before printing large quantities.

ESC/P2 and FX modes

Font Name	Family
Courier SWC	Medium, Bold
EPSON Prestige	-
EPSON Roman	-
EPSON Sans serif	-
Swiss 721 SWM*	Medium, Bold
Letter Gothic SWC	Medium, Bold
Dutch 801 SWM*	Medium, Bold
EPSON Script	-
OCR A	-
OCR B	-

* Available only in ESC/P2 mode.

Note:

Depending on the print density, or on the quality or color of the paper, OCR A and OCR B fonts may not be readable. Print a sample and make sure the fonts can be read before printing large quantities.

I239X mode

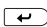

Font Name	Family
Courier SWC	Medium, Bold
EPSON Prestige	-
EPSON Gothic	-
EPSON Orator	-
EPSON Script	-
EPSON Presentor	-
EPSON Sans serif	-
OCR B	-

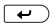
Note:

Depending on the print density, or on the quality or color of the paper, OCR B font may not be readable. Print a sample and make sure the font can be read before printing large quantities.

Printing font samples

You can print samples of the fonts available in each mode by using the control panel's Information Menu. Follow these steps to print font samples.

1. Make sure that paper is loaded.
2. Make sure the LCD panel displays **Ready** or **Standby**, then press the  Enter button.
3. Press the  Down button to select the font sample for the appropriate mode.

4. Press the  Enter button to print the selected font sample sheet.

Adding More Fonts

You can add a wide variety of fonts to your computer. Most font packages include an installer for this purpose.

See your computer documentation for instructions on installing fonts.

Selecting Fonts

Whenever possible select fonts in your application. See your software documentation for instructions.

If you are sending unformatted text to the printer directly from DOS or if you are using a simple software package that does not include font selection, you can select fonts using the printer's control panel menus when in the LJ4, ESC/P2, FX, or I239X emulation mode.

Downloading Fonts

Fonts that reside on your computer's hard disk can be downloaded, or transferred, to the printer so they can be printed. Downloaded fonts, also called soft fonts, remain in printer memory until you turn off the printer or otherwise reset it. If you plan on downloading many fonts, make sure your printer has sufficient memory.

Most font packages make it easy to manage fonts by providing their own installer. The installer gives you the option of having the fonts automatically downloaded whenever you start your computer or having fonts downloaded only when you need to print a particular font.

EPSON Font Manager (Windows Only)

EPSON Font Manager provides you with 131 software fonts.

Installing EPSON Font Manager

Follow these steps to install EPSON Font Manager.

1. Make sure that the printer is turned off and that Windows is running on your computer.
2. Insert the CD-ROM that comes with your printer into your CD-ROM drive.

3. In the dialog box that appears, double-click Install EPSON Font Manager. Alternatively, you can install it by selecting Install EPSON Font Manager and then clicking the arrow at the top right.



4. Follow the on-screen instructions.
5. When installation is complete, click OK.

EPSON Font Manager is now installed on your computer.

EPSON BarCode Fonts (Windows Only)

EPSON BarCode Fonts let you easily create and print many types of bar codes.

Normally, bar code creation is a laborious process requiring you to specify various command codes, such as Start bar, Stop bar and OCR-B, in addition to the bar code characters themselves. However, EPSON BarCode Fonts are designed to add such codes automatically, allowing you to easily print bar codes that conform to a variety of bar code standards.

EPSON BarCode Fonts support the following types of bar codes.

Bar code Standard	EPSON BarCode	OCR-B	Check Digit	Comments
EAN	EPSON EAN-8	Yes	Yes	Creates EAN (abbreviated version) bar codes.
	EPSON EAN-13	Yes	Yes	Creates EAN (standard version) bar codes.
UPC-A	EPSON UPC-A	Yes	Yes	Creates UPC-A bar codes.
UPC-E	EPSON UPC-E	Yes	Yes	Creates UPC-E bar codes.
Code39	EPSON Code39	No	No	Printing of OCR-B and check digits can be specified with the font name.
	EPSON Code39 CD	No	Yes	
	EPSON Code39 CD Num	Yes	Yes	
	EPSON Code39 Num	Yes	No	
Code128	EPSON Code128	No	Yes	Creates Code128 bar codes.

Bar code Standard	EPSON BarCode	OCR-B	Check Digit	Comments
Interleaved 2 of 5 (ITF)	EPSON ITF	No	No	Printing of OCR-B and check digits can be specified with the font name.
	EPSON ITF CD	No	Yes	
	EPSON ITF CD Num	Yes	Yes	
	EPSON ITF Num	Yes	No	
Codabar	EPSON Codabar	No	No	Printing of OCR-B and check digits can be specified with the font name.
	EPSON Codabar CD	No	Yes	
	EPSON Codabar CD Num	Yes	Yes	
	EPSON Codabar Num	Yes	No	

System requirements for using EPSON BarCode Fonts

To use EPSON BarCode Fonts, your computer system should meet the following requirements:

Computer: IBM PC series or IBM compatible with an i386SX or higher CPU

Operating system: Microsoft Windows XP, Me, 98, 95, 2000 or NT 4.0

Hard disk: 15 to 30 KB free space, depending on the font.

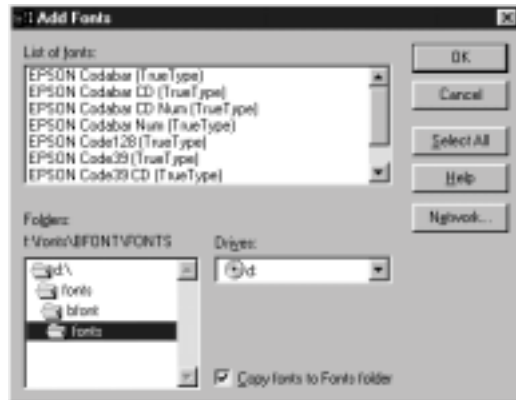
Note:

EPSON BarCode Fonts can only be used with EPSON printer drivers.

Installing EPSON BarCode Fonts

Follow these steps to install EPSON BarCode Fonts. The procedure described here is for installation in Windows 98; the procedure for other Windows operating systems is nearly the same.

1. Turn on the computer and start Windows.
2. Insert the CD-ROM or floppy disk containing the EPSON BarCode Fonts into the appropriate drive.
3. Click Start, point to Settings, then click Control Panel.
4. Double click Fonts.
5. From the File menu, select Install New Font.



6. Select the appropriate CD-ROM or floppy drive, then select the BarCode Fonts folder from the Folders list.

7. In the List of fonts box, select the BarCode Font you want to install, or click Select All to install all EPSON BarCode Fonts.

Note:

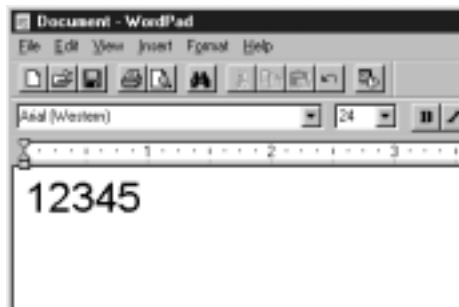
*Make sure that the Copy fonts to Fonts folder **check box** is selected.*

8. Click OK. The selected EPSON BarCode Fonts are installed in the Windows Fonts folder.

Printing with EPSON BarCode Fonts

Follow these steps to create and print bar codes using EPSON BarCode Fonts. The application featured in these instructions is Microsoft WordPad. The actual procedure may differ slightly when printing from other applications.

1. Open a document in your application and enter the characters you want to convert into a bar code.



2. Select the characters, then select Font from the Format menu.



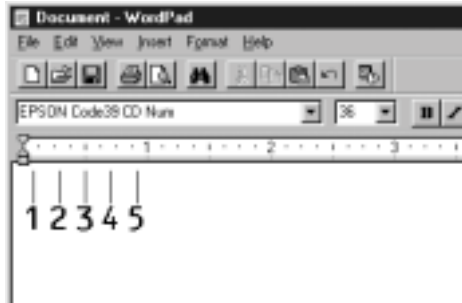
3. Select the EPSON BarCode Font you want to use, then set the font size and click OK.



Note:

In Windows XP, 2000 and NT 4.0, you cannot use font sizes larger than 96 points when printing bar codes.

- The characters you selected appear as bar codes similar to those shown below.



- Select Print from the File menu, then select your EPSON printer and click Properties. Make the following printer driver settings.

Item	Value
Color	Black
Print Quality	Fine (600 dpi)
Toner Save	Not selected
Zoom Options	Not selected
Graphic mode (in the Extended Settings dialog box accessed through the Optional Settings menu)	(not available)
Printing Mode (in the More Settings dialog box accessed through the Basic Settings menu)	High Quality (Printer)

- Click OK to print the bar code.

Note:

If there is an error in the bar code character string, such as inappropriate data, the bar code will be printed as it appears on the screen, but it cannot be read by a bar code reader.

Notes on inputting and formatting bar codes

Please note the following when inputting and formatting bar code characters:

- Do not apply shading or special character formatting, such as bold, italic, or underline.
- Print bar codes in black and white only.
- When rotating characters, only specify rotation angles of 90°, 180°, and 270°.
- Turn off all automatic character and word spacing settings in your application.
- Do not use features in your application which enlarge or reduce the size of characters in only the vertical or horizontal direction.
- Turn off your application's auto-correct features for spelling, grammar, spacing, etc.
- To more easily distinguish bar codes from other text in your document, set your application to show text symbols, such as paragraph marks, tabs, etc.
- Because special characters such as Start bar and Stop bar are added when an EPSON BarCode Font is selected, the resulting bar code may have more characters than were originally input.
- For best results, use only the font sizes recommended in "EPSON BarCode Font specifications" on page 376 for the EPSON BarCode Font you are using. Bar codes in other sizes may not be readable with all bar code readers.

Note:

Depending on the print density, or on the quality or color of the paper, bar codes may not be readable with all bar code readers. Print a sample and make sure the bar code can be read before printing large quantities.

EPSON BarCode Font specifications

This section contains details on the character input specifications for each EPSON BarCode Font.

EPSON EAN-8

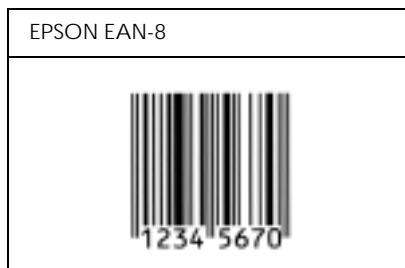
- EAN-8 is an eight-digit abbreviated version of the EAN bar code standard.
- Because the check digit is added automatically, only 7 characters can be input.

Character type	Numbers (0 to 9)
Number of characters	Up to 7 characters
Font size	52 pt to 130 pt (up to 96 pt in Windows XP, 2000 or NT). Recommended sizes are 52 pt, 65 pt (standard), 97.5 pt and 130 pt.

The following codes are inserted automatically and need not be input by hand:

- Left/Right margin
- Left/Right guard bar
- Center bar
- Check digit
- OCR-B

Print sample



EPSON EAN-13

- EAN-13 is the standard 13-digit EAN bar code.
- Because the check digit is added automatically, only 12 characters can be input.

Character type	Numbers (0 to 9)
Number of characters	Up to 12 characters
Font size	60 pt to 150 pt (up to 96 pt in Windows XP, 2000 or NT). Recommended sizes are 60 pt, 75 pt (standard), 112.5 pt and 150 pt.

The following codes are inserted automatically and need not be input by hand:

- Left/Right margin
- Left/Right guard bar
- Center bar
- Check digit
- OCR-B

Print sample



EPSON UPC-A

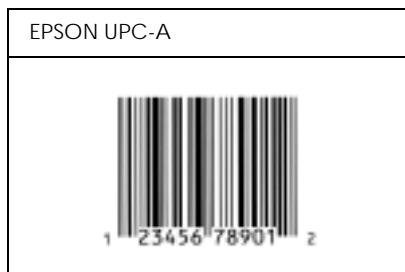
- UPC-A is the UPC-A standard bar code specified by the American Universal Product Code (UPC Symbol Specification Manual).
- Only regular UPC codes are supported. Supplementary codes are not supported.

Character type	Numbers (0 to 9)
Number of characters	Up to 11 characters
Font size	60 pt to 150 pt (up to 96 pt in Windows XP, 2000 or NT). Recommended sizes are 60 pt, 75 pt (standard), 112.5 pt and 150 pt.

The following codes are inserted automatically and need not be input by hand:

- Left/Right margin
- Left/Right guard bar
- Center bar
- Check digit
- OCR-B

Print sample



EPSON UPC-E

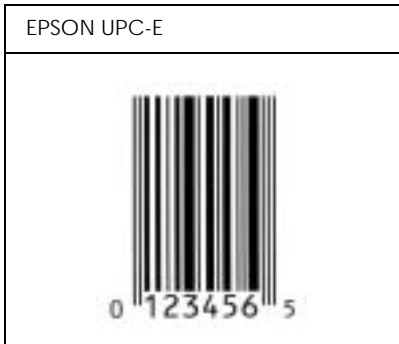
- UPC-E is the UPC-A zero-suppression (deletes extra zeros) bar code specified by the American Universal Product Code (UPC Symbol Specification Manual).

Character type	Numbers (0 to 9)
Number of characters	Up to 6 characters
Font size	60 pt to 150 pt (up to 96 pt in Windows XP, 2000 or NT). Recommended sizes are 60 pt, 75 pt (standard), 112.5 pt and 150 pt.

The following codes are inserted automatically and need not be input by hand:

- Left/Right margin
- Left/Right guard bar
- Check digit
- OCR-B
- The numeral “0”

Print sample



EPSON Code39

- ❑ Four Code39 fonts are available, allowing you to enable and disable the automatic insertion of check digits and OCR-B.
- ❑ The height of the bar code is automatically adjusted to 15% or more of its total length, in conformance to the Code39 standard. For this reason, it is important to keep at least one space between the bar code and the surrounding text to prevent overlapping.
- ❑ Spaces in Code39 bar codes should be input as “_” underbars.
- ❑ When printing two or more bar codes on one line, separate the bar codes with a tab, or select a font other than a BarCode Font and input the space. If a space is input while a Code39 font is selected, the bar code will not be correct.




Character type	Alphanumeric characters (A to Z, 0 to 9) Symbols (- . space \$ / + %)
Number of characters	No limit

Font size	<p>When OCR-B is not used: 26 pt or more (up to 96 pt in Windows XP, 2000 or NT). Recommended sizes are 26 pt, 52 pt, 78 pt and 104 pt.</p> <p>When OCR-B is used: 36 pt or more (up to 96 pt in Windows XP, 2000 or NT). Recommended sizes are 36 pt, 72 pt, 108 pt and 144 pt.</p>
-----------	--

The following codes are inserted automatically and need not be input by hand:

- Left/Right quiet zone
- Check digit
- Start/Stop character

Print sample

EPSON Code39	EPSON Code39 CD
	
EPSON Code39 Num	EPSON Code39 CD Num
 1 2 3 4 5 6 7	 1 2 3 4 5 6 7 8

EPSON Code128

- Code128 fonts support code sets A, B, and C. When the code set of a line of characters is changed in the middle of the line, a conversion code is automatically inserted.



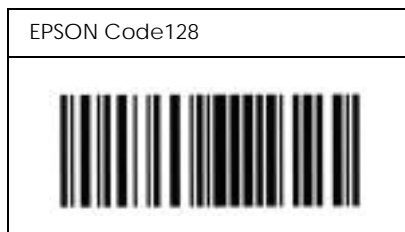
- ❑ The height of the bar code is automatically adjusted to 15% or more of its total length, in conformance to the Code128 standard. For this reason, it is important to keep at least one space between the bar code and the surrounding text to prevent overlapping.
- ❑ Some applications automatically delete the spaces at the end of lines or change multiple spaces into tabs. Bar codes containing spaces may not be correctly printed from applications that automatically delete spaces from the ends of lines or change multiple spaces into tabs.
- ❑ When printing two or more bar codes on one line, separate the bar codes with a tab, or select a font other than a BarCode Font and input the space. If a space is input while Code128 is selected, the bar code will not be correct.

Character type	All ASCII characters (95 in total)
Number of characters	No limit
Font size	26 pt to 104 pt (up to 96 pt in Windows XP, 2000 or NT). Recommended sizes are 26 pt, 52 pt, 78 pt and 104 pt.

The following codes are inserted automatically and need not be input by hand:

- ❑ Left/Right quiet zone
- ❑ Start/Stop character
- ❑ Check digit
- ❑ Change code set character

Print sample



EPSON ITF

- The EPSON ITF fonts conform to the USS Interleaved 2-of-5 standard (American).
- Four EPSON ITF fonts are available, allowing you to enable and disable the automatic insertion of check digits and OCR-B.
- The height of the bar code is automatically adjusted to 15% or more of its total length, in conformance to the Interleaved 2-of-5 standard. For this reason, it is important to keep at least one space between the bar code and the surrounding text to prevent overlapping.
- Interleaved 2 of 5 treats every two characters as one set. When there are an odd number of characters, EPSON ITF fonts automatically add a zero to the beginning of the character string.

Character type	Numbers (0 to 9)
Number of characters	No limit

Font size	When OCR-B is not used: 26 pt or more (up to 96 pt in Windows XP, 2000 or NT). Recommended sizes are 26 pt, 52 pt, 78 pt and 104 pt. When OCR-B is used: 36 pt or more (up to 96 pt in Windows XP, 2000 or NT). Recommended sizes are 36 pt, 72 pt, 108 pt and 144 pt.
-----------	---

The following codes are inserted automatically and need not be input by hand:

- Left/Right quiet zone
- Start/Stop character
- Check digit
- The numeral “0” (added to the beginning of character strings as needed)

Print sample

EPSON ITF	EPSON ITF CD
	
EPSON ITF Num	EPSON ITF CD Num
	

EPSON Codabar

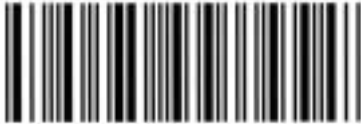



- Four Codabar fonts are available, allowing you to enable and disable the automatic insertion of check digits and OCR-B.
- The height of the bar code is automatically adjusted to 15% or more of its total length, in conformance to the Codabar standard. For this reason, it is important to keep at least one space between the bar code and the surrounding text to prevent overlapping.
- When either a Start or a Stop character is input, Codabar fonts automatically insert the complementary character.
- If neither a Start nor a Stop character is input, these characters are automatically input as the letter “A”.

Character type	Numbers (0 to 9) Symbols (- \$: / . +)
Number of characters	No limit
Font size	When OCR-B is not used: 26 pt or more (up to 96 pt in Windows XP, 2000 or NT). Recommended sizes are 26 pt, 52 pt, 78 pt and 104 pt. When OCR-B is used: 36 pt or more (up to 96 pt in Windows XP, 2000 or NT). Recommended sizes are 36 pt, 72 pt, 108 pt and 144 pt.

The following codes are inserted automatically and need not be input by hand:

- Left/Right quiet zone
- Start/Stop character (when not input)
- Check digit

Print sample

EPSON Codabar	EPSON Codabar CD
	
EPSON Codabar Num	EPSON Codabar CD Num
 A 1 2 3 4 5 6 7 A	 A 1 2 3 4 5 6 7 4 A

Contacting Customer Support

Contacting Customer Support.	390
For users in North America	391
For users in Latin America	392
For users in the United Kingdom and the Republic of Ireland	393
For users in the Middle East	394
For users in Scandinavia	395
For users in South Africa	396
For users in Australia.	397
For users in Singapore	399
For users in Thailand	399
For users in Indonesia	400
For users in Hong Kong	400
For users in Malaysia	401
For users in India	402
For users in the Philippines.	403

Contacting Customer Support

If your EPSON product is not operating properly and you cannot solve the problem using the troubleshooting information in your product documentation, contact customer support services for assistance. If customer support for your area is not listed below, contact the dealer where you purchased your product.

Customer support will be able to help you much more quickly if you give them the following information:

- Product serial number**
(The serial number label is usually on the back of the product.)
- Product model**
- Product software version**
(Click About, Version Info, or similar button in the product software.)
- Brand and model of your computer**
- Your computer operating system name and version**
- Names and versions of the software applications you normally use with your product**

For users in North America

D

If you purchased your printer in the United States or Canada, EPSON provides technical assistance 24 hours a day through the electronic support services and automated telephone services listed in the following table:

Service	Access
World Wide Web	From the Internet, you can reach EPSON Support at http://support.epson.com . At this site, you can download drivers and other files, look at documentation such as product brochures and user manuals, and access troubleshooting information.
EPSON Internet FTP Site	If you have Internet FTP capability, use your Web browser (or other software for FTP downloading) to log onto ftp.epson.com with the user name anonymous and your e-mail address as the password.
EPSON E-MAIL Technical Support	To receive technical advice through e-mail, go to http://support.epson.com and complete the form under the troubleshooting tab, as requested.
Automated Telephone Services	A variety of automated help services are available 24 hours a day, seven days a week. To use these services, you must have a touch tone telephone and call (800) 922-8911 .

To speak directly to a technical support representative, dial: **(888) 377-6611**, 6 AM TO 8 PM, Pacific Time, Monday through Friday and 7 AM to 4 PM, Pacific Time, Saturday and Sunday.

Before you call, make sure you have your Unit ID number ready.

You can purchase ink or toner cartridges, paper, manuals, and accessories from EPSON at **(800) 873-7766** or visit our web site at <http://www.epsonstore.com> (U.S. sales only). In Canada, please call **(800) 873-7766** for dealer referral.

For users in Latin America

Electronic support services are available 24 hours a day at the following web sites:

Service	Access
World Wide Web	From the Internet, you can reach EPSON's Latin American web site at http://www.latin.epson.com In Brazil, you can reach Epson at http://www.epson.com.br

To speak with a customer support representative, call one of the numbers below:

Country	Telephone number
Argentina	11-4346-0300
Brazil	(55 11) 7296-6100
Chile	02-236-6717
Colombia	01-523-5000
Costa Rica	6-296-6222
México México, D.F. Resto del país	5-328-4008 01-800-50-607-00
Perú	224-2336
Venezuela	58-2-240-1111

For users in the United Kingdom and the Republic of Ireland

D

<http://www.epson.co.uk>

Visit our Internet home page for a full list of support and warranty services including:

- Register your product on-line
- Free access to the latest EPSON software drivers
- Easy access to frequently asked questions
- Interactive web based support tool to help you quickly resolve support issues
- Chat directly with a support technician on-line
- Email Technical Support

Support Via Telephone

UK 08701 637 766

The Republic of Ireland 01 679 9015

Pre-Sales Enquiries, Literature Requests and Nearest Dealer

Home Page: <http://www.epson.co.uk>

Email: info@epson.co.uk

Telephone: UK 0800 220 546
The Republic of Ireland 1 800 409 132

Fax: UK 01442 227271
The Republic of Ireland 00 44 1442 227 271

For users in the Middle East

Some of these services may be available in English only.

<http://www.epson.com>

Select your country from our Internet home page for a full list of support and warranty services including:

- Register your product on-line
- Free access to the latest EPSON software drivers
- Easy access to frequently asked questions
- Interactive web based support tool to help you quickly resolve support issues

- Chat directly with a support technician on-line
- Email Technical Support

Technical Support Via Email and Telephone

Email: epson_support@compubase.co.ae
Telephone: +971 4 351 7777
Fax: +971 4 351 6617

Pre-Sales Enquiries, Literature Requests and Nearest Dealer

Select your country from our Internet home page at
<http://www.epson.com>.

For users in Scandinavia

Some of these services may be available in English only.

<http://www.epson.com>

Select your country from our Internet home page for a full list of support and warranty services including:

- Register your product on-line
- Free access to the latest EPSON software drivers
- Easy access to frequently asked questions
- Interactive web based support tool to help you quickly resolve support issues
- Chat directly with a support technician on-line

❑ Email Technical Support

Support Via Telephone

Denmark	80 88 11 27
Finland	0800 523 010
Norway	800 11 828
Sweden	08 445 12 58

Pre-Sales Enquiries Literature Requests and Nearest Dealer

Denmark	Home Page:	http://www.epson.dk
	Telephone:	38 48 71 37
Finland	Home Page:	http://www.epson.fi
	Telephone:	0981 710 083
Norway	Home Page:	http://www.epson.no
	Telephone:	231 62 124
Sweden	Home Page:	http://www.epson.se
	Telephone:	08 519 92 082

For users in South Africa

Some of these services may be available in English only.

<http://www.epson.co.za>

Visit our Internet home page for a full list of support and warranty services including:

- Register your product on-line
- Free access to the latest EPSON software drivers
- Easy access to frequently asked questions
- Interactive web based support tool to help you quickly resolve support issues
- Chat directly with a support technician on-line
- Email Technical Support

Support Via Telephone

Telephone: (011) 444-5223 or 0800 600 578

Pre-Sales Enquiries Literature Requests and Nearest Dealer

Home Page: <http://www.epson.co.za>

Telephone: (011) 448-2736 or 0800 005 956

For users in Australia

EPSON Australia wishes to provide you with a high level of customer service. In addition to your product documentation, we provide the following sources for obtaining information:

Your Dealer

Don't forget that your dealer can often help identify and resolve problems. The dealer should always be the first call for advise on problems; they can often solve problems quickly and easily as well as give advise on the next step to take.

Internet URL <http://www.epson.com.au>

Access the EPSON Australia World Wide Web pages. Worth taking your modem here for the occasional surf! The site provides a download area for drivers, EPSON contact points, new product information and technical support (e-mail).

EPSON Faxback Service

EPSON Faxback service will fax you the latest specifications for most EPSON products offered in Australia. Phone (02) 9903 9075 and the system will guide you through a number of choices before faxing the information to your fax machine.

EPSON Helpdesk

EPSON Helpdesk is provided as a final backup to make sure our clients have access to advise. Operators on the Helpdesk can aid you in installing, configuring and operating your EPSON product. Our Pre-sales Helpdesk staff can provide literature on new EPSON products and advise where the nearest dealer or service agent is located. Many types of queries are answered here.

The Helpdesk numbers are:

Phone: 1300 361 054

Fax: (02) 9903 9189

We encourage you to have all the relevant information on hand when you ring. The more information you prepare, the faster we can help solve the problem. This information includes your EPSON product documentation, type of computer, operating system, application programs, and any information you feel is required.

For users in Singapore

Sources of information, support, and services available from Epson Singapore are:

World Wide Web (<http://www.epson.com.sg>)

Information on product specifications, drivers for download, Frequently Asked Questions (FAQ), Sales Enquiries, and Technical Support via e-mail are available.

Epson HelpDesk (Phone: (065) 5863111)

Our HelpDesk team can help you with the following over the phone:

- Sales enquiries and product information
- Product usage questions or problem
- Enquiries on repair service and warranty

For users in Thailand

Contact for information, support, and services are:

World Wide Web (<http://www.epson.co.th>)

Information on product specifications, drivers for download, Frequently Asked Questions (FAQ), and e-mail are available.

Epson Hotline (Phone: (662) 670-0333)

Our Hotline team can help you with the following over the phone:

- Sales enquiries and product information
- Product usage questions or problem
- Enquiries on repair service and warranty

For users in Indonesia

Contacts for information, support, and services are:

World Wide Web (<http://epson-indonesia.com>)

- Information on product specifications, drivers for download
- Frequently Asked Question (FAQ), Sales Enquires, questions through e-mail

Epson Hotline

- Sales enquires and product information
- Technical support

Phone 62 21 5724350

Fax 62 21 5724357

For users in Hong Kong

To obtain technical support as well as other after-sales services, users are welcome to contact EPSON Hong Kong Limited.

Internet Home Page

EPSON Hong Kong has established a local home page in both Chinese and English on the Internet to provide users with the following information:

- Product information
- Answers to Frequently Asked Questions (FAQs)
- Latest versions of EPSON product drivers

Users can access our World Wide Web home page at:

<http://www.epson.com.hk>

Electronic Bulletin Board System

An electronic bulletin board system (BBS) is also available to obtain product information and the latest versions of product drivers. You can log on to the following number for the BBS service:

BBS: (852) 2827-4244

Technical Support Hotline

You can also contact our technical staff at the following telephone and fax numbers:

Phone: (852) 2585-4399

Fax: (852) 2827-4383

For users in Malaysia

Contacts for information, support, and services are:

World Wide Web (<http://www.epson.com.my>)

Information on product specifications, drivers for download, Frequently Asked Questions (FAQ), and E-mail Enquiries are available.

Epson Trading Shah Alam Head Office

Phone: 03 5569 1366

Fax: 03 5569 1281

Epson Helpdesk (Phone: 1800 881 778)

Our Hotline team can help you with the following over the phone:

- Sales enquiries and product information
- Product usage questions or problems
- Enquiries on repair service and warranty
- Technical support

For users in India

Contacts for information, support, and services are:

World Wide Web (<http://www.epson.co.in>)

Information on product specifications, drivers for download, Frequently Asked Questions (FAQ), Products Enquiry, and Technical Query are available.

Epson India Head Office - Bangalore:

Phone: 5321 266-70
Fax: 5581799/5321095
Help Desk Phone: 5321 625



Epson India Regional Offices:

Mumbai	Phone: 8261516-17 Fax: 8257287 Help Desk Phone: 8261515
Delhi	Phone: 3352051-53 Fax: 3352054 Help Desk Phone: 3706222
Chennai	Phone: 8203940-41 Fax: 8272463 Help Desk Phone: 8218659
Kolkata	Phone: 2871355 Fax: 2871357 Help Desk Phone: 2404932

For users in the Philippines

To obtain technical support as well as other after sales services, users are welcome to contact the EPSON Philippines Corporation at the telephone and fax numbers and e-mail address below:

Phone: (63) 2-813-6567

Fax: (63) 2-813-6545

E-mail: customersupport@epc.epson.com.ph

World Wide Web (<http://www.epson.com.ph>)

Information on product specifications, drivers for download, Frequently Asked Questions (FAQ), and E-mail Enquiries are available.

Epson Helpdesk (Phone: (63) 2-813-6567)

Our Hotline team can help you with the following over the phone:

- Sales enquiries and product information
- Product usage questions or problems
- Enquiries on repair service and warranty

Glossary

ASCII

American Standard Code for Information Interchange. A standardized way of assigning codes to characters and control codes. The system is widely used by manufacturers of computers, printers, and software.

buffer

The section of the printer memory reserved for receiving data.

character set

A collection of letters, numbers, and symbols used in a particular language.

ColorSync

Macintosh software that is designed to help you get WYSIWYG (what you see is what you get) color output. This software prints colors as you see them on your screen.

cpi (characters per inch)

A measure of the size of fixed-width text characters.

CR (carriage return)

A control code to return the printing position to the start of the next line after printing one line.

default

A value or setting that takes effect when the printer is turned on, reset, or initialized.

dpi (dots per inch)

The number of dots per inch is a measure of printer resolution. The higher the number of dots, the higher the resolution.

download

To transfer information from the computer to the printer.

downloaded font

A font that is loaded into the printer's memory from an outside source, such as a computer. Also called soft font.

driver

See *printer driver*.

drum

The part of the printer mechanism where the image is formed and transferred to paper.

emulation

See *printer emulation*.

FF (Form Feed)

A control code to break the page.

fixed-width font

A font whose characters are allotted the same amount of horizontal space, no matter the width of the character. Thus the uppercase *M* receives the same amount of space as the lowercase *l*.

font

A set of characters and symbols that share a common typographic design and style.

font family

The collection of all sizes and styles of a font.

halftone

A grayscale image that is composed of small dots. The dots can be close together to create black or more widely spaced to create gray or white areas in the image. Newspaper photographs are common examples of halftones.

initialization

The act of returning the printer to its defaults (fixed set of conditions).

interface

The connection between the printer and the computer. A parallel interface transmits data one character or code at a time, while a serial interface transmits data one bit at a time.

landscape

Printing that is oriented sideways on the page. This orientation gives you a page that is wider than it is high and is useful for printing spreadsheets.

LF (Line Feed)

A control code to start a new line.

memory

The part of the printer's electronic system that is used to store information. Some information is fixed and is used to control how the printer operates. Information that is sent to the printer from the computer (such as downloaded fonts) is stored in memory temporarily. See also *RAM* and *ROM*.

orientation

Refers to the direction in which characters are printed on a page. This direction is either portrait, where the length of the page is longer than its width, or landscape, where the width is longer than its length.

outline font

A font whose outline is described mathematically, allowing it to be rendered (printed or displayed) smoothly at any size.

PCL

The command language built into the Hewlett-Packard® LaserJet® series printers.

photoconductor unit

A component of the printer that contains a photosensitive print drum, developer unit, and intermediate transfer unit. The photoconductor fixes the toner on the paper using heat and pressure.

pitch

A measure of the number of characters per inch (cpi) for fixed-width fonts.

point size

The height of a particular font as measured from the top of the tallest character to the bottom of the lowest. A point is a typographic unit of measure equivalent to 1/72 inch.

portrait

Printing that is oriented upright on the page (as opposed to landscape, in which printing is oriented sideways on the page). This is the standard orientation for printing letters or documents.

ppm (pages per minute)

The number of pages that can be printed in one minute.

printer driver

Software that sends instructions to the printer to tell it what to do. For example, your printer driver accepts print data from your word processor application and sends instructions to the printer on how to print this data.

printer emulation

A set of operating commands that determines how data sent from the computer is interpreted and acted upon. Printer emulations replicate existing printers, such as the HP LaserJet 4.

proportional font

A font whose characters have varying amounts of horizontal space depending on the width of the character. Thus the uppercase *M* takes up more horizontal space than the lowercase *l*.

RAM

Random Access Memory. The portion of the printer's memory used as a buffer and for storing user-defined characters. All data stored in RAM is lost when the printer is turned off.

reset

To refresh the printer's memory and erase the current print jobs.

resident font

A font that is stored permanently in the printer's memory.

resolution

A measure of the fineness and clarity of images produced by the printer or monitor. Printer resolution is measured in dots per inch. Monitor resolution is measured in pixels.

RItech

Resolution Improvement Technology. A feature that smooths the jagged edges of printed lines or shapes.

ROM

Read Only Memory. A portion of memory that can only be read and cannot be used for data storage. ROM retains its contents when you turn off the printer.

sans serif font

A font lacking serifs.

scalable font

See *outline font*.

serif

The small decorative strokes that come off the main lines of a character.

sRGB

A standard default red green blue (RGB) color space that is device independent.

status sheet

A printed report that lists the printer settings and other printer information.

symbol set

A collection of symbols and special characters. Symbols are assigned to specific codes in a character table.

toner

The colored powder contained in the toner cartridges that is used to print images on the paper.

TrueType

An outline font format that was developed jointly by Apple® Computer and Microsoft® Corporation. TrueType fonts are outline fonts that can be easily resized for screen display or for printing.

