

EN

SC-B7000 Series Setup Guide

TC

SC-B7070 安裝說明

| | | | |
|---|----|--------------------------------|-----------|
|  | EN | Assembly | 5 |
| | TC | 組裝 | |
|  | | | |
|  | EN | Loading Media | 18 |
| | TC | 裝入材料 | |
|  | | | |
|  | EN | Installing the Software | 24 |
| | TC | 安裝軟體 | |
|  | | | |
|  | EN | Seeing the Online Guide | 27 |
| | TC | 請參考線上手冊 | |

Illustrations

The printer shown in the illustrations in this guide differs in some respects from the actual product, but these differences have no effect on the assembly process.

Some show the printer with the optional auto take-up reel unit attached.

Safety Instructions

Read all of these instructions before using your printer. Also be sure to follow all warnings and instructions marked on the printer.

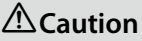


Warning

- ❑ Use only the power cord that comes with the printer. Use of another cord may result in fire or electric shock.
- ❑ Wear protective eyewear and gloves when refilling ink tanks or replacing the Waste Ink Bottle. Should ink contact your skin or enter your eyes or mouth, immediately take the following actions:
 - If fluid adheres to your skin, immediately wash it off using large volumes of soapy water. Consult a physician if the skin appears irritated or is discolored.
 - If fluid enters your eyes, rinse immediately with water. Failure to observe this precaution could result in bloodshot eyes or mild inflammation.
 - If swallowed, induce vomiting and consult a physician immediately.

Caution

- ❑ The printer unit is heavy and unwieldy. Have 6 or more people unpack and assemble the printer and stand.
- ❑ Be careful not to trap your hands or fingers when opening or closing the front cover. Failure to observe this precaution could result in injury.

Meaning of Symbols

| | |
|---|---|
|  Caution | Cautions must be followed to avoid bodily injury. |
|  | Important : Important must be followed to avoid damage to this product. |
|  | Note : Notes contain useful or additional information on the operation of this product. |

插圖

在此手冊圖示中的印表機的某些方面可能與實機不同，但這些差異性並不會影響到組裝步驟。有些圖示中的印表機加裝了選購自動收紙單元。

安全說明

使用印表機之前，請閱讀下列這些指示說明。同時，請務必遵守印表機上所標示的警告訊息和指示。

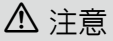


警告

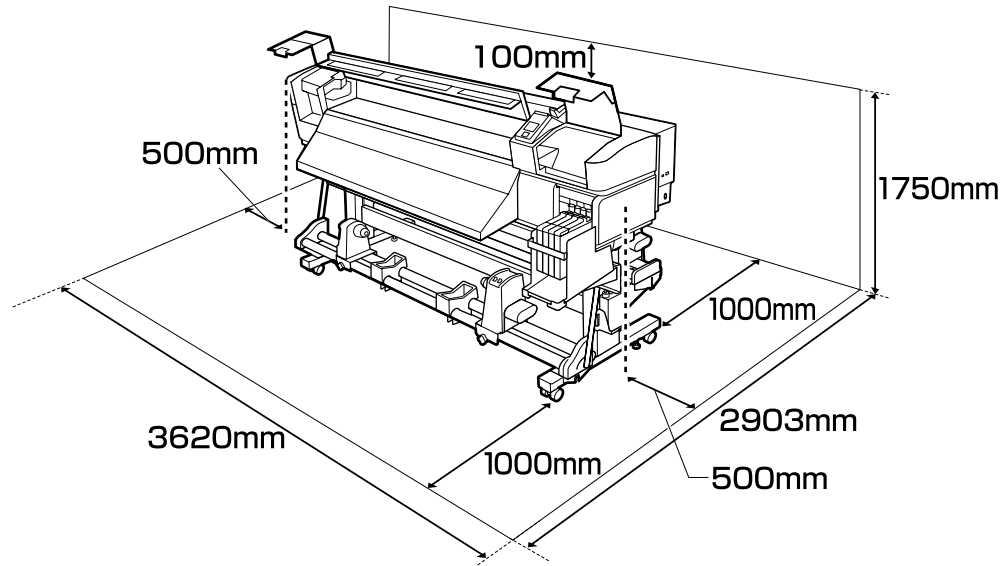
- ❑ 只使用此印表機內附的電源線。使用其他的電源線可能會引起火災或造成觸電。
- ❑ 當填充大容量墨水槽或更換廢墨桶時，請戴上護目鏡和手套。如果墨水接觸到皮膚或是濺入眼睛或嘴巴，請立即採取下列動作：
 - 若液體沾黏在皮膚上，請立即使用大量的肥皂水沖洗。如果皮膚出現過敏和變色的現象，請找醫師治療。
 - 若液體濺入眼睛，請立刻用水沖洗。不遵守此預防措施可能會導致眼睛充血或輕度發炎。
 - 若有吞入，請催吐並且立刻看醫生。

注意

- ❑ 此印表機裝置沉重且龐大，需要至少 6 人一起拆開包裝和組裝印表機及支架。
- ❑ 當打開或闔上前蓋時請小心，不要弄傷您的手或手指。不遵守此注意事項可能會造成身體受傷。

圖示說明

| | |
|---|-----------------------|
|  注意 | 請務必遵守注意事項，以免身體受傷。 |
|  | 附註：請務必遵守附註事項，以免損壞設備。 |
|  | 秘訣：提供使用印表機的實用技巧及其他資訊。 |

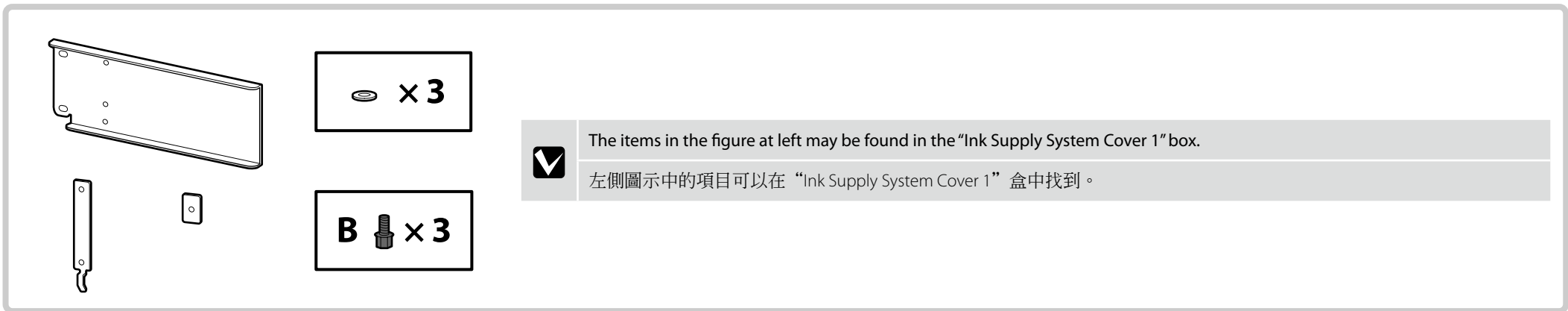
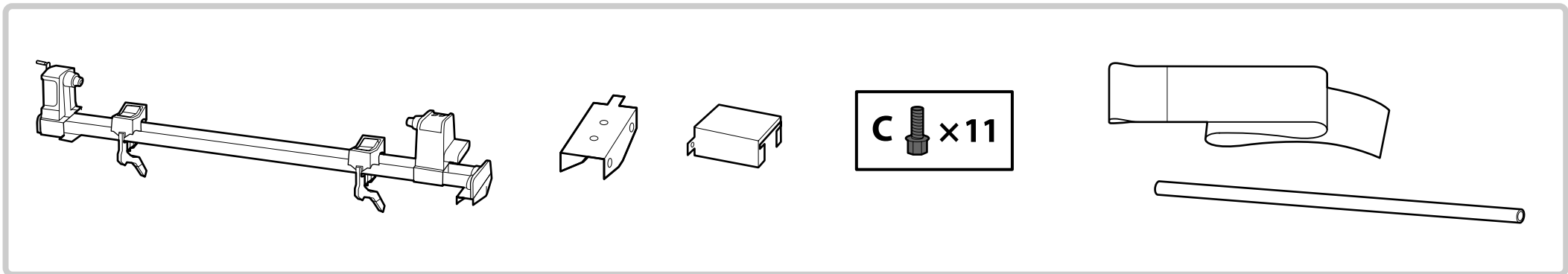
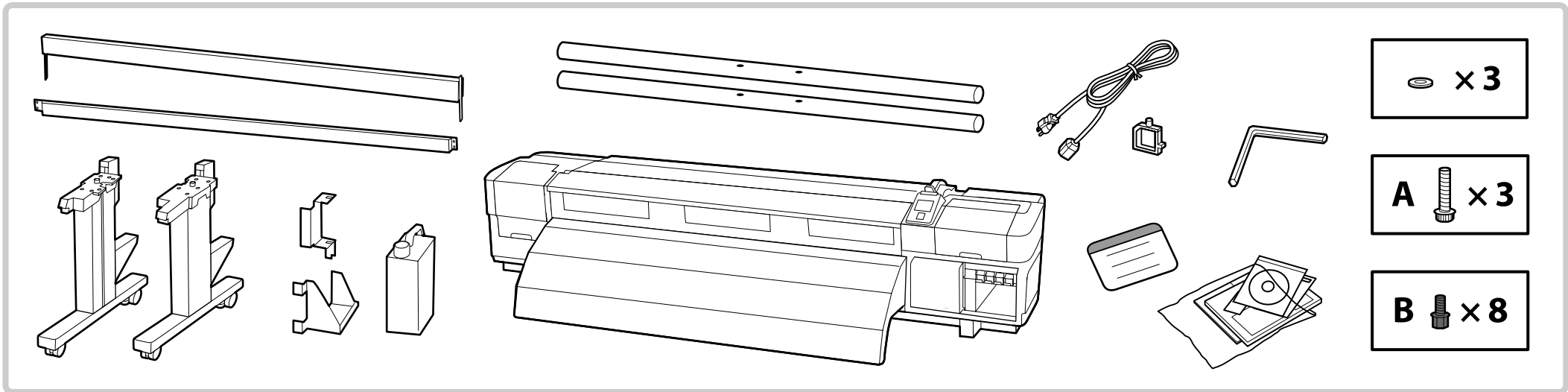


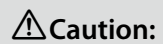
Instructions for Placing the Printer

- ❑ Leave adequate room as shown in the table for setting up the printer.
- ❑ Choose a level and stable location that can support the weight of the printer (about 204 kg).
- ❑ Use only an outlet that meets the power requirements of this printer.
- ❑ Operate the printer under the following conditions:
 Temperature: 15 to 35°C (59 to 95°F)
 Humidity: 20 to 80% without condensation
- ❑ Even the conditions above are met, you may not print properly if the environmental conditions are not proper for the paper. See the instructions of the paper for more detailed information.
- ❑ Keep the printer away from drying, direct sunlight, or heat sources to maintain the appropriate humidity.

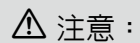
放置印表機的說明

- ❑ 請依照圖示，在桌面上預留足夠的空間以設置印表機。
- ❑ 請選擇可支撐印表機重量（約 204 公斤）並且又平坦又穩固的位置。
- ❑ 僅使用符合此印表機電源規格的電源插座。
- ❑ 請在下列條件下操作印表機：
 - 溫度：15 至 35°C (59 至 95°F)
 - 濕度：20 至 80% 無凝結
- ❑ 即使符合了上述條件，但如果環境條件不適合紙張，還是可能無法正確列印。詳細資料，請查看紙張的操作說明。
- ❑ 避免將印表機放在過於乾燥、陽光直射、或高溫之處以維持適當的濕度。





Caution: Before assembling the printer, clear the work area by putting away the removed packing materials and bundled items.



注意： 組裝印表機之前，請先收好拆下的包裝材料及內附的配件，清理工作區域。

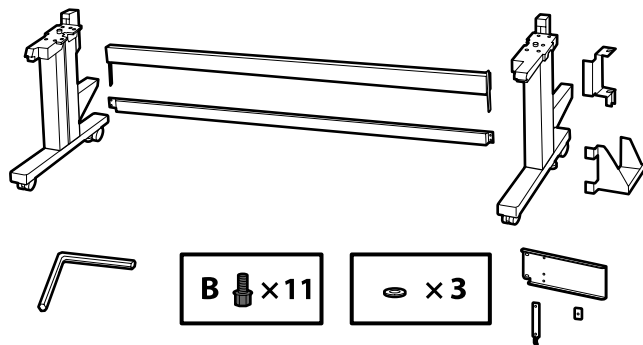


It is recommended to assemble the stand by a group of three.

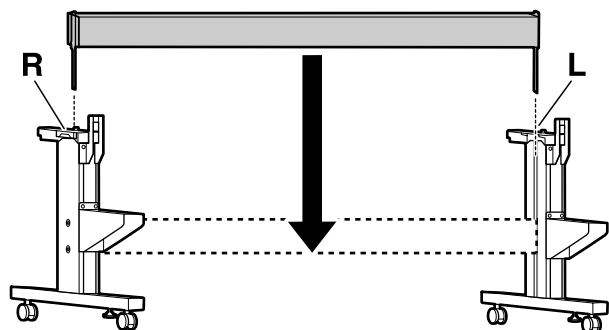
建議三人一起組裝腳架。

Stand

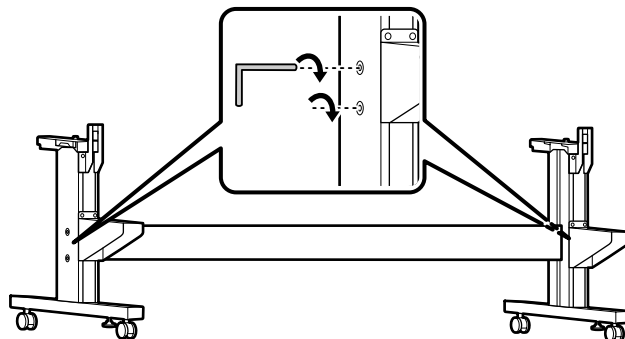
腳架



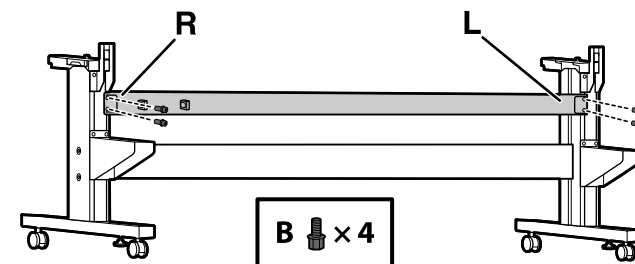
[1]



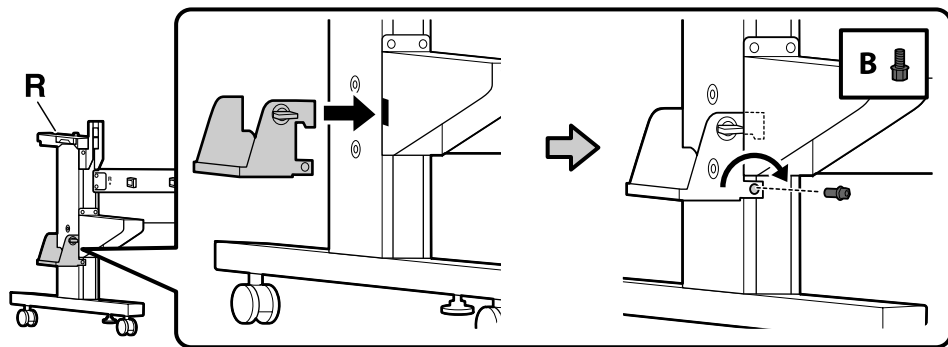
[2]



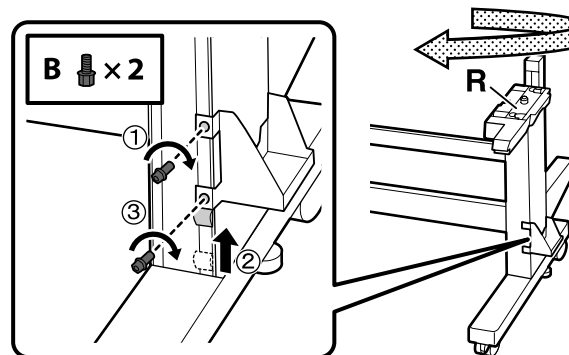
[3]



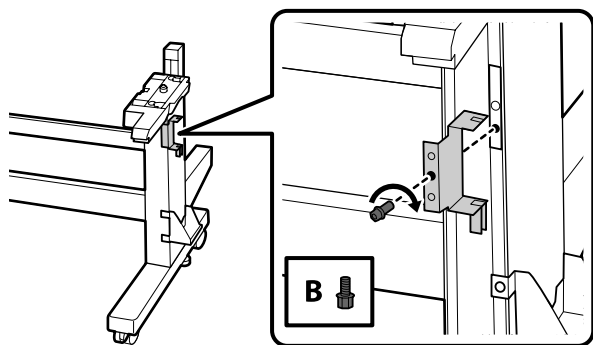
[4]



[5]



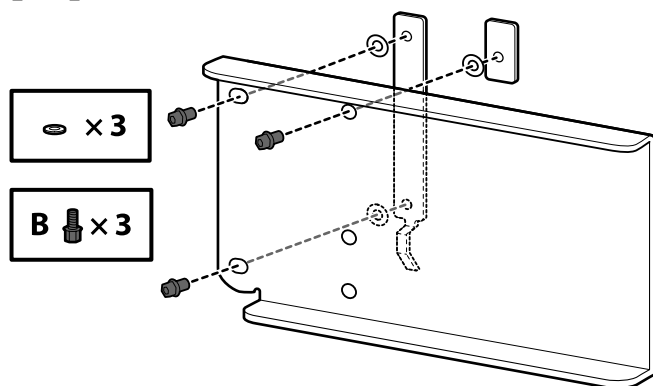
[6]



Temporarily fasten the screw as shown in the figure.

暫時鎖緊圖示中的螺絲。

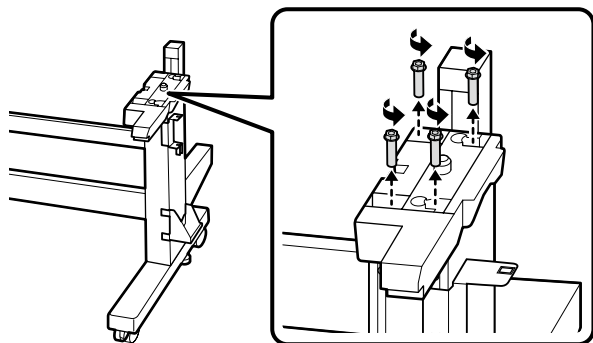
[7]



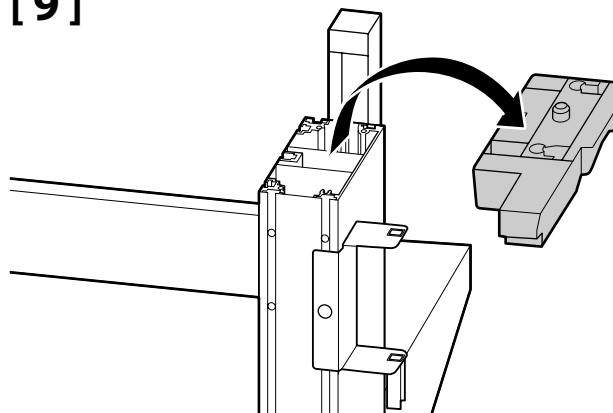
Give the screws shown in the figure a couple of turns to fasten the parts temporarily. The items in the following steps can not be attached if the screws are too tight.

將圖示中的螺絲轉幾圈，暫時固定部件。若螺絲鎖太緊，可能會無法安裝下列步驟中的項目。

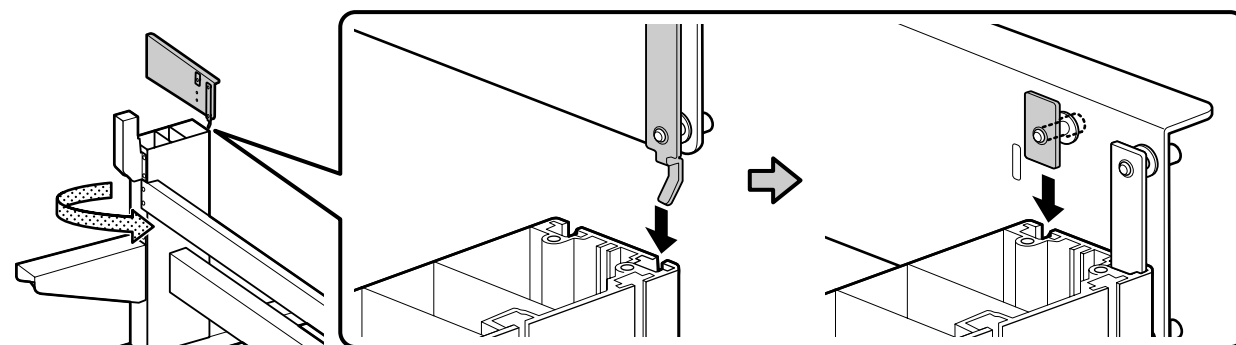
[8]



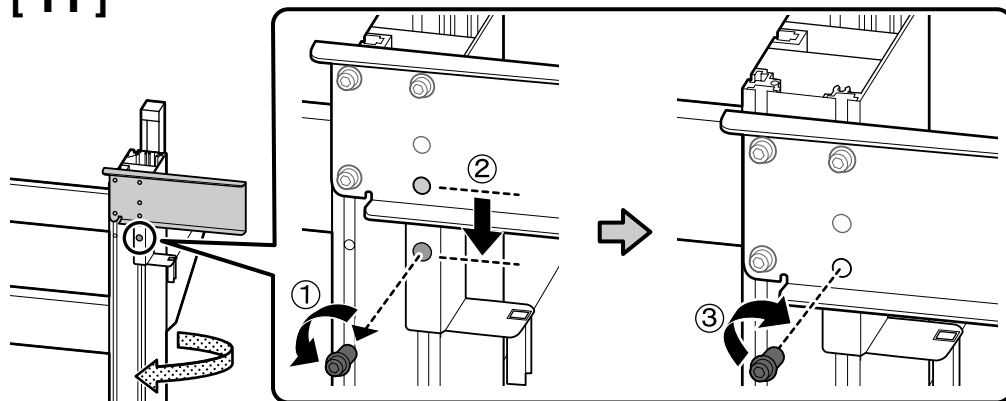
[9]



[10]



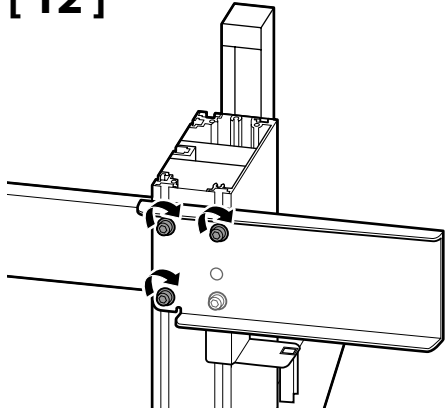
[11]



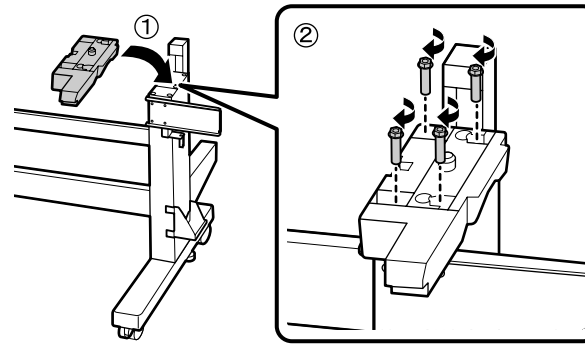
(1) Unscrew, (2) align, and (3) fasten.

(1) 鬆開、(2) 對準、並且 (3) 鎖緊。

[12]

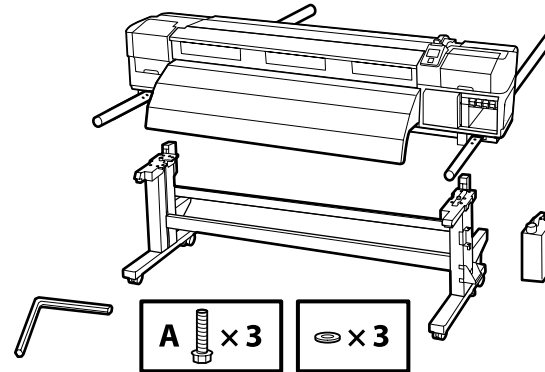


[13]

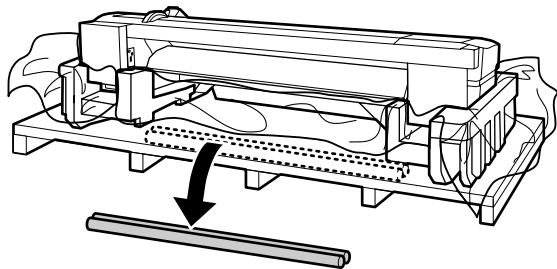


Printer Installation

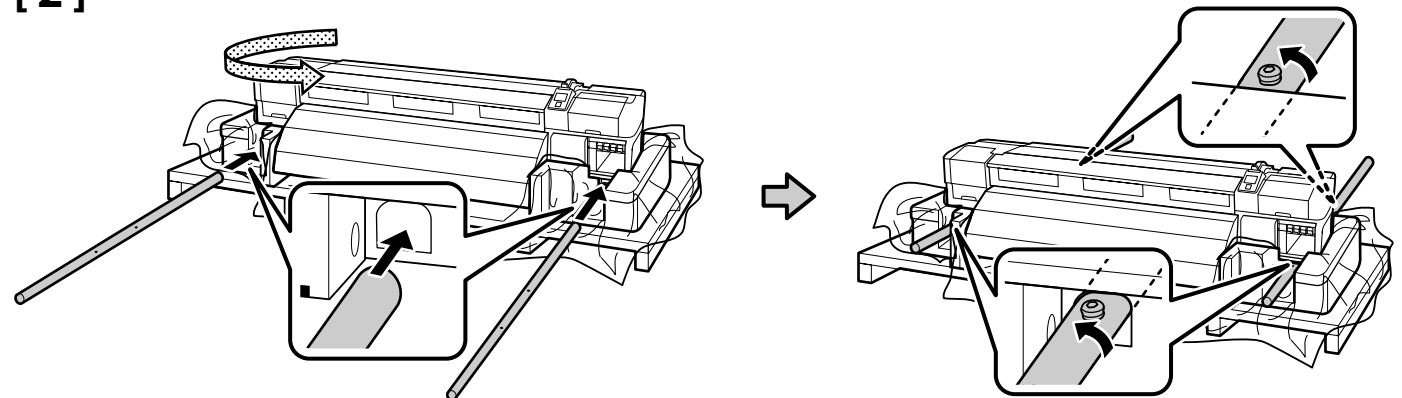
安裝印表機



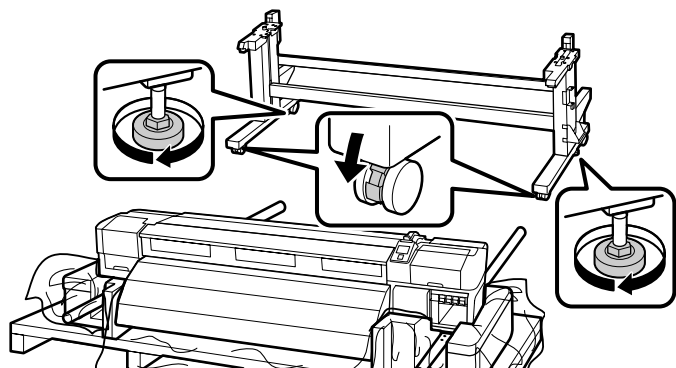
[1]



[2]



[3]



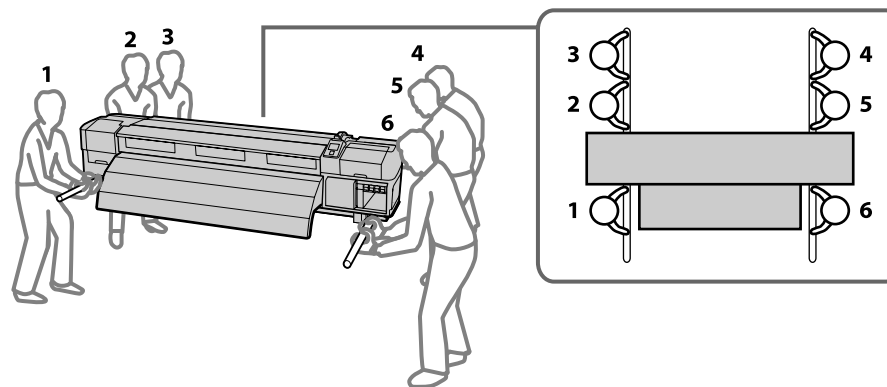
Before using the printer, be sure the stand is fixed in place. When moving the printer, rotate the adjusters in the opposite direction to raise them and then unlock the casters.

使用印表機之前，請確認腳架已固定到位。當要搬動印表機時，請以反方向旋轉固定旋鈕，將其升高，然後解開腳輪的鎖定。

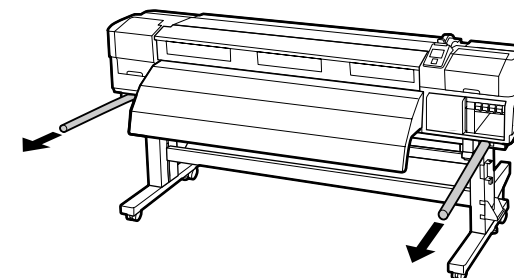
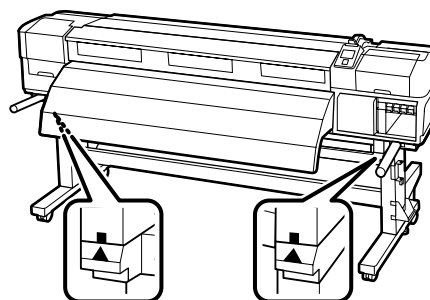
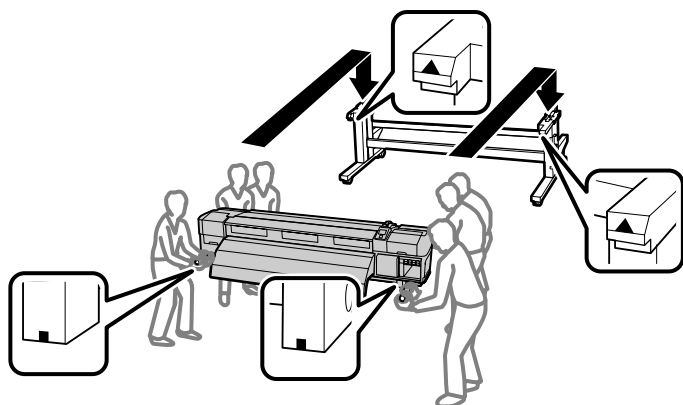
[4]

⚠ Caution: When carrying the printer, use at least six persons.

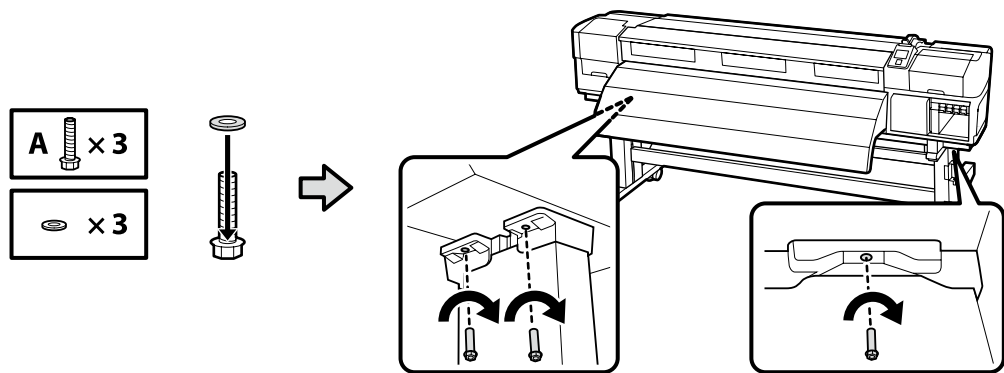
⚠ 注意： 搬運印表機至少需要 6 人。



[5]

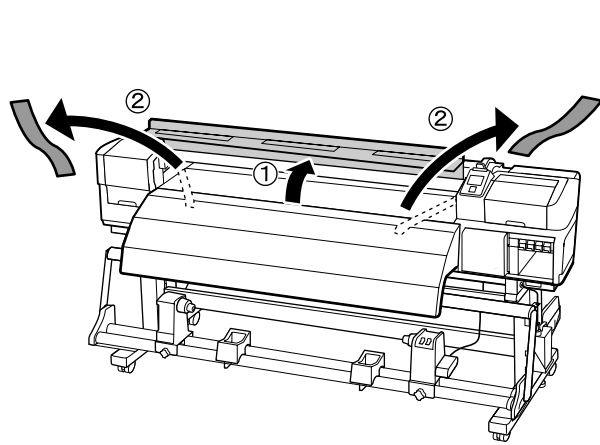


[6]

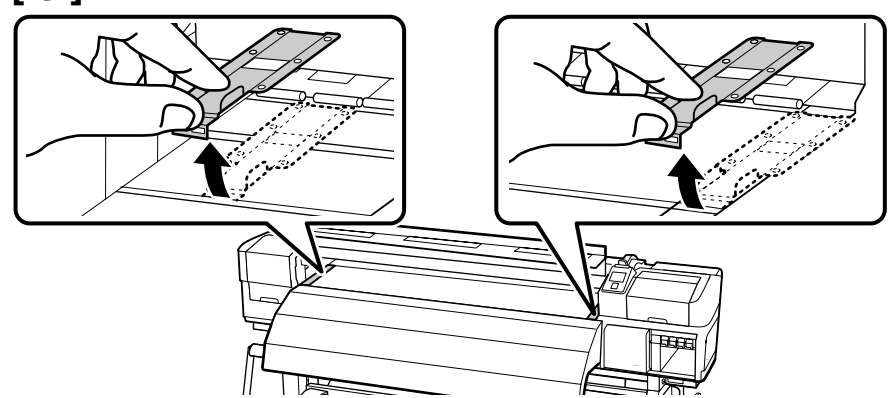


[7]

| | |
|-------------------|---|
| ⚠ Caution: | Be careful not to trap your hands or fingers when opening or closing the front cover. |
| ⚠ 注意： | 當打開或闔上前蓋時請小心，不要弄傷您的手或手指。 |

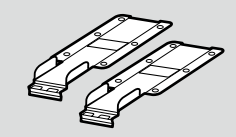


[8]

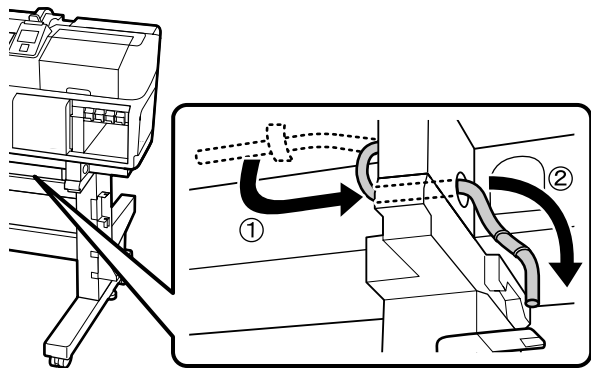


The removed media holding plate is used when printing on media with a thickness of less than 0.4 mm.

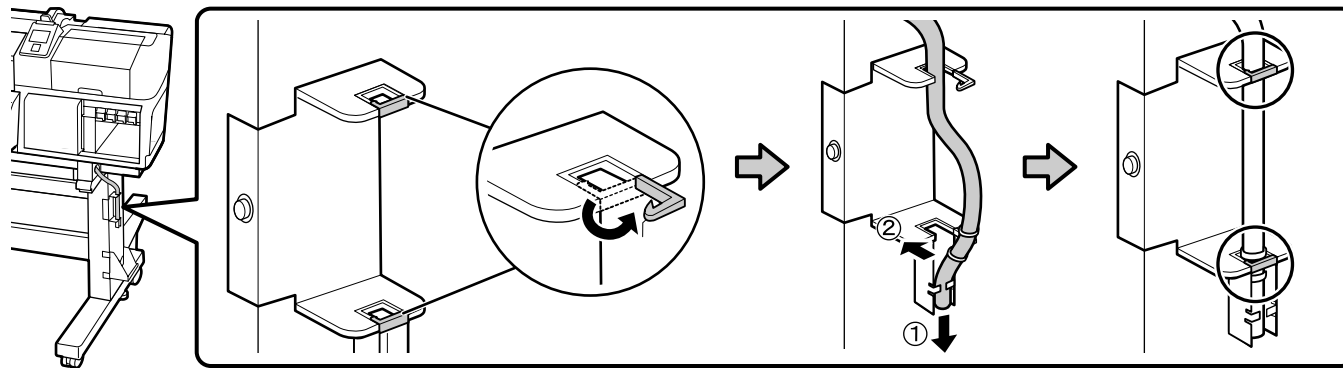
當列印在厚度小於 0.4 mm 的材料時，請使用可移除的材料支撐板。



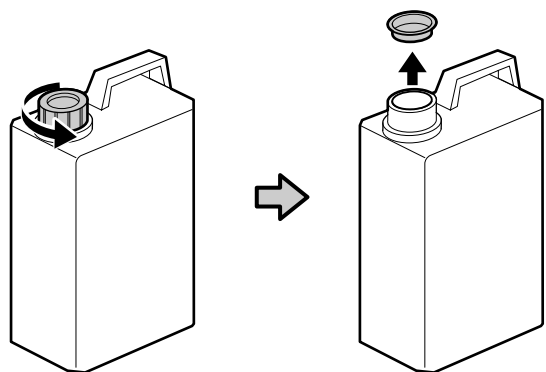
[9]



[10]



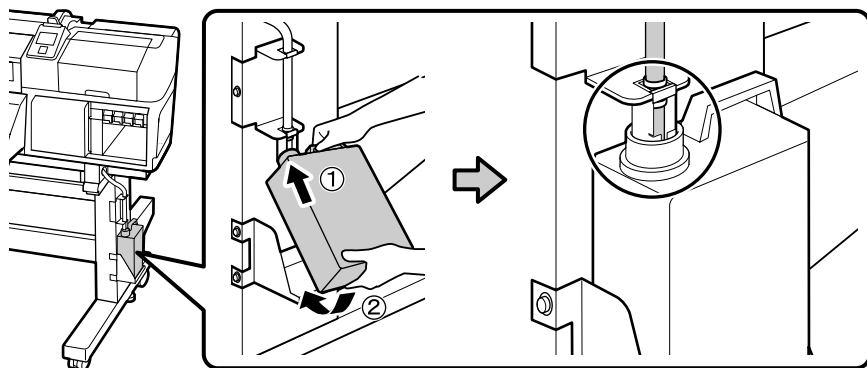
[11]



The lid of the Waste Ink Bottle is required when disposing of the waste ink. Keep the lid. Do not throw it away.

處理廢墨時需要使用廢墨桶的蓋子。請收好蓋子。切勿丟棄。

[12]

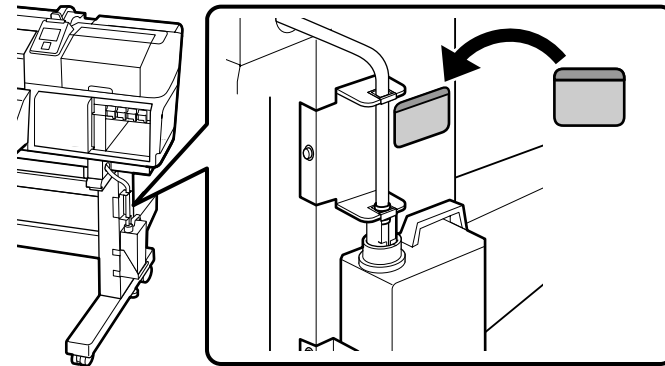


[13]



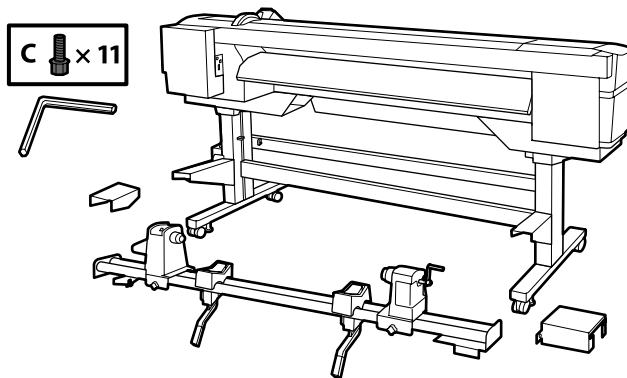
Place the caution label for your language over the English label.

請將繁體中文的警告標籤貼在英文標籤上方。



Media Feeding Unit

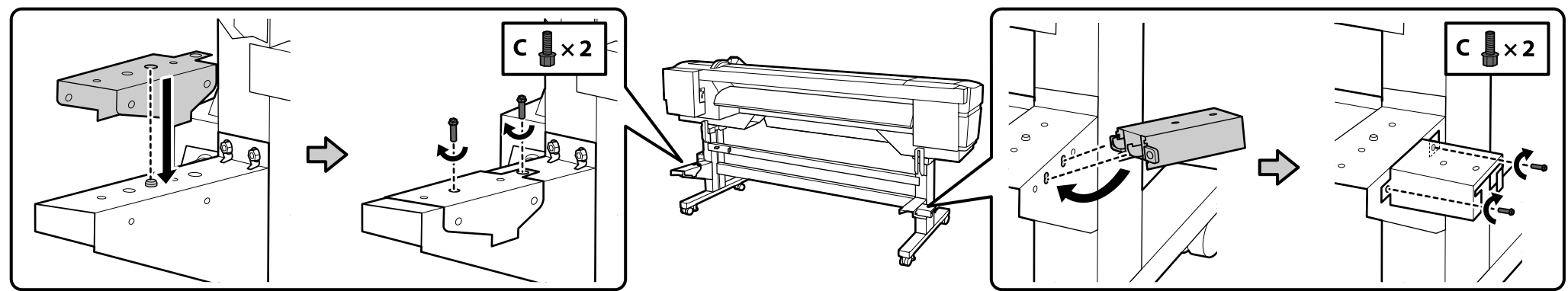
材料進紙單元



For details on installing the optional Heavy Roll Media System, see the “Heavy Roll Media System Setup Guide” that is included with the Heavy Roll Media System.

關於如何安裝選購高磅捲筒進紙系統的詳細說明，請查看高磅捲筒進紙系統內附的“高磅捲筒進紙系統安裝說明”。

[1]

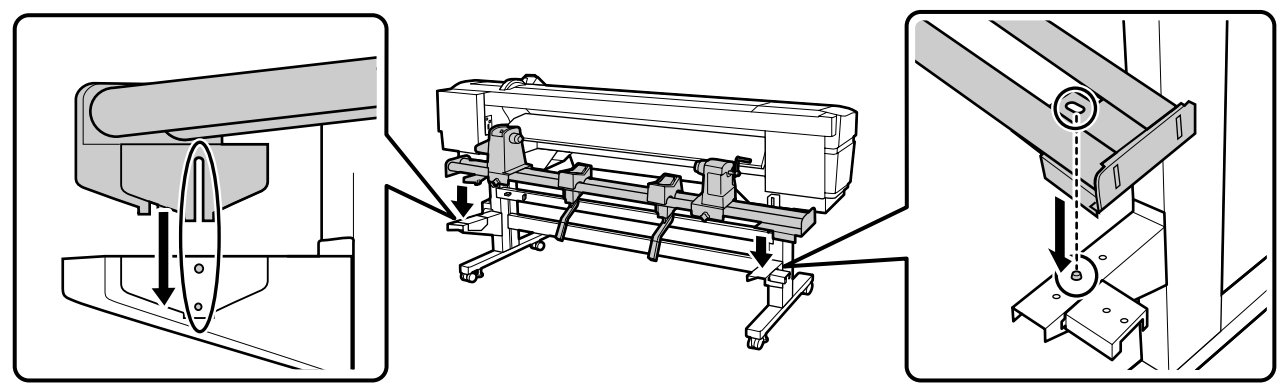
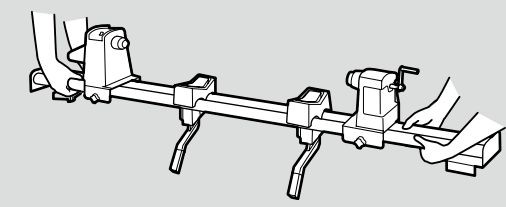


[2]

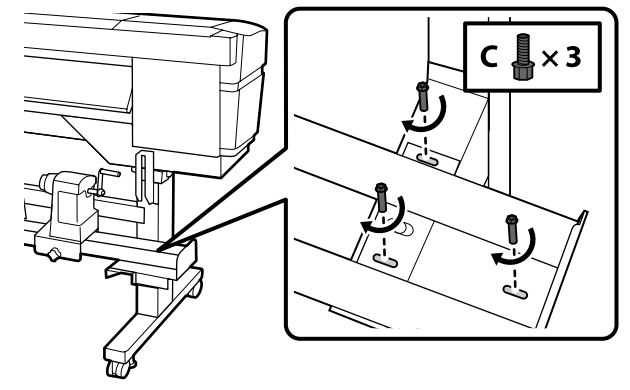
Carry the Media Feeding Unit (approx. 19.5 kg) using two persons, each holding the two bars as shown in the figure on the right.



搬運材料進紙單元（約 19.5 kg）需要兩人，請如右圖所示，各自緊握兩根長桿。



[3]

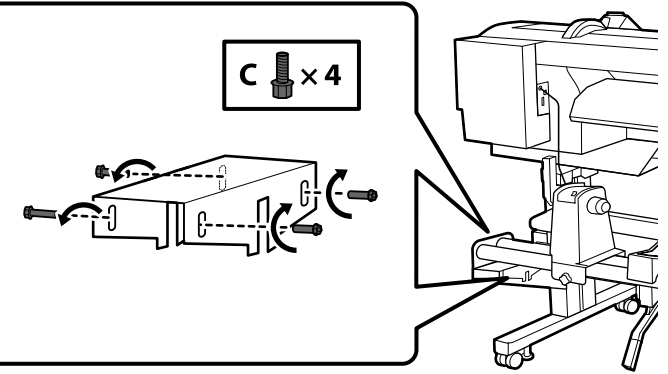


[4]

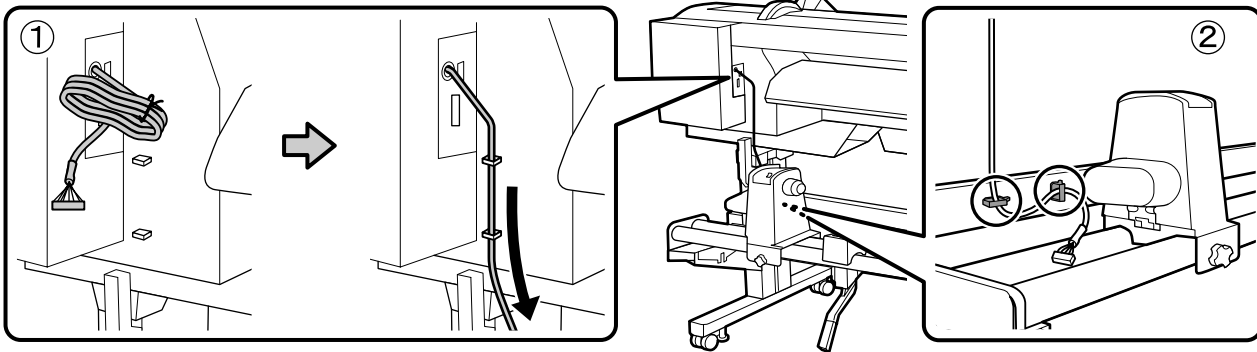


Keep the four screws in the figure on the right provisionally tightened until parallel adjustment is completed.

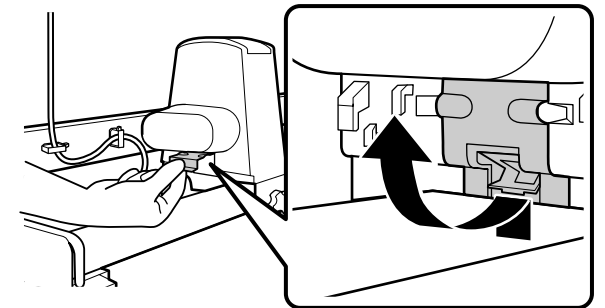
將右圖中的 4 個螺絲暫時旋轉直至完成平行調整。



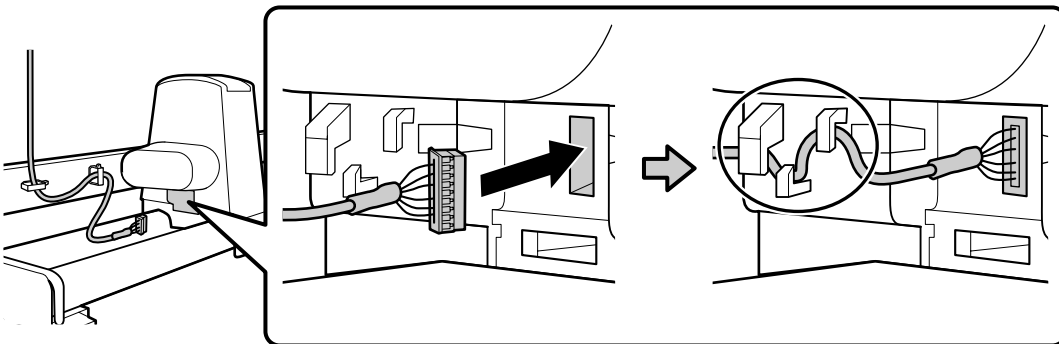
[5]



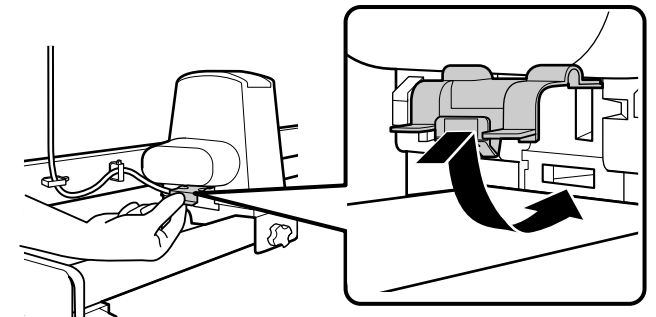
[6]




[7]

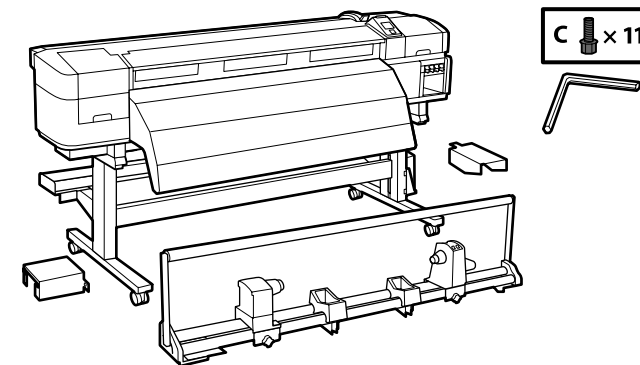


[8]

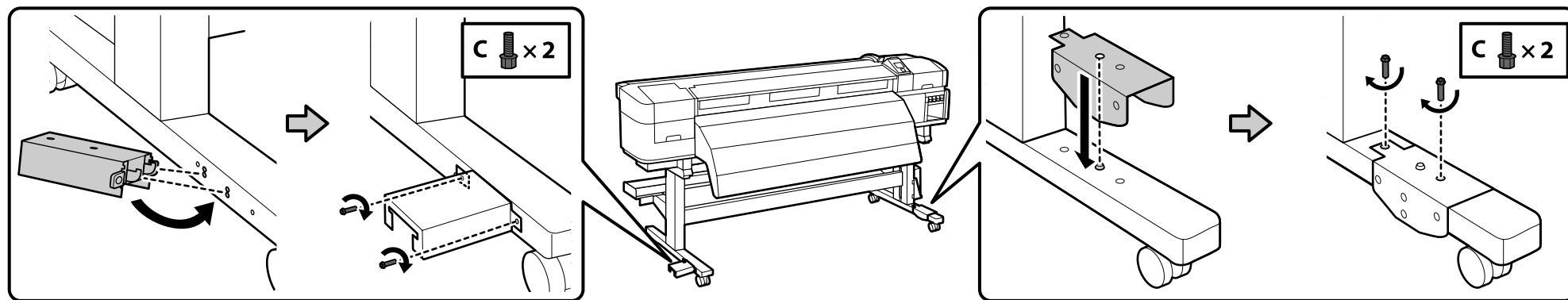



 If you will not be using the optional Auto Take-up Reel Unit, proceed to Step 6 on page 20.
 若您不使用選購自動收紙單元，請執行第 20 頁中的步驟 6。


Auto Take-up Reel Unit 自動收紙單元

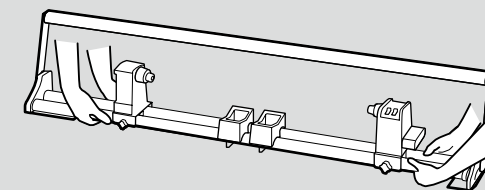


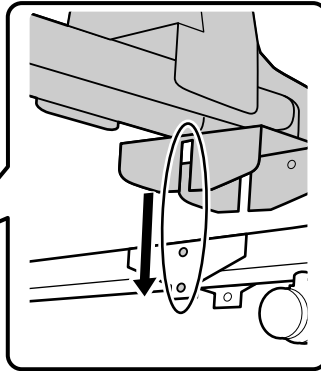
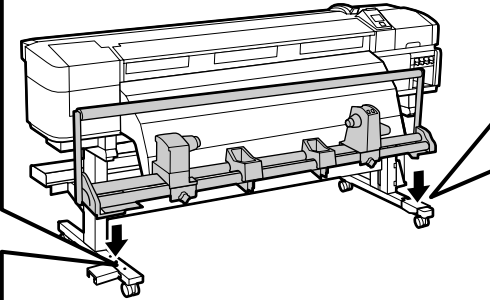
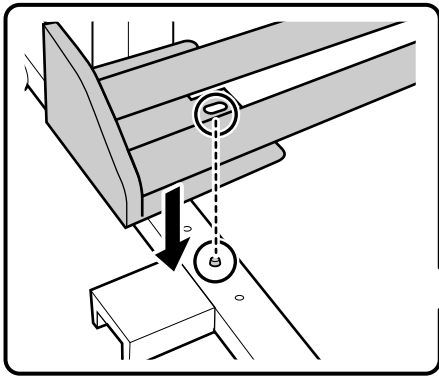
[1]



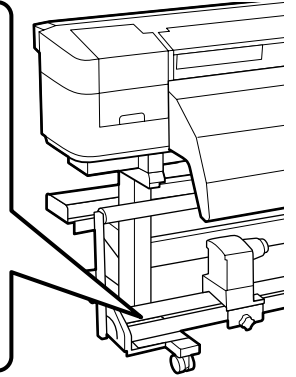
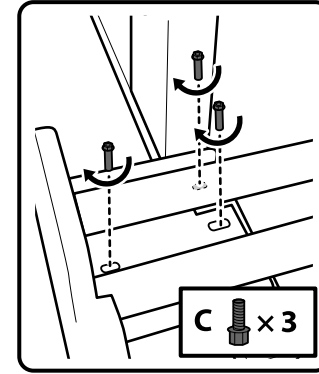
[2]


 Carry the Auto Take-up Reel Unit (approx. 21.5 kg) using two persons, each holding the two bars as shown in the figure on the right.
 搬運自動收紙單元（約 21.5 kg）需要兩人，請如右圖所示，各自緊握兩根長桿。

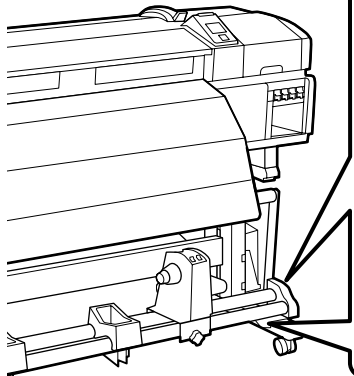




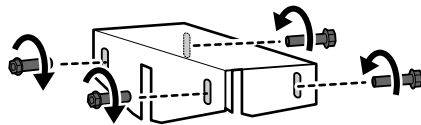
[3]



[4]



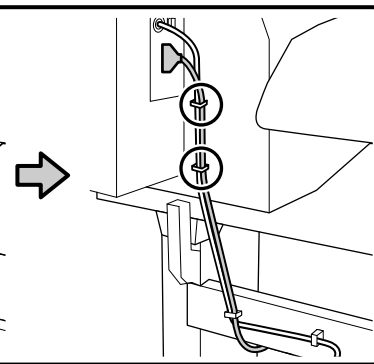
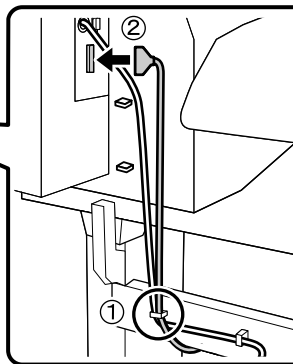
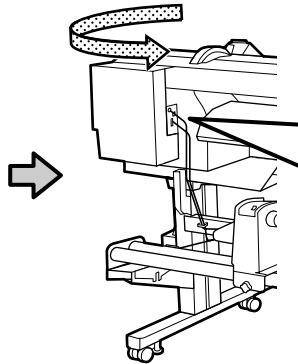
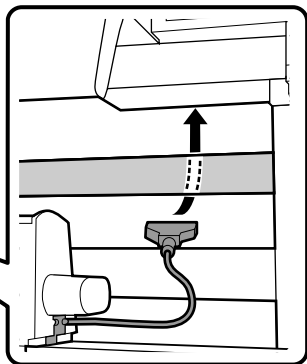
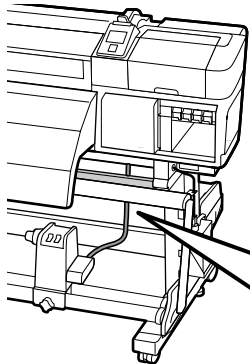
C x 4

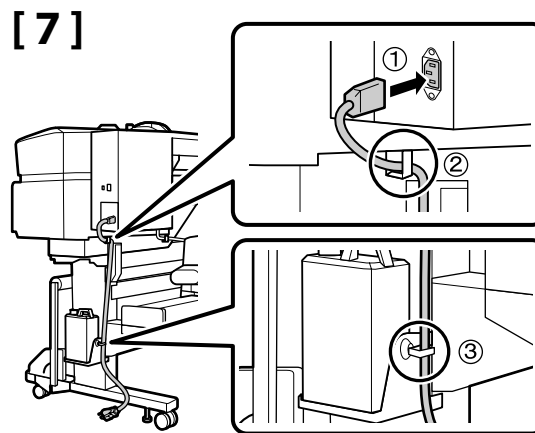
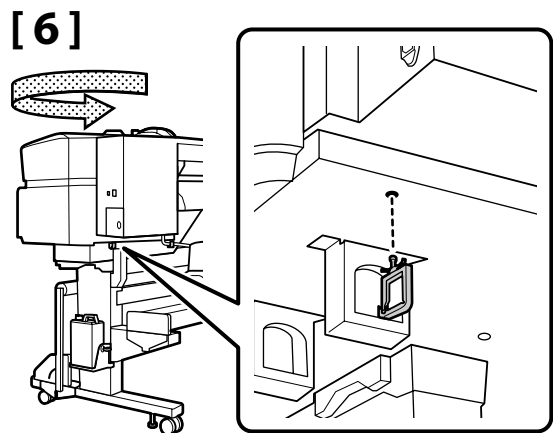


Keep the four screws in the figure on the left provisionally tightened until parallel adjustment is completed.

將左圖中的 4 個螺絲暫時旋緊直至完成平行調整。

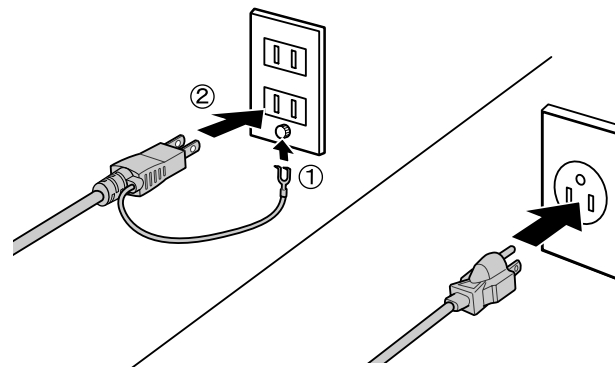
[5]





[8]

| | |
|--------------------------|--|
| <p>⚠ Caution:</p> | <p>Use only the type of power source indicated on the printer's label.</p> |
| <p>⚠ 注意：</p> | <p>只使用此印表機標籤上所標示的電源類型。</p> |



Contact a service engineer to attach the “Epson Genuine Ink Supply System” and “Ink Supply System Cover 1” and adjust the printer. Do not turn the printer on until the service engineer’s work is complete.

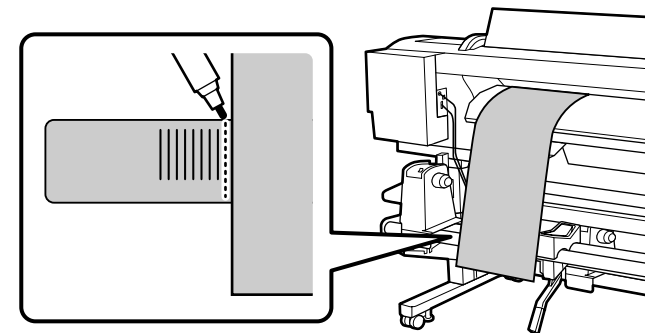


Attempting to perform these tasks yourself could result in product malfunction or damage to the product and will void the product warranty.

若要安裝 “Epson Genuine Ink Supply System” 和 “Ink Supply System Cover 1” 並調整印表機，請洽詢維修工程師。維修工程師未完成工作之前，請勿開啓印表機電源。試圖自行操作這些工作而導致產品故障或損壞，將不提供產品保固服務。

Before loading the media, mark the loading position on the left end of the media using the procedure below. Loading the media without aligning the left end position may result in feeding that is not straight.

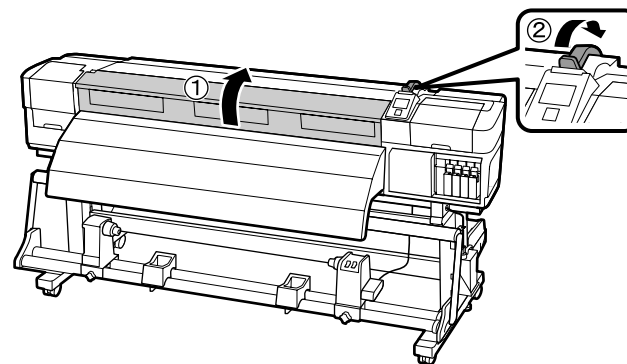
裝入材料之前，請按以下步驟在材料的左側標記裝入位置。
裝入材料時若未對齊材料位置，將可能導致進紙不平整。



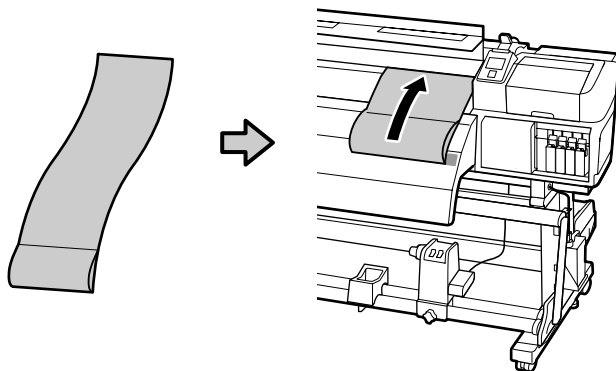
Marking the Media Load Position

標記材料的裝入位置

[1]



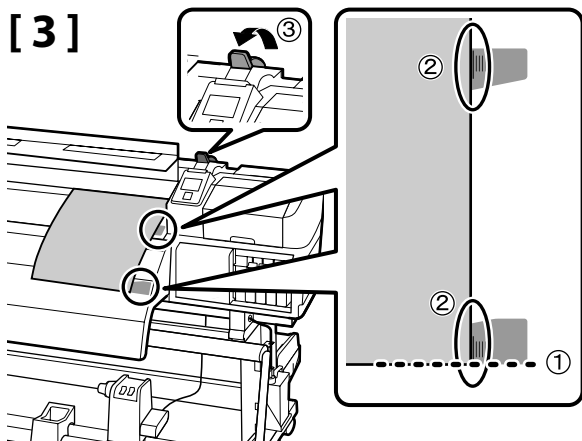
[2]



Position the rolled side of the adjustment paper at the bottom, and insert it into the printer from the top end.

將調整用紙的滾動面朝下放置，並將其從頂端插入印表機。

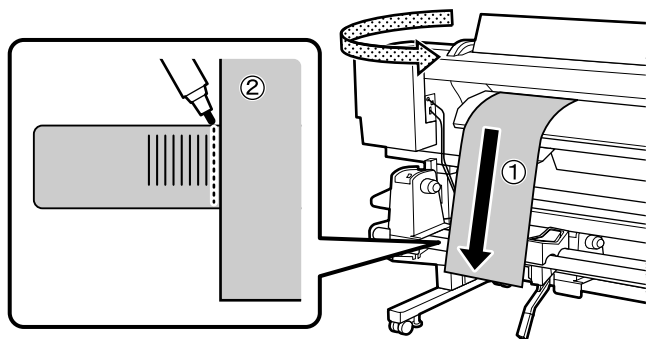
[3]



Align the bottom end of the adjustment paper with the bottom end of the lower label on the eject guide.
Align the right end with the longest scale marks on both labels, which are positioned in the middle of the labels.
After aligning the positions, lower the media loading lever down.

將調整用紙的底端與出紙導板上的下方標籤底端對齊。
將右端與兩個標籤上正中間最長的刻度線對齊。
位置對齊後，向下移動材料設定調整桿。

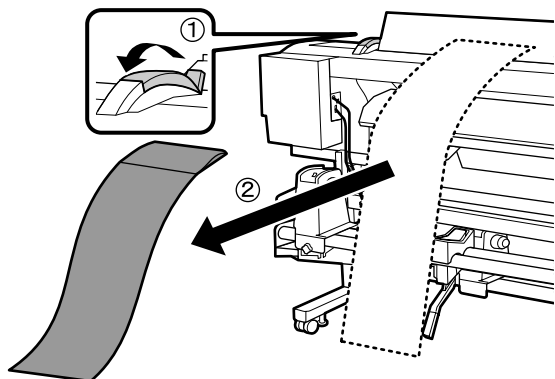
[4]



At the rear side of the printer, pull the adjustment paper straight down, and place it over the label on the front bar of the feeding unit.
Use a marker such as an oil-based pen to mark the left end position of the adjustment paper on the label.



在印表機背面，將調整用紙筆直下拉，然後將其置於材料進紙單元上靠您這邊長桿的標籤上。
使用油性筆等記號，標示調整用紙的左側位置。

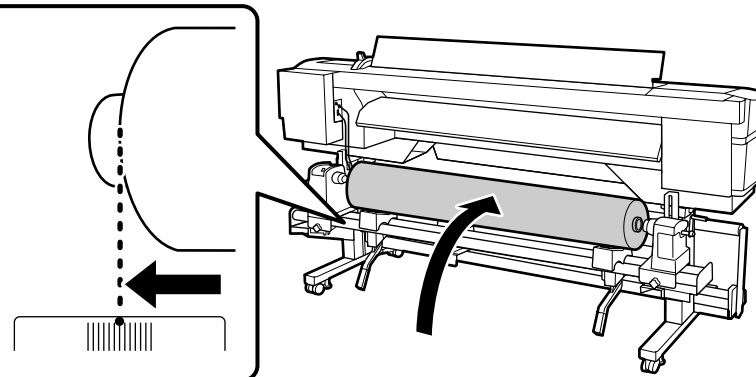
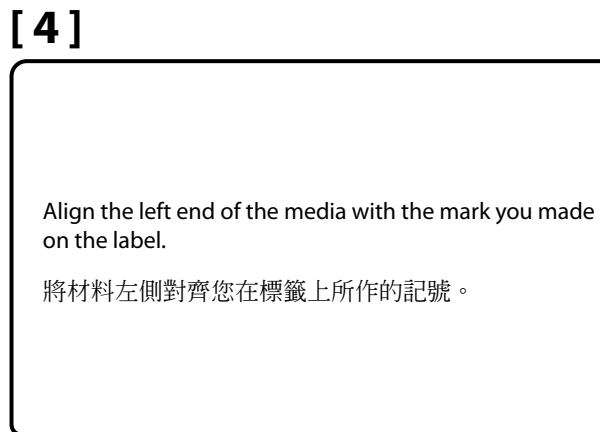
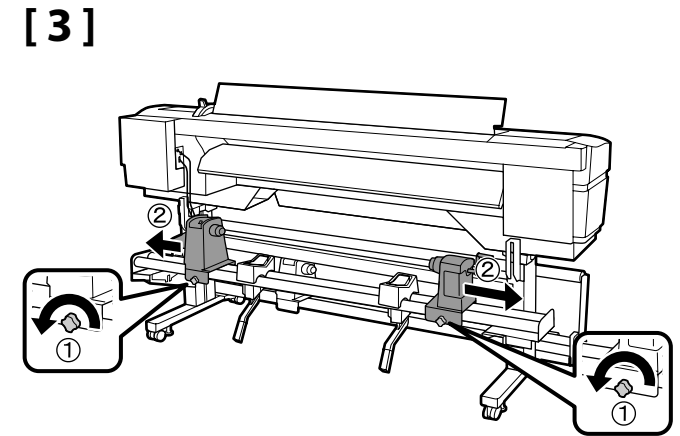
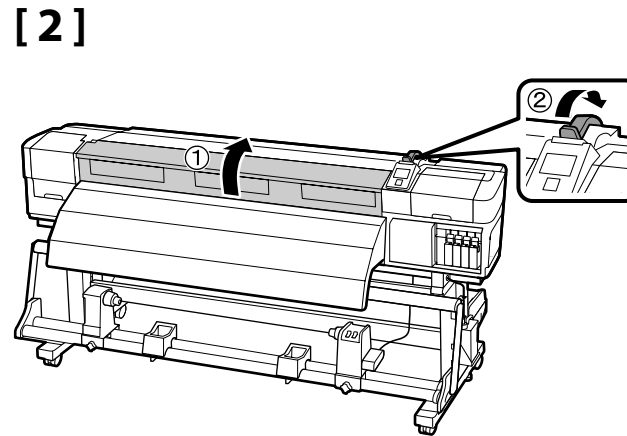
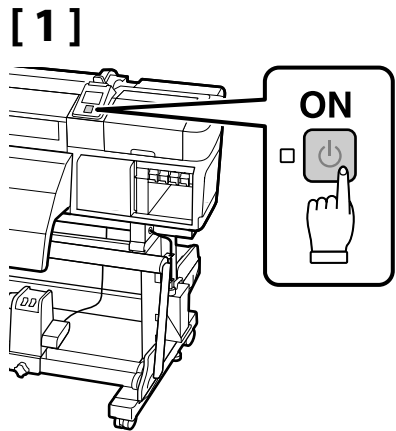
[5]



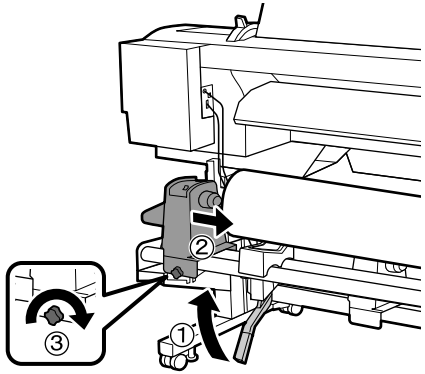
Loading Media

裝入材料

| | |
|---|---|
|  Caution: | Because the media is heavy, it should not be carried by one person. |
|  注意： | 由於材料很重，請不要獨自一人搬動。 |



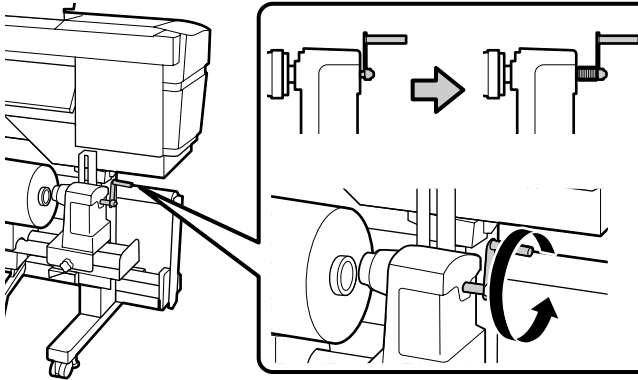
[5]



If the roll of media has the outer diameter which is less than 140mm, lift it up by your hands, and set it to the roll holder.

若材料滾筒的外徑小於 140 mm，請用手將其抬起並裝入滾筒支撐架。

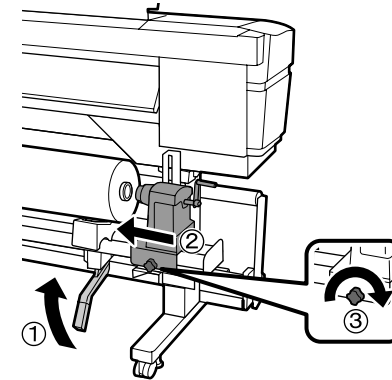
[6]



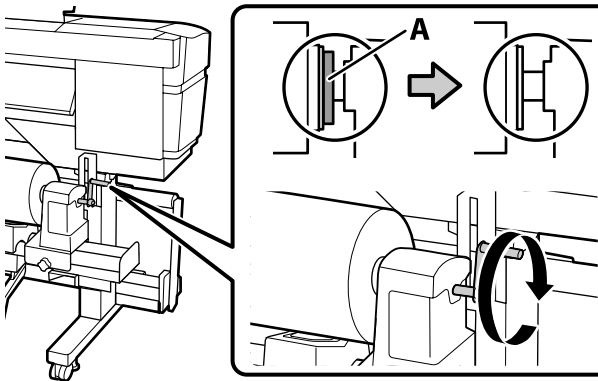
If the handle shaft of the right side roll holder is pressed in, turn it to the front until the handle can no longer be turned.

若右側滾筒支撐架的把手軸被壓入，請將其往您的方向旋轉直至把手無法再轉動。

[7]



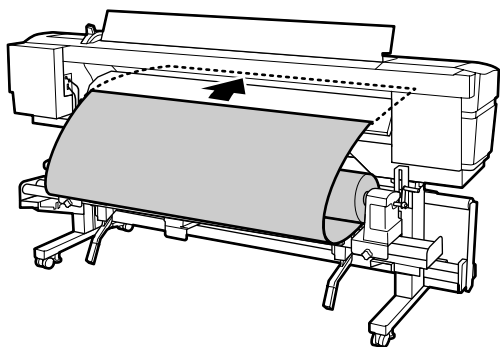
[8]



Turn the handle until part A in the upper left figure is hidden. Once part A is hidden, do not turn the handle any further.

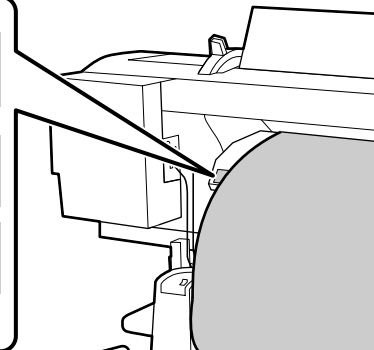
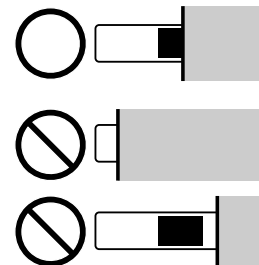
轉動把手直到左上圖中上的 A 部位隱藏起來。
一旦 A 部位被隱藏，請不要再繼續轉動把手。

[9]

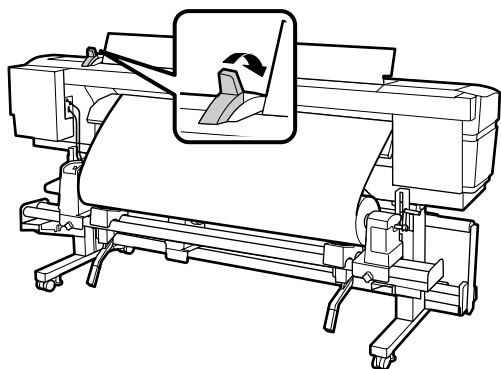


If the left end of the media is not at the center of the rectangular area as shown in the figure on the right, return to step [2].

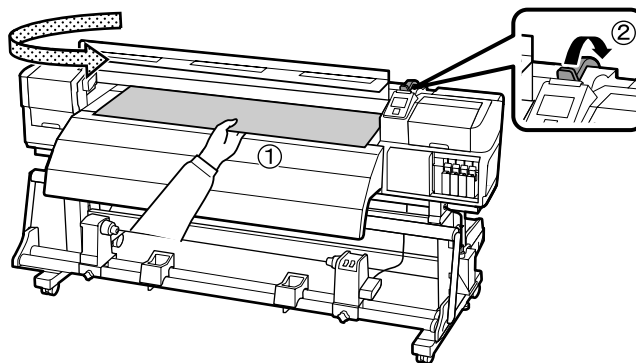
若材料的左側未如右圖所示置於長方形區域的中間位置，請返回步驟 [2]。



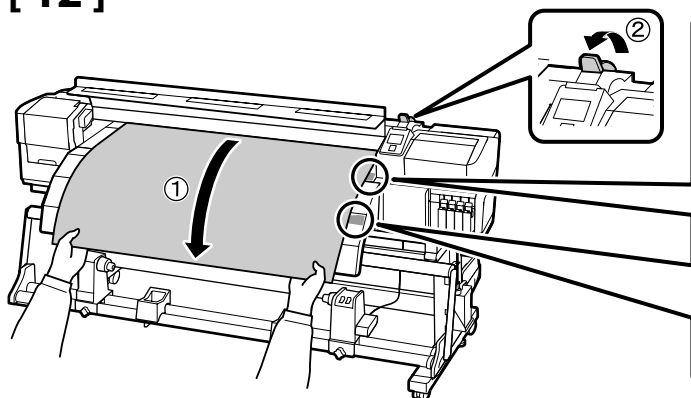
[10]



[11]

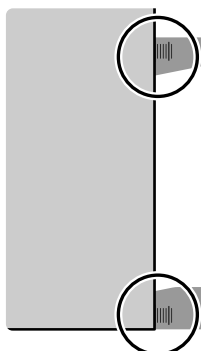


[12]



Pull out the media until the right end is paralleled with the scale marks on the two labels.

向外拉動材料，直至右側與兩個標籤上的刻度線平行。



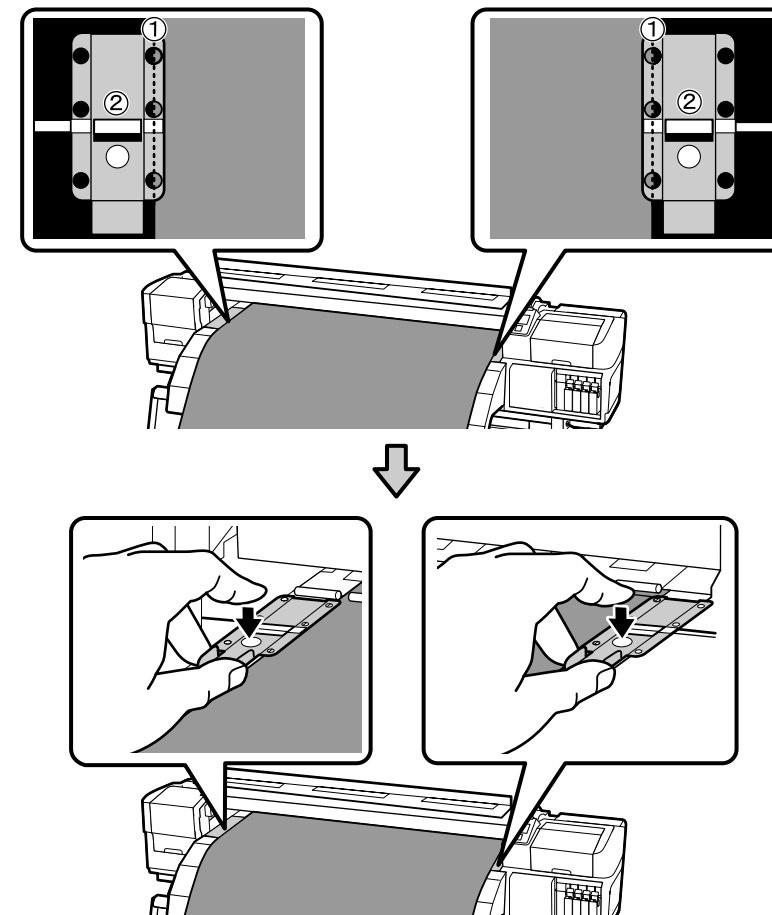
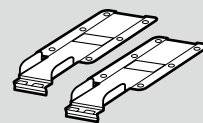
[13]

As shown in the figure on the right, install the media holding plates while aligning their positions.

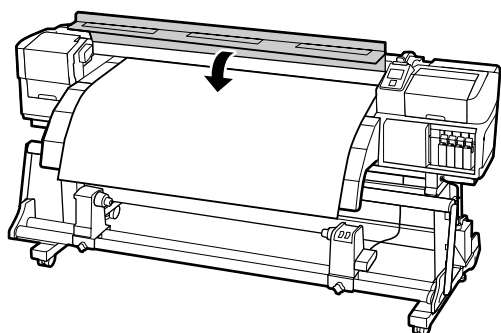
- (1) Ends of media are visible through three holes.
- (2) White lines on the platen are visible through windows.

如右圖所示，安裝材料支撐板，注意對齊它們的位置。

- (1) 從 3 個小孔中可以看到材料的兩側。
- (2) 從方孔可以看到壓盤上的白線。



[14]



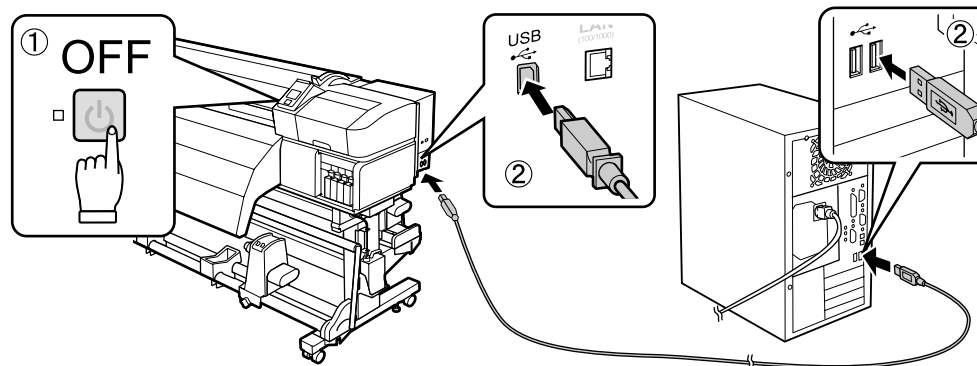
[15]

After loading the media, you will be prompted to choose Remaining Setup and Select Media options. Choose options as required.
裝入紙張後，您將被提示選擇 Remaining Setup 和 Select Media 選項。請根據需要選擇選項。

USB ➔ [1]

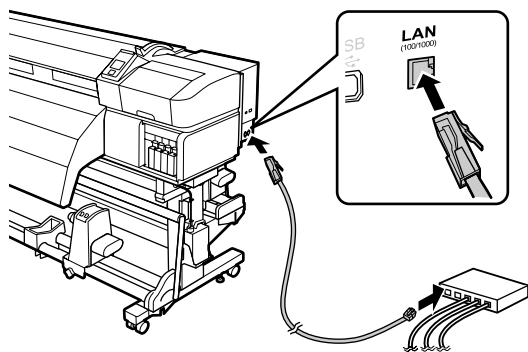
Network ➔ [2]

[1]

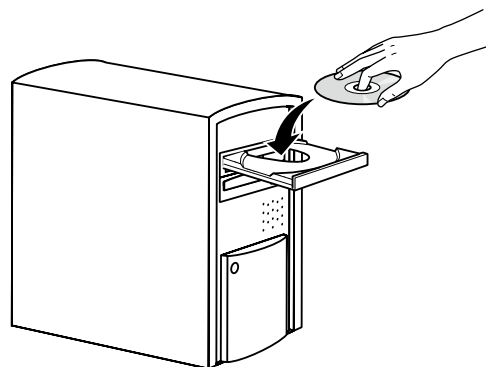


➔ [3]

[2]



[3]



[4]



Follow the on-screen instructions to complete the installation.

請依照螢幕上的操作說明，完成安裝步驟。

Network

✓



Do not remove the check mark from **Epson Network Utilities** in the **Software List**.



請勿去除軟體列表中“Epson 網路工具程式”的勾選標記。

✓



If this dialog box appears, make sure the publisher is SEIKO EPSON, and then click **Unblock**.



若出現如上圖所示的對話框時，請確認發行者為“SEIKO EPSON”，然後按下『解除封鎖』鍵。

! In a network connection, continue by setting a password for protecting the network settings.
 連接網路時，請設定一個密碼以保護網路設定。

Setting a Password (Networks Only)

設定密碼（只限於網路）

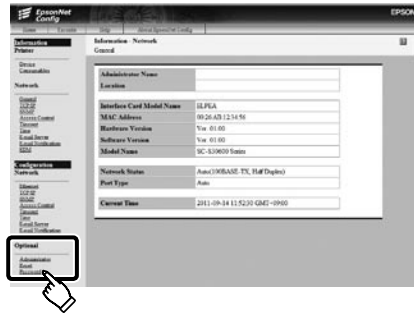
[1]



Open your Web browser, and enter the IP address of the printer in the address bar.

開啓網頁瀏覽器，然後在網址列中輸入印表機的 IP 位址。

[2]

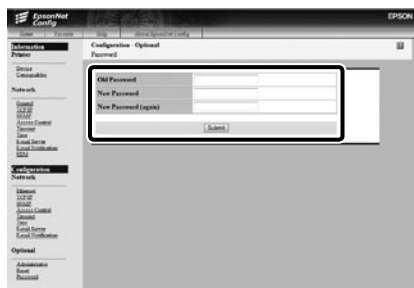


In **Optional**, click **Password**.



在“**Optional**”中按下“**Password**”。

[3]




Set your desired password and then close the Web browser.

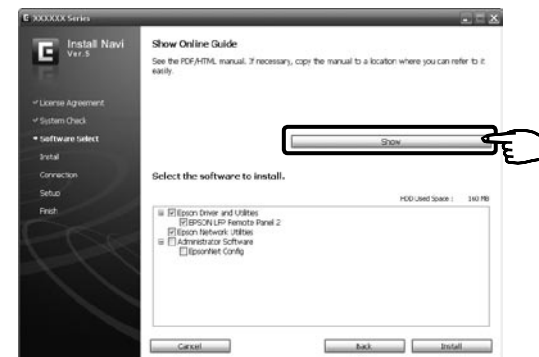


設定您想要的密碼，然後關閉網頁瀏覽器。

Supplied Online Guides


The following online guides are included on the supplied software CD. To view the guides, click **Show** in the software CD main menu. The guides can be copied onto your computer desktop for ease of reference.

| | |
|--|----------------------|
|  | User's Guide |
| | Network Guide |



內附線上手冊

下列線上手冊包含在內附的軟體光碟中。若要查看手冊，請按下軟體光碟主選單中的“顯示”。為便於參考，您可將線上手冊複製到電腦的桌面上。

| | |
|--|---------------|
|  | 進階使用說明 |
| | 網路使用說明 |



商品名稱

產品名稱：大圖輸出機

製造年份，製造號碼和生產國別：見機體標示

電力規格

額定電壓： AC100-240V

額定頻率： 50-60Hz

耗電量（操作時）： 約 65W

額定電流： 1.0 至 0.5A

警語 檢修本產品之前，請先拔掉本產品的電源線。

相容性 適用系統：根據 RIP 的規格而定

使用方法

見內附相關說明文件

緊急處理方法

發生下列狀況時，請先拔下印表機的電源線並洽詢 Epson 授權服務中心：

- 電源線或插頭損壞
- 有液體噴灑到印表機
- 印表機摔落或機殼損壞
- 印表機無法正常操作或是列印品質與原來有明顯落差

注意事項 只能使用印表機標籤上所註明的電源規格。

製造商：SEIKO EPSON CORPORATION

地址：80 Harashinden, Hirooka, Shiojiri-shi, Nagano-ken, 399-0785, JAPAN

電話：81-263-52-2552

進口商：台灣愛普生科技股份有限公司

地址：台北市信義區松仁路 7 號 14 樓

電話：(02) 8786-6688 (代表號)



廢電池請回收



412437900

© 2012 Seiko Epson Corporation. All rights reserved.
Printed in XXXXXX
YYYYYYYYYYYY