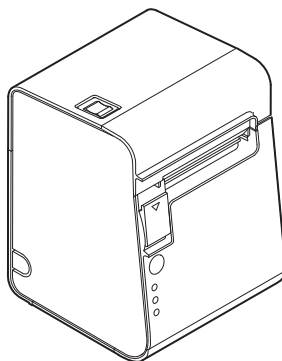


TM-L90

User's Manual / 使用説明書



412515600

English

TM-L90

User's Manual

Restriction of Use

When this product is used for applications requiring high reliability/safety, such as transportation devices related to aviation, rail, marine, automotive, etc.; disaster prevention devices; various safety devices, etc.; or functional/precision devices, etc.; you should use this product only after giving consideration to including fail-safes and redundancies into your design to maintain safety and total system reliability. Because this product was not intended for use in applications requiring extremely high reliability/safety, such as aerospace equipment, main communication equipment, nuclear power control equipment, or medical equipment related to direct medical care, etc., please make your own judgment on this product's suitability after a full evaluation.

Caution

All rights reserved. No part of this publication may be reproduced, stored in a retrieval system, or transmitted in any form or by any means, electronic, mechanical, photocopying, recording, or otherwise, without the prior written permission of Seiko Epson Corporation. No patent liability is assumed with respect to the use of the information contained herein. While every precaution has been taken in the preparation of this book, Seiko Epson Corporation assumes no responsibility for errors or omissions. Neither is any liability assumed for damages resulting from the use of the information contained herein.

Neither Seiko Epson Corporation nor its affiliates shall be liable to the purchaser of this product or third parties for damages, losses, costs, or expenses incurred by purchaser or third parties as a result of: accident, misuse, or abuse of this product or unauthorized modifications, repairs, or alterations to this product, or (excluding the U.S.) failure to strictly comply with Seiko Epson Corporation's operating and maintenance instructions.

Seiko Epson Corporation shall not be liable against any damages or problems arising from the use of any options or any consumable products other than those designated as Original Epson Products or Epson Approved Products by Seiko Epson Corporation.

EPSON is a registered trademark of Seiko Epson Corporation in Japan and other countries/regions.

NOTICE: The contents of this manual are subject to change without notice.

Copyright © 2013 by Seiko Epson Corporation

Important Safety Information

This section contains important information intended to ensure safe and effective use of this product. Please read this section carefully and store it in an accessible location.

Key to Symbols

The symbols in this manual are identified by their level of importance, as defined below. Read the following carefully before handling the product.



WARNING:

Warnings must be observed carefully to avoid serious bodily injury.



CAUTION:

Cautions must be observed to avoid minor injury to yourself, damage to your equipment, or loss of data.

Safety Precautions



WARNING:

Shut down your equipment immediately if it produces smoke, a strange odor, or unusual noise. Continued use may lead to fire. Immediately unplug the equipment and contact your dealer or a Seiko Epson service center for advice.

Never attempt to repair this product yourself. Improper repair work can be dangerous.

Never disassemble or modify this product. Tampering with this product may result in injury or fire.

Be sure to use the specified power source. Connection to an improper power source may cause fire.

Do not allow foreign matter to fall into the equipment. Penetration by foreign objects may lead to fire.

If water or other liquid spills into this equipment, unplug the power cord immediately, and then contact your dealer or a Seiko Epson service center for advice. Continued usage may lead to fire.

Do not use aerosol sprayers containing flammable gas inside or around this product. Doing so may cause fire.

Do not connect a telephone line or a drawer cable to the connector for the buzzer cable; otherwise, the printer and the telephone line may be damaged.



CAUTION:

Do not connect cables in ways other than those mentioned in this manual. Different connections may cause equipment damage and burning.

Be sure to set this equipment on a firm, stable, horizontal surface. The product may break or cause injury if it falls.

Do not use in locations subject to high humidity or dust levels. Excessive humidity and dust may cause equipment damage or fire.

Do not place heavy objects on top of this product. Never stand or lean on this product. Equipment may fall or collapse, causing breakage and possible injury.

Take care not to injure your fingers on the manual cutter

- *When you remove printed paper*
- *When you perform other operations such as loading/replacing roll paper*

To ensure safety, unplug this product before leaving it unused for an extended period.

Caution Labels

The caution labels on the product indicate the following precautions.



CAUTION:

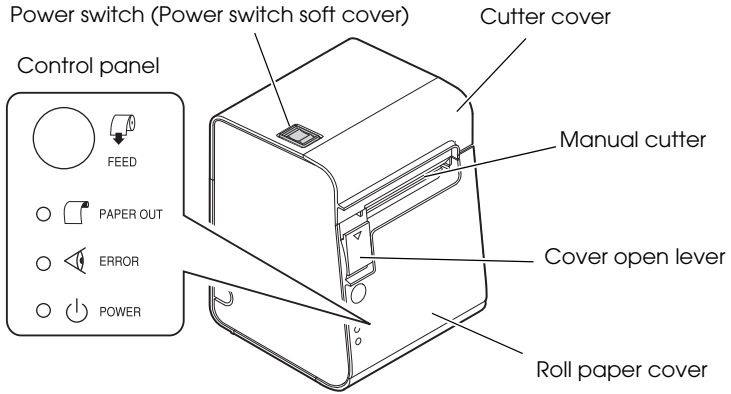
The thermal head can be very hot during printing and immediately after printing. Touching it may cause burns.

Unpacking

Check whether the following items are included. If any items are damaged, contact your dealer.

- Printer
- Power switch cover
- User's Manual (this manual)

Printer Parts



Control Panel

POWER LED

Lights when the power is on, and is off when the power is off.

ERROR LED

Off when the printer is online, lights when the printer is offline, and flashes when an error occurs.

PAPER OUT LED

Lights when roll paper is out.

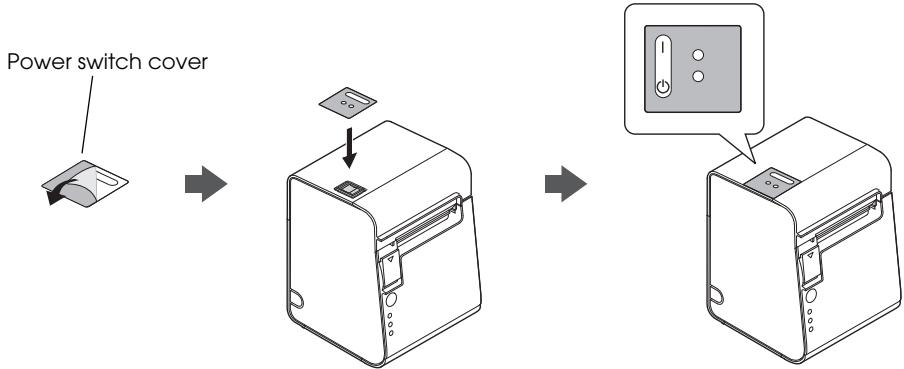
FEED button

Connect the printer to a power source while pressing this button starts a self-test. (See "Running a Self-test" on page 18.)

Attaching Cover on the Power Switch

The enclosed power switch cover ensures that the power switch is not pressed accidentally.

You can turn the power switch on and off by inserting a pointed object such as a ballpoint pen in the holes in the power switch cover.



WARNING:

If an accident occurs with the power switch cover attached, unplug the power cord immediately. Continued use may cause fire or shock.

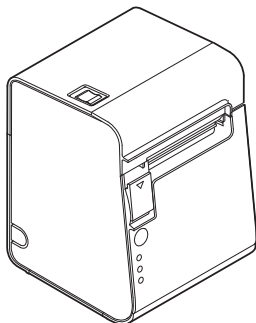


CAUTION:

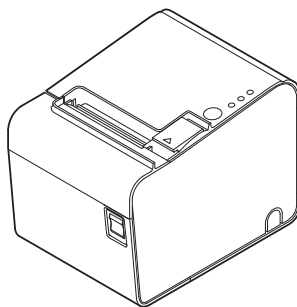
Do not remove the power switch soft cover.

Installing the Printer Vertically or Horizontally

You can install the printer vertically (with the paper exit at the front) or horizontally (with the paper exit on top).



Vertical installation

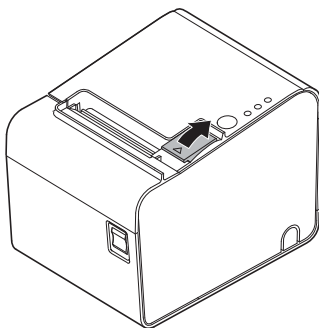


Horizontal installation

Adjusting the Roll Paper Near-end Sensor

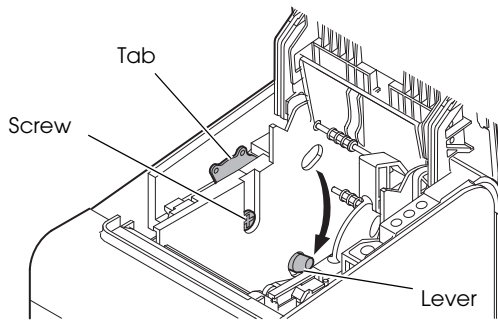
To install the printer horizontally, follow the steps below to adjust the position of the roll paper near-end sensor.

1. Open the roll paper cover using the cover open lever.



2. Loosen the screw with a coin or similar tool, and turn it at least 3 or 4 times.
3. While pushing the lever into the holes, turn the tab until the lever is set in the position shown in the illustration below.

4. Tighten the screw and make sure the lever moves smoothly.



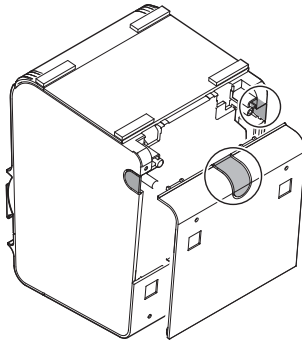
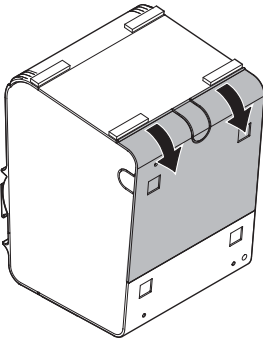
Connecting Cables



CAUTION:

When LAN cables are installed outdoors, make sure devices without proper surge protection are cushioned by being connected through devices that do have surge protection. Otherwise, the devices can be damaged by lightning.

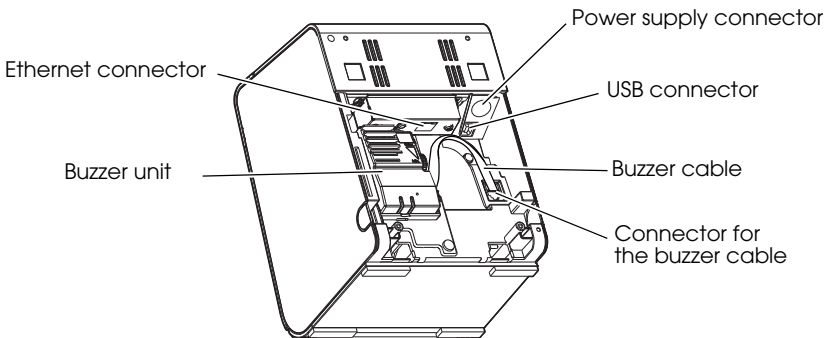
1. Place the printer as shown in the illustration below.
2. Pull the cover on the printer bottom in the direction of the arrow in the lower left illustration to remove the cover.
3. Break off by hand any of the three portions indicated by circles in the lower right illustration to pass the cables through.



4. Connect the cables to the printer.
For the position of each connector, see the illustration below.

Note:

Do not remove the buzzer cable from the connector. The printer does not operate with the buzzer cable disconnected.



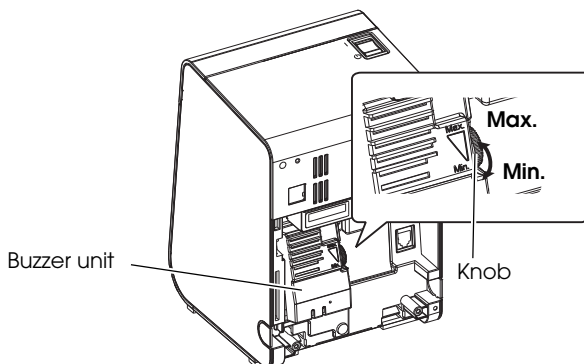
5. Connect the printer to the host computer and the power source.
6. When installing the printer for the first time, see "Adjusting the Buzzer Volume" on page 11 before attaching the cover.

Adjusting the Buzzer Volume

Note:

If you want to disable the buzzer or change the buzzer pattern, set the Memory switches using the memory switch utility.

1. Remove the cover on the printer bottom, and place the printer as shown in the illustration below.
2. Make sure the roll paper is not installed and the roll paper cover is closed, and the printer power is on.
3. While hearing the buzzer for a paper out error, adjust the buzzer volume by turning the knob on the buzzer unit.

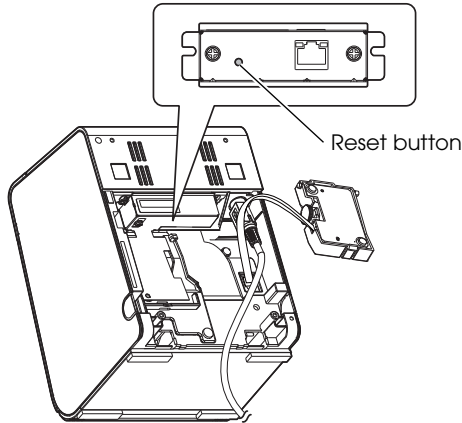


4. Install the roll paper. (See "Installing or Replacing the Roll Paper" on page 14.)
5. Attach the cover on the rear side of the printer.

Using the Reset Button

The reset button has ability to print the interface settings and initialize the interface setting.

When using it, remove the buzzer unit.



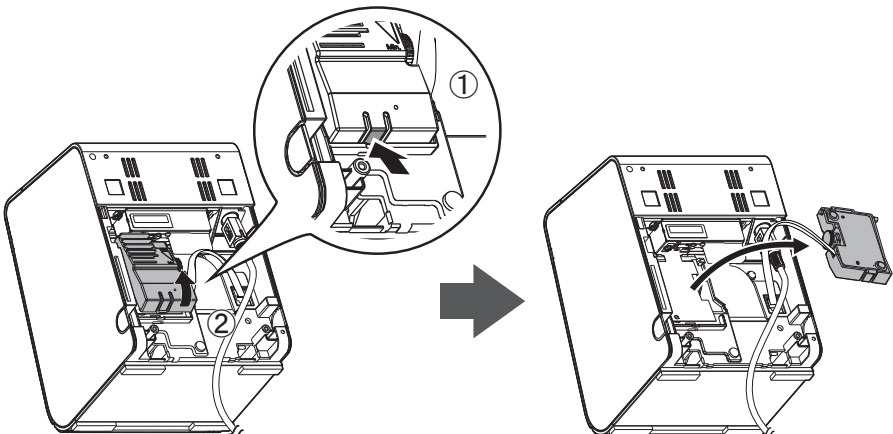
Removing and Installing the Buzzer Unit

Removing and installing the buzzer unit as shown the illustration.

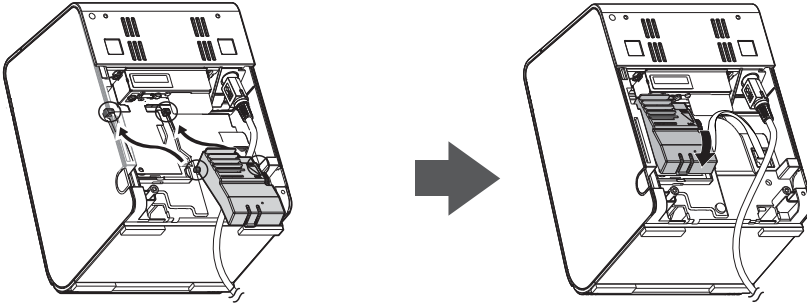
Note:

Do not remove the buzzer cable from the connector. The printer does not operate with the buzzer cable disconnected.

<Removing>



<Installing>



Printing the Interface Settings

1. Turn off the printer and check to see that the roll paper is installed.
2. Keep the buzzer cable connected and remove the buzzer unit.
3. Turn on the printer.
4. Press the reset button.
The printer prints the interface settings.

Initialization of the Interface Setting

1. Turn off the printer.
2. Keep the buzzer cable connected and remove the buzzer unit.
3. Press and hold the reset button; then power on the printer.
4. The interface settings are initialized.

Installing or Replacing the Roll Paper



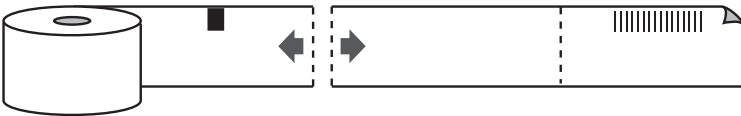
CAUTION:

Be sure to use specified roll paper. Otherwise the printer goes into an error status.

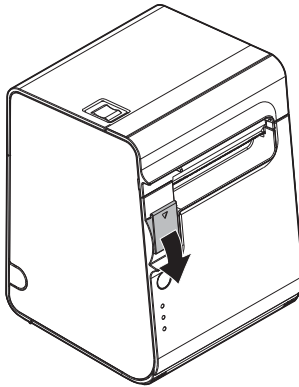
When you load a new roll paper and when you load a used roll paper, the time to turn on the printer is different. Follow the steps below.

Loading a New Roll Paper

1. Power off the printer.
2. To use a brand-new roll paper, tear it off along the second perforation from the edge of the roll paper, as shown in the illustration below.

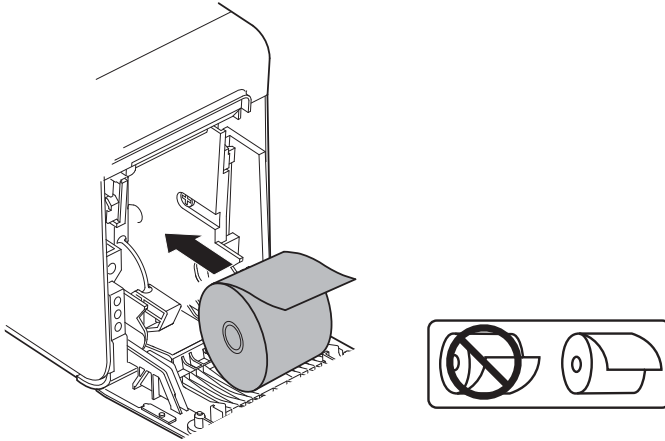


3. Open the roll paper cover using the cover open lever.

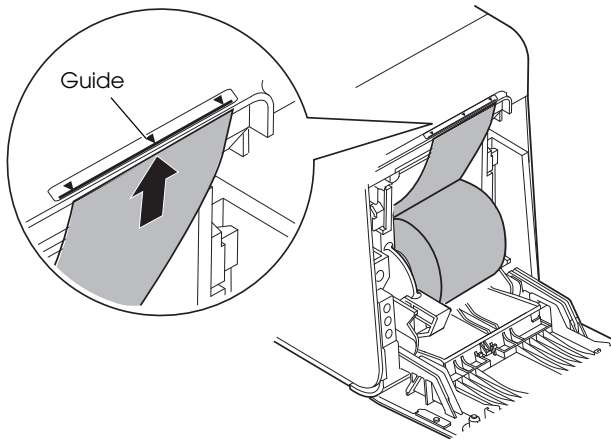


4. Remove the used roll paper core if there is one.
5. Turn on the printer.

6. Insert a roll of paper in the correct direction.



7. Pull out the paper edge, aligning it with the guide on the cutter cover, and close the roll paper cover. The paper will feed and cut automatically.



Note:

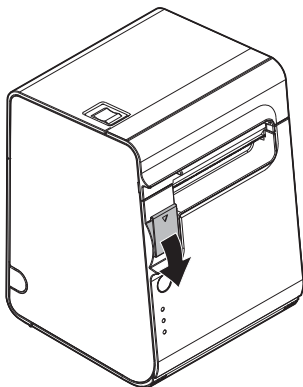
Do not reinstall the roll paper or open/close the roll paper cover unnecessarily.

Be sure to close the roll paper cover completely by pushing on the middle of the cover.

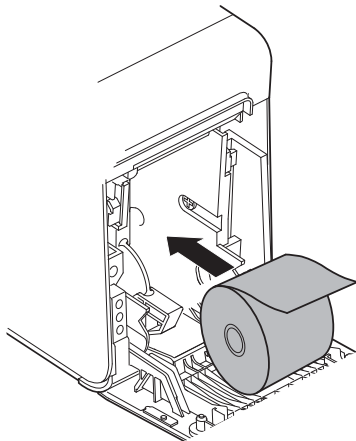
When the printer cannot detect the black mark on the roll paper correctly, the printer goes into an error status. In such case, reinstall the roll paper correctly.

Loading a Used Roll Paper

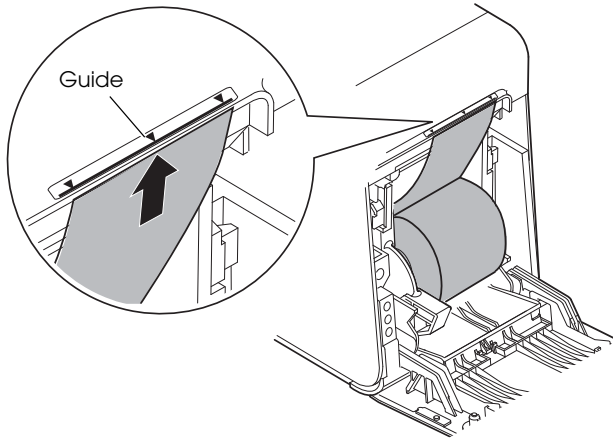
1. Power off the printer.
2. Make sure the used roll paper is cut at the right position.
3. Open the roll paper cover using the cover open lever.



4. Remove the used roll paper core if there is one.
5. Insert a roll of paper in the correct direction.



- Pull out the paper edge, aligning it with the guide on the cutter cover, and close the roll paper cover.



- Turn on the printer.
The paper will feed automatically.

Note:

Do not reinstall the roll paper or open/close the roll paper cover unnecessarily.

Be sure to close the roll paper cover completely by pushing on the middle of the cover.

When the printer cannot detect the black mark on the roll paper correctly, the printer goes into an error status. In such case, reinstall the roll paper correctly.

Cleaning

Cleaning the Printer Case

When cleaning the printer case, power off the printer, and wipe the dirt off the printer case with a dry or damp cloth.



CAUTION:

Never clean the product with alcohol, benzine, thinner, or other such solvents. Doing so may damage or break the parts made of plastic and rubber.

Cleaning the Thermal Head

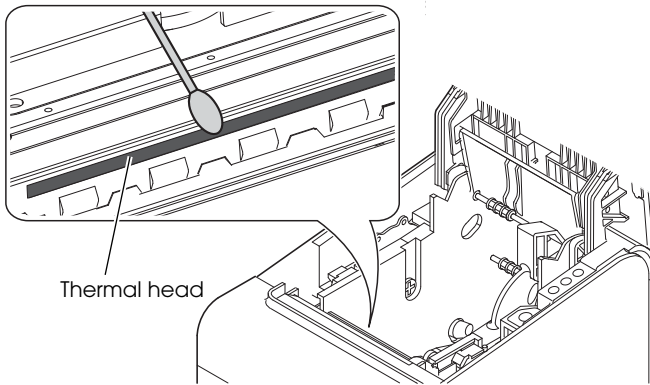


CAUTION:

After printing, the thermal head can be very hot. Be careful not to touch it and to let it cool before you clean it. Do not damage the thermal head by touching it with your fingers or any hard object.

Power off the printer, open the roll paper cover, and clean the thermal elements of the thermal head with a cotton swab moistened with an alcohol solvent (ethanol or IPA).

Epson recommends cleaning the thermal head periodically (generally every 3 months) to maintain receipt print quality.



Running a Self-test

In self-test mode the printer will perform a series of internal diagnostics, and then provide a listing of printer settings. Having a printed self-test in hand when calling for technical support can help speed the troubleshooting process.

Use the following procedure to start a self-test.

1. Make sure there is a roll paper loaded into the printer.
2. Power off the printer.
3. Press and hold the FEED button, then power on the printer.
4. As soon as the printer begins to print, release the FEED button. The self-test information will print, and the PAPER OUT LED will flash.
5. You can either terminate the self-test by powering the printer off and back on, or press the FEED button for an extended print test after which "*** completed ***" will print, the printer will reset and be ready for use.

Troubleshooting

Printout is faint

When printout is faint, adhesive glue or another foreign substance may be present on the thermal head. See "Cleaning the Thermal Head" on page 18 to clean the thermal head.

ERROR LED on or flashing

- ❑ Check to see that the roll paper cover is closed and check the PAPER OUT LED. Close the cover or replace the roll paper if necessary.
- ❑ If the printer has been printing a lot, the thermal head may be hot. Wait for the head to cool. Printing will resume automatically.
- ❑ Open the roll paper cover, and check to see if the paper is jammed. If a paper jam occurs or if the roll paper cover will not open, see the section below.
- ❑ Turn the printer off and back on. If the LED is still flashing, notify your manager. The printer may require servicing.

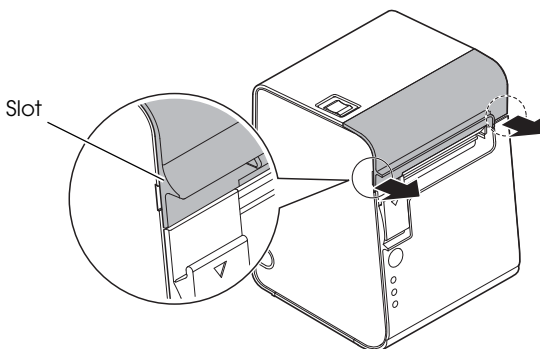
Paper jam

Power off the power and open the roll paper cover to remove the jammed paper. After that, install the roll paper correctly. If the roll paper cover will not open, see the section below.

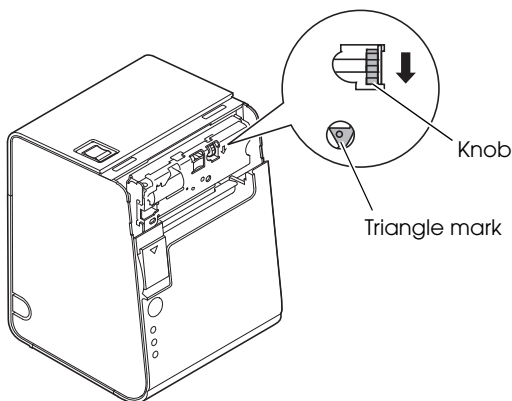
The roll paper cover will not open

Follow the steps below when the roll paper cover will not open.

1. Power off the printer.
2. Insert a tool such as a screwdriver into the slots on both sides of the printer, and lift the cover in the direction of the arrow to remove it.



- Turn the knob in the direction of the arrow, by using a ballpoint pen or tweezers, until you see a triangle mark in the opening.



TM-L90 Specifications

Print method	Thermal line printing
Dot density	203 dpi × 203 dpi (dots per 25.4 mm {1"})
Print width	55 mm, 440 dot positions
Paper dimensions	59 ± 0.5 mm
Thermal paper type	Thermal paper for Taiwan convenience store
Interface	Ethernet (10BASE-T/100BASE-TX)
Power supply*1	DC+24 V ± 7%
Current consumption	Approximately 1.8 A
Temperature	Operating: 5 to 45°C {41 to 113°F} Storage: -10 to 50°C {14 to 122°F}
Humidity	10 to 80%
Overall dimensions	148 × 140 × 203 mm (H × W × D)
Weight (mass)	Approximately 1.9 kg

dpi: dots per 25.4 mm (dots per inch)

*1: Be sure to use a safety-standards-applied power source that meets the following specifications.
Rated output: 24 V/2.0 - 10.0 A or more, Maximum output: 240 VA or less

中文（繁體）

TM-L90

使用說明書

使用限制

將本產品用於飛機、列車、船舶、汽車等的與運行直接相關的裝置、防災防盜裝置、各種安全裝置等要求機能、精度等具備高度可信性、安全性的用途時，為維持這些系統整體的可信性與安全，請採取故障自動防護設計及冗長設計等措施，在確保系統全體安全的基礎上使用本公司產品。本產品並非以使用於太空機器、幹線通信機器、原子力控制機器、醫療機器等需具備高度可信性與安全性的用途。若使用於前述用途時，請客戶充分進行確認和判斷本產品的適用性。

注意

本公司保留本文件之所有權利。若未事先獲得 Seiko Epson Corporation 之書面同意，本文件之任何部份不得複製、存放於可讀取系統或以任何形式傳送，如電子、機械、影印、錄影等。使用本手冊所含資料不須負擔專利責任。本手冊經本公司審慎編寫，但若有錯誤或遺漏時，本公司亦不予負責。因使用本手冊所含資料而產生之損壞，本公司亦不予負責。

本產品購買人或第三者因為意外事故、誤用或濫用本產品、未經授權而改裝、修理、或變更本產品、未嚴格遵守本公司操作與維護說明，因而發生損壞、損失或費用，則本公司與關係企業均不予負責。

因使用非 Epson 指定之原廠產品或本公司認可之任何選購品或耗材，而發生任何損壞或問題，本公司不予負責。

EPSON 為 Seiko Epson Corporation 在日本及其它國家或地區之註冊商標。

告誡：本說明書之內容如有更改，恕不另行通知。

版權所有 ©2013 精工愛普生公司

警告使用者：

這是甲類的機器，在家庭環境中，可能會造成射頻干擾，在這種情況下，使用者會被要求採取某些適當的對策。

如果將非屏蔽的印表機介面纜線與本印表機連接，將會使本裝置的 EMC 標準無效。

此外，未經 Seiko Epson Corporation 明確許可的更改或修改，將導致您喪失操作本設備的權限。

重要安全資訊

這一部分包含有關確保本產品的安全和有效使用的重要資訊。請仔細閱讀此部分，並將其保存在便於拿到的地方。

主要標識

本手冊中的標識，根據重要程度不同而分為以下等級。在使用產品之前，請仔細閱讀下列內容。



警告：

必須小心遵守警告事項，以免受傷。



注意：

必須小心注意事項，以免使用者自己受傷、損傷機器或資料丟失。

安全防範



警告：

如果發生冒煙、異常氣味、或者不尋常的噪音時，請立即關閉機器。繼續使用可能會引起火災。應該立即拔除電源，並與經銷商或愛普生服務中心聯繫取得處理辦法。請勿試圖自己進行印表機的維修。不正確的維修是很危險的。

請勿自行拆卸或維修。不正確的動作會引起受傷或火災。

請使用符合規格的電源。連接不正確的電源可能會導致火災。

應該避免任何異物落入印表機內，以免導致火災。

如果有水或其他液體流入印表機內部，請立即拔除電源，並且與經銷商或愛普生服務中心聯繫取得處理辦法。繼續使用可能會導致火災。

請勿在本產品的內部及周圍使用可燃性氣體的噴霧器。否則可能造成火災。

請勿將電話線或錢箱接線連接到蜂鳴器接線的插槽；否則，印表機和電話線可能會損壞。



注意：

請勿使用未在本手冊中提到的方法來連接連接線，不同連接方式可能會使印表機損壞或引起火災。

確認將印表機放置在一個固定，穩定的水平表面上。印表機如果落下則可能會破碎或損壞。

請勿在潮濕或灰塵多的地方使用印表機。過度的潮濕和過量的灰塵可能使得印表機損壞或發生火災。

請勿在印表機上放置任何重物。請勿將印表機站立或傾斜放置，這些作法可能會使印表機摔落或毀損，或可能導致損壞和人員受傷。

小心不要觸摸手動裁刀，以免手指受傷

- 取出已列印的紙張時
- 執行其他操作（如將紙卷置入或更換紙卷）時

為保證安全，長時間不使用印表機時，應將印表機的電源線拔出。

注意標籤

產品上的注意標籤表示下列注意事項。



注意：

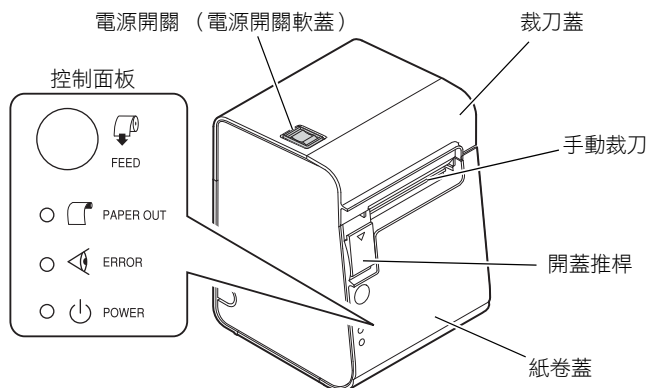
列印時和列印後，熱感印字頭可能非常熱。觸摸印字頭可能造成燙傷。

開箱

檢查是否包含下列項目。如果任何項目受到損壞，請與經銷商聯繫。

- 印表機
- 電源開關蓋
- 使用說明書（本說明書）

印表機零件



控制面板

電源 (POWER) 指示燈

電源開啟時亮起，電源關閉時熄滅。

錯誤 (ERROR) 指示燈

印表機連線時熄滅，印表機離線時亮起，發生錯誤時閃爍。

缺紙 (PAPER OUT) 指示燈

紙卷缺紙時亮起。

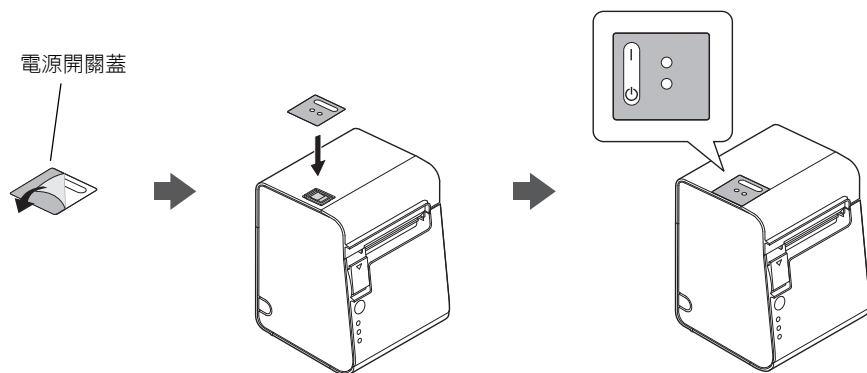
送紙 (FEED) 鍵

按下此鍵的時候將印表機連接至電源，即可開始自檢。（請參見第 33 頁的“執行自檢”。）

安裝電源開關蓋

附帶的電源開關蓋是為了防止意外按下電源開關。

在電源開關蓋內的孔中插入原子筆等尖頭物體，以打開和關閉電源開關。



警告：

在電源開關蓋蓋上的狀態下發生任何故障時，請立即拔出電源線。繼續使用有可能導致火災或觸電。

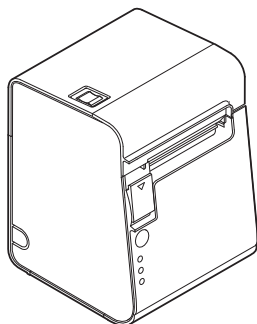


注意：

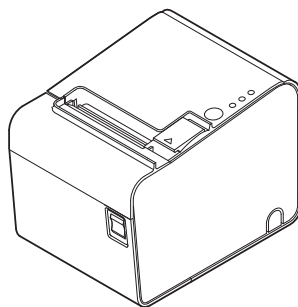
請勿去掉電源開關軟蓋。

將印表機安裝在垂直或水平方向

您可以將印表機安裝在垂直方向（出紙口在前面）或水平方向（出紙口在上面）。



垂直方向

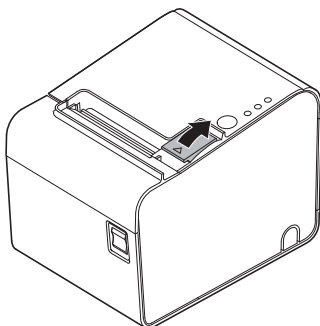


水平方向

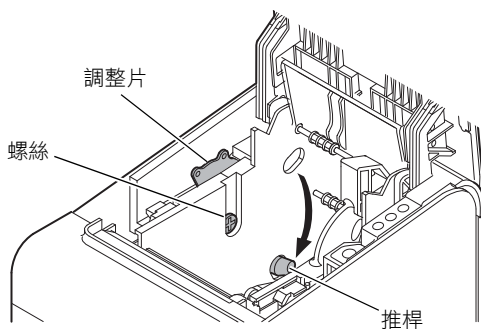
調整紙卷近端感應器

若要將印表機安裝在水平方向，請按照下列步驟調整紙卷近端感應器的位置。

1. 用開蓋推桿打開紙卷蓋。



2. 用硬幣或類似工具鬆開螺絲，然後轉動至少 3 或 4 次。
3. 將推桿推到孔時，轉動調整片，直到推桿被設在如下圖所示的位置。
4. 緊固螺絲並確定推桿移動順暢。



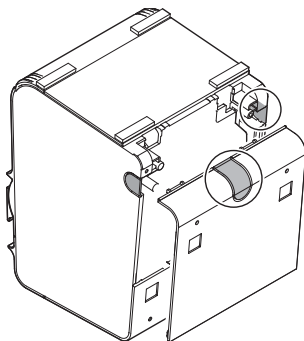
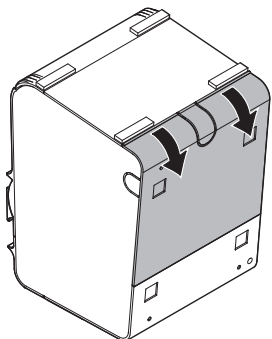
連接連接線



注意：

戶外安裝網路線時，務必通過有防突波保護的裝置連接，使無適當防突波保護的裝置能得到緩衝。否則，裝置可能被雷電摧毀。

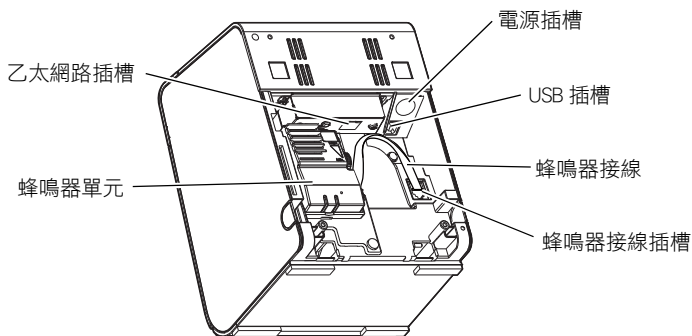
1. 按照下圖所示放置印表機。
2. 如左下圖所示，朝箭頭方向拉動印表機的底蓋，以將其拆下。
3. 用手將右下圖中圓圈所示三個部分的擋板擊穿，以便連接線從其中穿過。



4. 將連接線連接至印表機。
各插槽位置請參見下面的插圖。

註：

請勿將蜂鳴器接線從插槽取下。蜂鳴器接線斷開時，不能操作印表機。



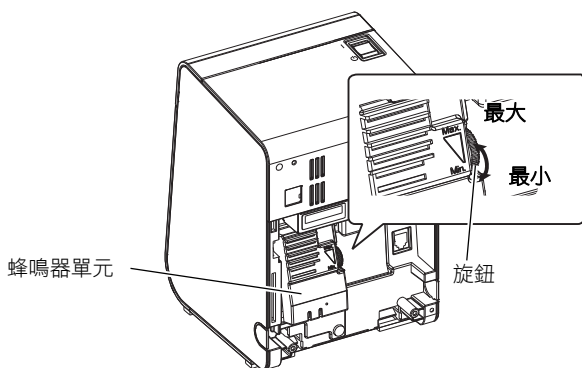
5. 將印表機連接至主電腦和電源。
6. 第一次安裝印表機時，在裝回底蓋前，請參見第 27 頁的“調整蜂鳴器音量”。

調整蜂鳴器音量

註：

若要停用蜂鳴器或變更蜂鳴器模式，請使用記憶開關應用程式設定記憶開關。

1. 拆下印表機底蓋，然後按照下圖所示放置印表機。
2. 確定未安裝紙卷，紙卷蓋已蓋上，且印表機電源開啟。
3. 聽到蜂鳴器發出缺紙錯誤訊號時，請轉動蜂鳴器單元上的旋鈕以調整蜂鳴器音量。

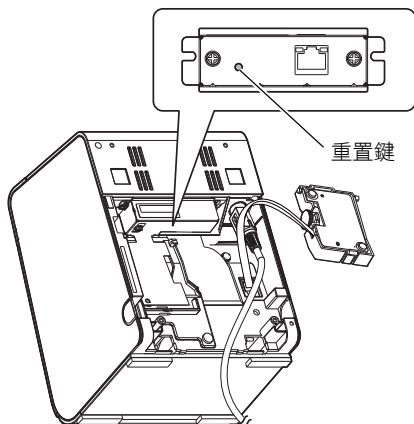


4. 安裝紙卷。(請參見第 29 頁的“安裝或更換紙卷”。)
5. 將蓋板裝在印表機後側。

使用重置鍵

重置鍵可用於介面設定的列印及初始化。

使用該鍵時，請拆下蜂鳴器單元。



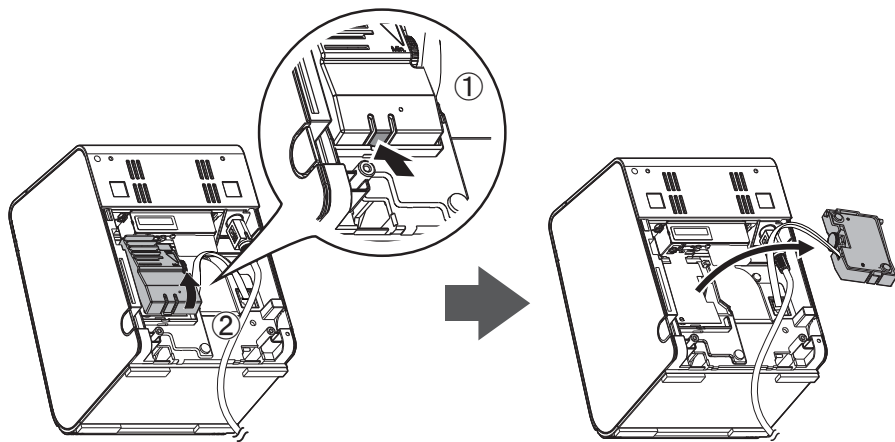
蜂鳴器單元的拆卸與安裝

蜂鳴器單元的拆卸與安裝方法如下圖所示。

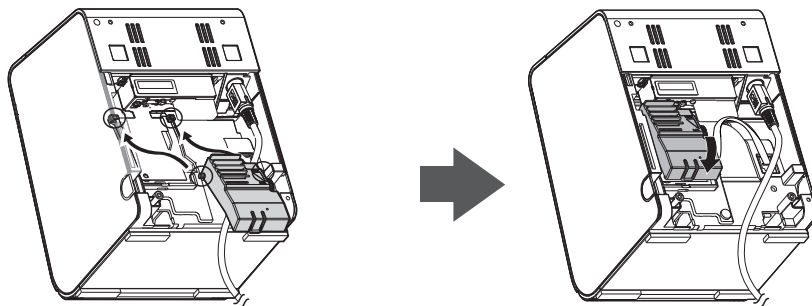
註：

請勿將蜂鳴器接線從插槽取下。蜂鳴器接線斷開時，不能操作印表機。

< 拆卸 >



< 安裝 >



列印介面設定

1. 關閉印表機電源並確認紙捲已安裝。
2. 將蜂鳴器接線保持連接狀態，並取下蜂鳴器單元。
3. 打開印表機電源。
4. 按下重置鍵。
印表機會列印介面設定。

介面設定的初始化

1. 關閉印表機電源。
2. 將蜂鳴器接線保持連接狀態，並取下蜂鳴器單元。
3. 長按重置鍵開啟印表機電源。
4. 介面設定會初始化。

安裝或更換紙卷



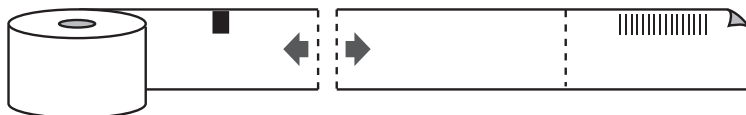
注意：

請使用符合規格的紙卷。否則印表機會進入錯誤狀態。

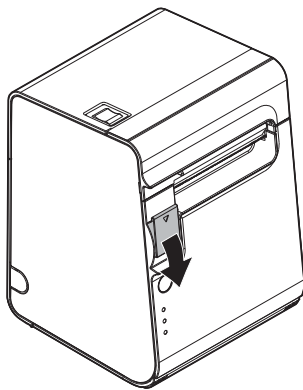
置入全新的紙卷時與置入用過的紙卷時，打開印表機電源所用的時間不同。請按照下列步驟操作。

置入全新的紙卷

1. 關閉印表機電源。
2. 若要使用全新的紙卷，請從第二條穿孔線撕掉紙卷末端，如下圖所示。

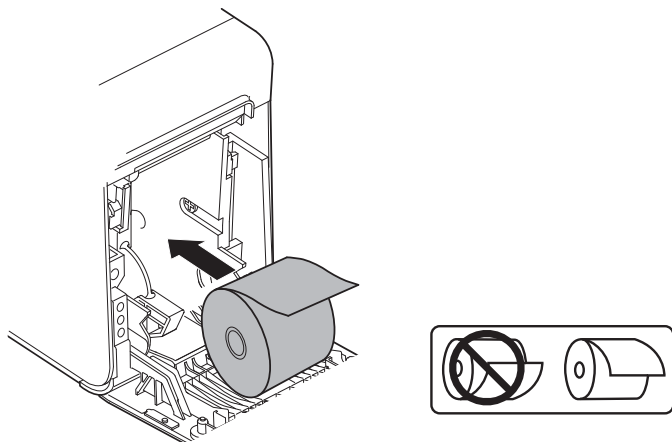


3. 用開蓋推桿打開紙卷蓋。

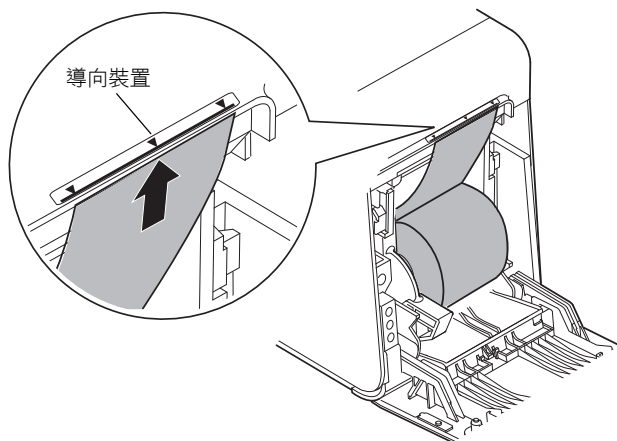


4. 拿出舊的紙卷芯（若有）。
5. 打開印表機。

6. 以正確的方向裝入紙卷。



7. 拉出紙張邊緣，使其與裁刀蓋的導向裝置對齊，然後蓋上紙卷蓋。將自動送入並裁切紙張。



註：

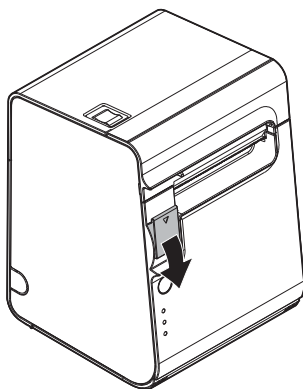
若非必要，請勿重新安裝紙卷或打開 / 蓋上紙卷蓋。

請按壓紙卷蓋中央，將其關緊。

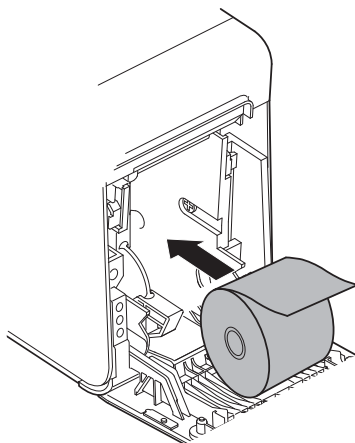
印表機無法正確偵測紙卷上的黑色標誌時，印表機會進入錯誤狀態。在此情況下，請重新正確安裝紙卷。

置入用過的紙卷

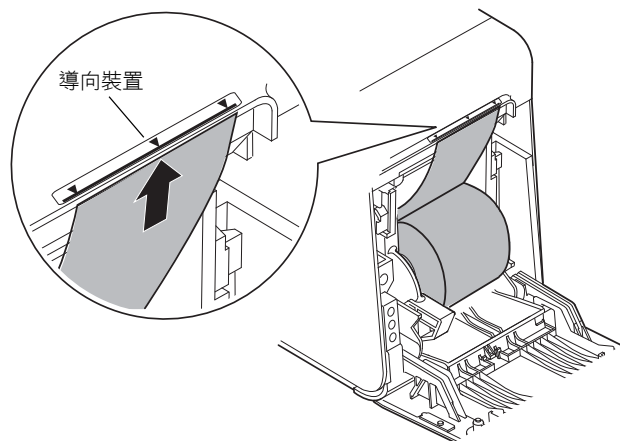
1. 關閉印表機電源。
2. 請確定用過的紙捲在正確的位置被裁切。
3. 用開蓋推桿打開紙卷蓋。



4. 拿出舊的紙卷芯（若有）。
5. 以正確的方向裝入紙卷。



6. 拉出紙張邊緣，使其與裁刀蓋的導向裝置對齊，然後蓋上紙卷蓋。



7. 打開印表機。
將自動送入並裁切紙張。

註：

若非必要，請勿重新安裝紙卷或打開 / 蓋上紙卷蓋。

請按壓紙卷蓋中央，將其關緊。

印表機無法正確偵測紙卷上的黑色標誌時，印表機會進入錯誤狀態。在此情況下，請重新正確安裝紙卷。

清潔

清潔印表機殼

清潔印表機殼時，請關閉印表機電源，並用乾布或微濕的布擦去印表機殼上的髒污。



注意：

切勿使用酒精、汽油、稀釋劑或其他溶劑來清潔設備。否則可能使塑膠和橡膠部件損壞或斷裂。

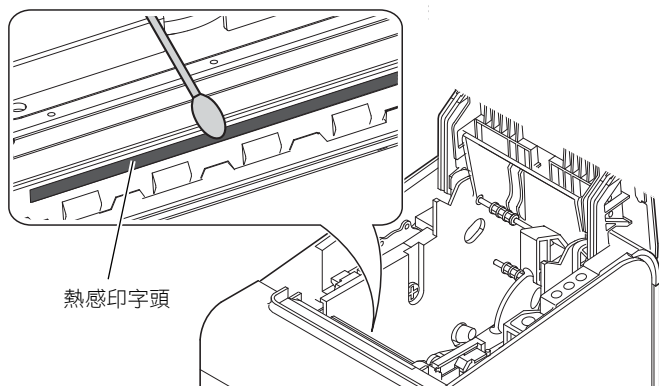
清潔熱感印字頭

⚠️ 注意：

列印後熱感印字頭會變得非常燙。請勿觸碰，應待其冷卻後再進行清潔。請勿以手指或其他硬物碰觸以免損壞熱感印字頭。

關閉印表機，打開紙卷蓋，使用沾有稀釋酒精（乙醇或異丙醇）的棉花棒清潔熱感印字頭感熱元件。

Epson 建議定期清潔熱感印字頭（通常每 3 個月一次），以保證收據的列印品質。



執行自檢

在自檢模式中，印表機將執行一系列的內部診斷，然後提供印表機設定清單。請求技術支援時，對照自檢清單可加快故障排除過程。

按照下列步驟開始自檢。

1. 確定印表機中已裝入紙卷。
2. 關閉印表機電源。
3. 按住送紙（FEED）鍵，然後開啟印表機電源。
4. 當印表機開始列印時，放開送紙（FEED）鍵。
將列印自檢資訊，並且缺紙（PAPER OUT）指示燈將閃爍。
5. 您可以關閉印表機電源後再開啟以終止自檢，或是按下送紙（FEED）鍵以繼續進行列印測試，之後將列印 "**** completed ****"，此時印表機會重置並準備就緒。

故障排除

列印成品模糊

列印成品模糊時，熱感印字頭可能有粘膠或其他異物。清潔熱感印字頭時，請參見第 33 頁的“清潔熱感印字頭”。

錯誤 (ERROR) 指示燈亮起或閃爍

- ❑ 確定紙卷蓋已蓋上，並檢查缺紙 (PAPER OUT) 指示燈。如果有需要的話，請蓋上紙卷蓋或更換紙卷。
- ❑ 如果印表機列印數量甚多，熱感印字頭可能過熱。請等印字頭冷卻。印表機會自動恢復列印。
- ❑ 打開紙卷蓋，檢查是否夾紙。如果發生夾紙或紙卷蓋不能打開，請參見以下部分的說明。
- ❑ 關閉印表機並重新打開電源。若指示燈仍在閃爍，請通知管理員。印表機可能需要維修。

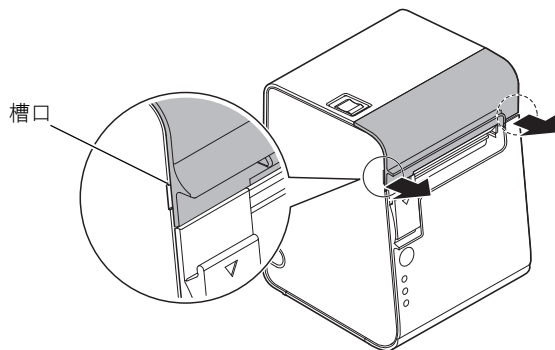
夾紙

關閉電源，打開紙卷蓋並取出夾住的紙。然後正確地安裝紙卷。若紙卷蓋不能打開，請參見以下部分。

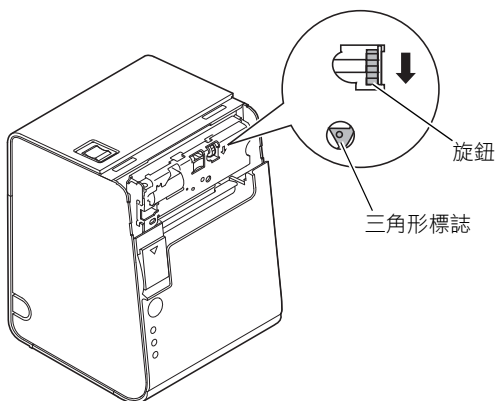
紙卷蓋不能打開

若紙卷蓋不能打開，請按照以下步驟。

1. 關閉印表機電源。
2. 將螺絲起子一類的工具插入印表機兩邊的槽口，然後朝箭頭方向將外蓋向上提取以拆下。



3. 用原子筆或鑷子朝箭頭方向轉動旋鈕，直到在開口處看到一個三角形標誌。



TM-L90 規格

列印方式	熱感式
點密度	203 dpi x 203 dpi [點 / 25.4 mm {1"}]
列印寬度	55 mm, 440 點位置
紙張尺寸	59 ± 0.5 mm
感熱紙種類	台灣便利商店用感熱紙
介面	乙太網路 (10BASE-T/100BASE-TX)
電源 *1	DC+24 V ± 7%
電流損耗	約 1.8 A
溫度	操作時: 5 至 45°C {41 至 113°F} 存放時: -10 至 50°C {14 至 122°F}
溼度	10 至 80%
外部尺寸	148 x 140 x 203 mm (高 x 寬 x 長)
重量 (質量)	約 1.9 kg

dpi: 點 / 25.4 mm (每英寸內的點數)

*: 請務必使用滿足下列規格並符合安全標準的電源。

額定輸出: 24V/2.0-10.0A

最大輸出: 240 VA 以下

Printed in China